

MP6445

KEY	PART NO.	PART NAME	QTY	REMARKS
1	M87810	FLANGE	1	
2	19M7774	SCREW	2	M6 X 12
3	CH10568	PACKING	2	
4	30M7023	PLUG	2	(SUB FOR CH10642)
5	M806843	PLUG	1	(SUB FOR CH10640)
6	CH17101	PLUG	4	
7	M800013	BUSHING	1	CAMSHAFT
8	M800006	DOWEL PIN	2	
9	M800002	PLUG	2	
10	M89140	SHAFT	1	IDLE GEAR
11	19M7774	SCREW	3	M6 X 12
12	M89139	PLATE	1	IDLE GEAR SHAFT
13	CH16769	SNAP RING	1	NLA, STANDARD
14	AM875059	BEARING KIT	4	STANDARD
14	AM875026	BEARING KIT	4	0.25MM, UNDERSIZE
15	M800012	BOLT	8	
16	CH15495	GUIDE	1	DIPSTICK
17	DIPSTICK	1	(NOT USED THIS APPLICATION - USED ONLY ON THE 322 TRACTOR)
18	M802068	DIPSTICK	1	NLA
19	CH15478	PLUG	1	
20	CH10314	PLUG	2	
21	AM100800	DRAIN VALVE	1	(INCLUDES COCK BODY AND VALVE)
22	M802254	PIN	2	
23	M802255	PIN	2	
24	M809526	SWITCH	1	OIL PRESSURE (SUB FOR CH15500)
25	AM875060	BEARING KIT	2	
26	AM875018	CYLINDER BLOCK	1	(SUB FOR AM876029)
..	AM103886	GASOLINE ENGINE	1	COMPLETE (SUB FOR AM104509)
..	AM878310	SHORT BLOCK ASSEMBLY	1	NLA; ORDER MIA882701 , ALSO ORDER CH15495; SUB FOR AM103886
..	MIA882701	SHORT BLOCK ASSEMBLY	1	

<https://www.ebooklibonline.com>

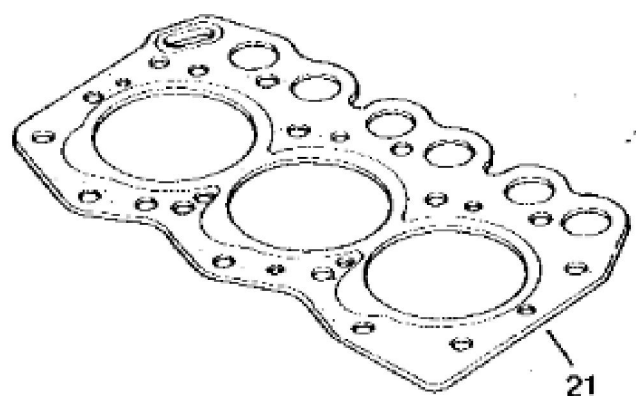
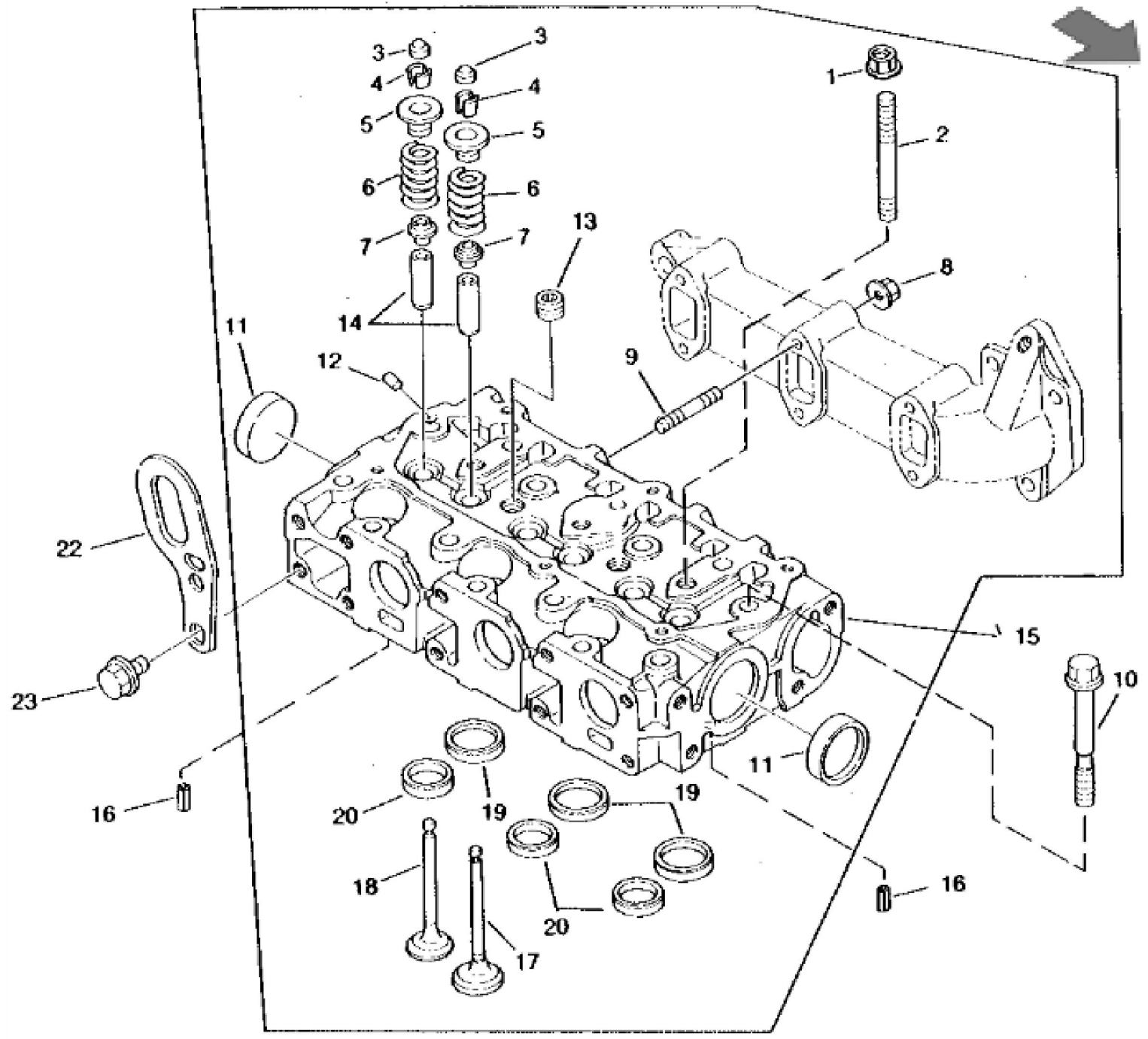
Hello dear friend!

Thank you very much for reading.

Enter the link into your browser.

The full manual is available for immediate download.

<https://www.ebooklibonline.com>



MP4926

KEY	PART NO.	PART NAME	QTY	REMARKS
1	14M7298	FLANGE NUT	2	M8
2	M87836	STUD	2	ARM SUPPORT
3	M800023	CAP	6	
4	AM878864	RETAINER	6	VALVE (PKG OF 2 SIDES), (SUB FOR M800021)
5	M800020	HOLDER	6	
6	M800019	SPRING	6	
7	M800022	SEAL	6	NLA; ORDER MIU801996; VALVE STEM
7	MIU801996	SEAL	6	
8	14M7303	FLANGE NUT	2	M6
9	M800034	STUD	2	M6 X 40
10	M800003	BOLT	14	CYLINDER HEAD
11	CH17438	PLUG	2	
12	M87831	PLUG	1	M5 X 8
13	CH16747	PLUG	2	1/4"
14	M800067	GUIDE	6	
15	AM876167	CYLINDER HEAD	1	(SUB FOR AM876031)
16	CH18079	SPRING PIN	2	M6 X 12
17	M800017	INTAKE VALVE	3	
18	M802058	EXHAUST VALVE	3	NLA
19	M802056	VALVE SEAT	3	NLA; INTAKE VALVE
20	M802057	VALVE SEAT	3	EXHAUST VALVE
21	M805817	ENGINE CYLINDER HEAD GASKET	1	(BETWEEN CYLINDER HEAD AND BLOCK) (SUB FOR M802050)
22	MIU800461	BRACKET	1	(SUB FOR M800066)
23	19M7865	SCREW	2	M8 X 16



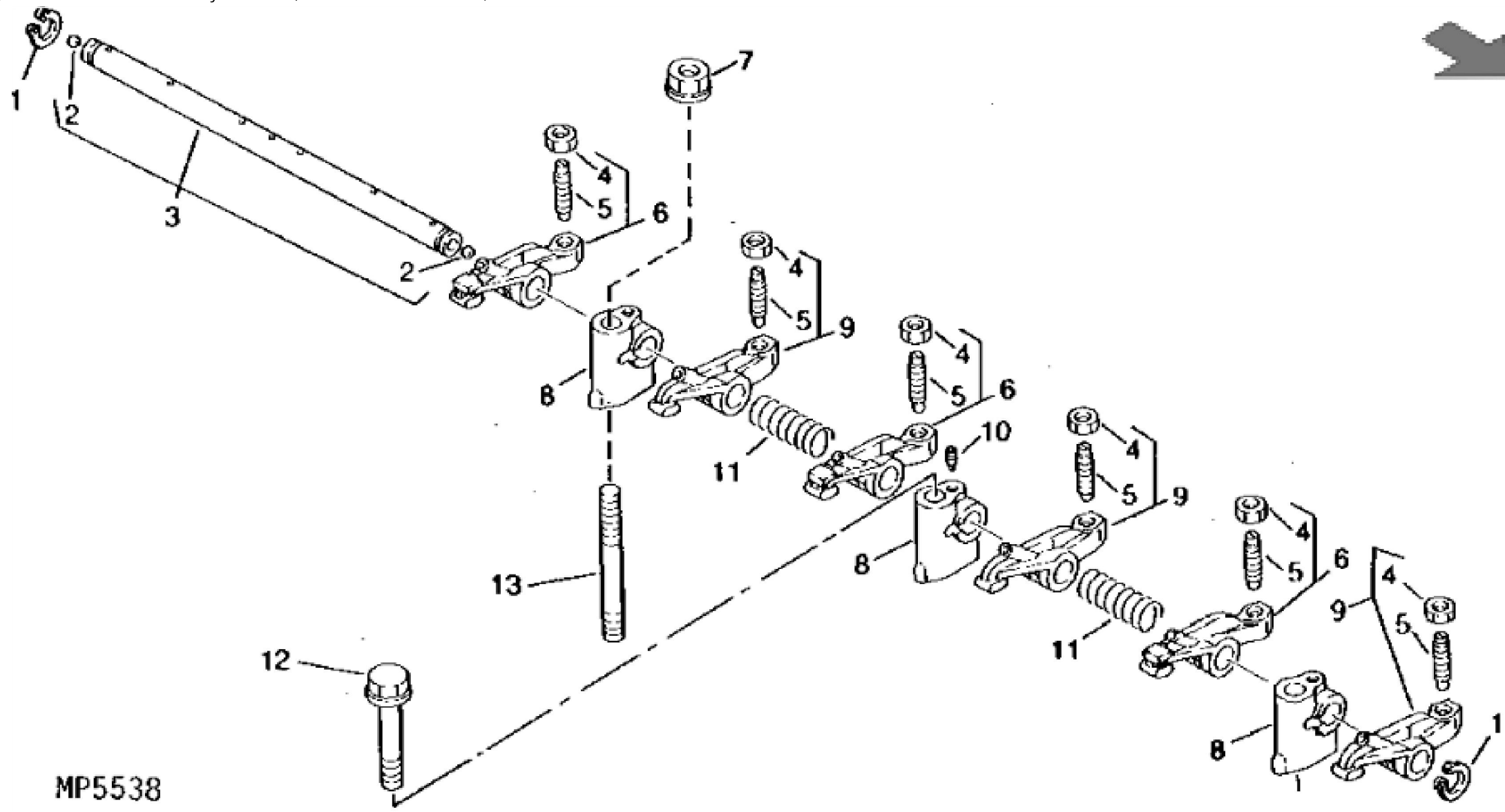
Suggest:

For more complete manuals. Please go to the home page.

<https://www.ebooklibonline.com>

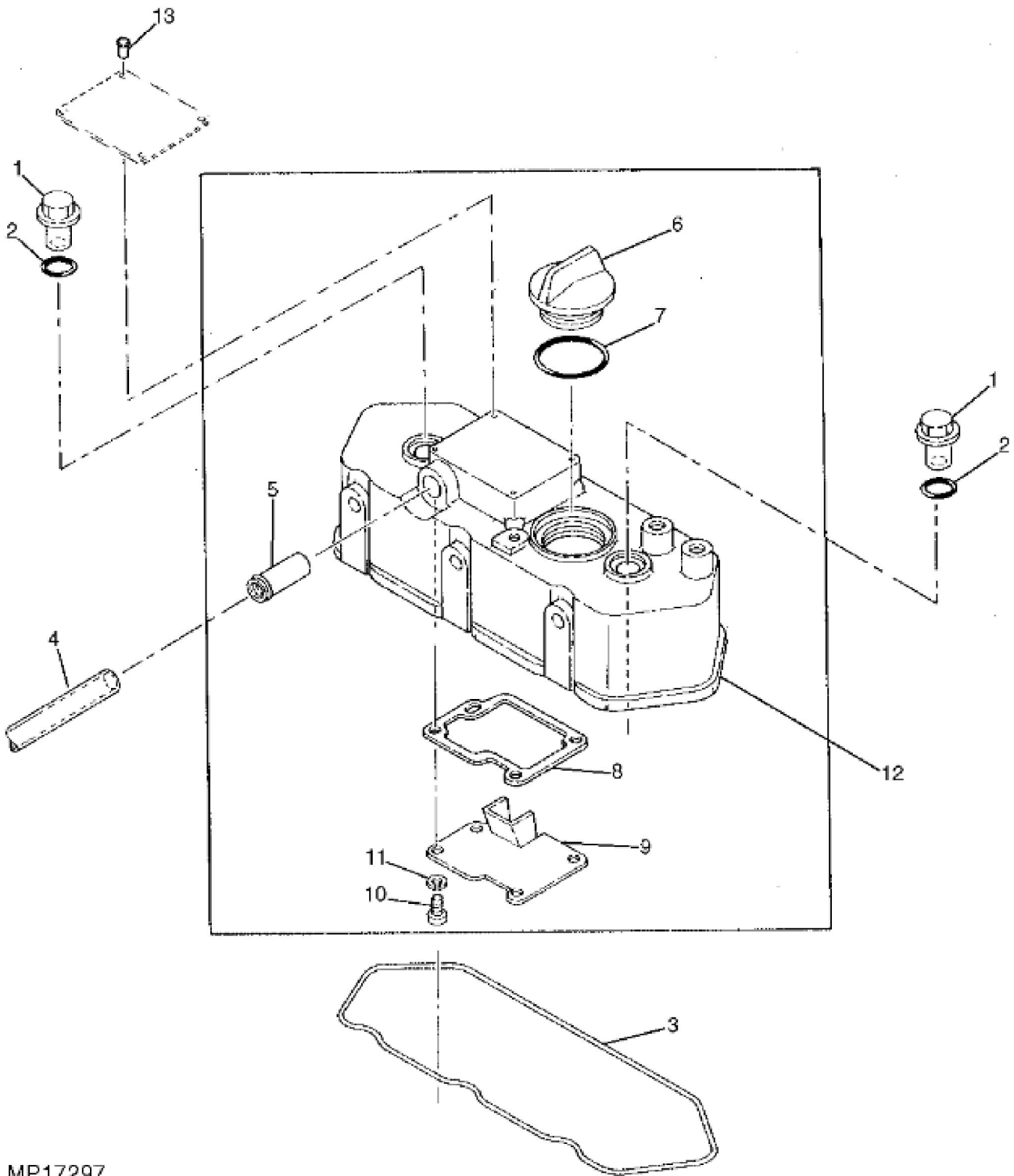
If the above button click is invalid. Please download this document first, and then click the above link to download the complete manual.

Thank you so much for reading



MP5538

KEY	PART NO.	PART NAME	QTY	REMARKS	
1	CH17950	RING	2		
2	BALL	2	(PRESSED IN SHAFT)	
3	AM875002	ROCKER ARM SHAFT	1	ASSEMBLY (INCLUDES BALL)	
4	14M7194	NUT	6	M6	
5	M87841	SCREW	6		
6	AM875029	ROCKER ARM	3	EXHAUST	
7	14M7298	FLANGE NUT	2	M8	
8	M800024	SUPPORT	3		
9	AM875028	ROCKER ARM	3	INTAKE	
10	M800069	SELF-LOCKING SCREW	1		
11	M800025	SPRING	2		
12	CH19101	BOLT	1		
13	M87836	STUD	2	ARM SUPPORT	



MP17297

<https://www.ebooklibonline.com>

Hello dear friend!

Thank you very much for reading.

Enter the link into your browser.

The full manual is available for immediate download.

<https://www.ebooklibonline.com>