

KEY	PART NO.	PART NAME	QTY	REMARKS
1	M118834	TUBE	1	NLA
2	M77734	CLAMP	2	
3	M76125	VALVE	1	
4	M76124	PLATE	1	
5	M95848	SCREW	1	SUB FOR M97314
6	M114464	GASKET	1	SUB FOR M97312
7	M97314	COVER	1	
8	19M7865	SCREW	4	M8 X 16
9	MIU11358	GASKET	2	SUB FOR M76072
10	AM109415	GASKET KIT	1	Rocker Case And Gasket
11	M76073	BUSHING	8	
12	19M7863	SCREW	8	M6 X 25
13	MIU11988	BOLT	10	SUB FOR M118772
14	M131853	BOLT	2	SUB FOR M123635
15	M97309	ENGINE CYLINDER HEAD GASKET	2	
16	M70227	PIN	6	
17	M139489	CYLINDER HEAD	1	SUB FOR M97311
18	MIU12135	BEARING	1	SUB FOR M97316
19	MIA12865	CRANKCASE	1	SUB FOR AM126299
20	M76154	SEAL	2	SUB FOR (2) M76128
21	19M7864	SCREW	2	M8 X 12
22	MIU14495	GASKET	2	SUB FOR M76150
23	M139016	GASKET	1	SUB FOR M117934; ALSO ORDER M76103 AND M76104
24	MIU14322	COVER	1	SUB FOR M132671
25	19M8318	SCREW	6	M8 X 45
26	M139490	BOLT	2	SUB FOR (2) M94242
27	M139488	CYLINDER HEAD	1	SUB FOR M97310
28	M76071	CASE	1	
29	M131853	BOLT	2	SUB FOR M123635
30	M88987	SEAL	1	
31	M121998	DIPSTICK TUBE	1	SUB FOR M115402
32	M117034	O-RING	1	
33	M127431	ADAPTER FITTING	1	
34	M138625	PIN	1	

**<https://www.ebooklibonline.com>**

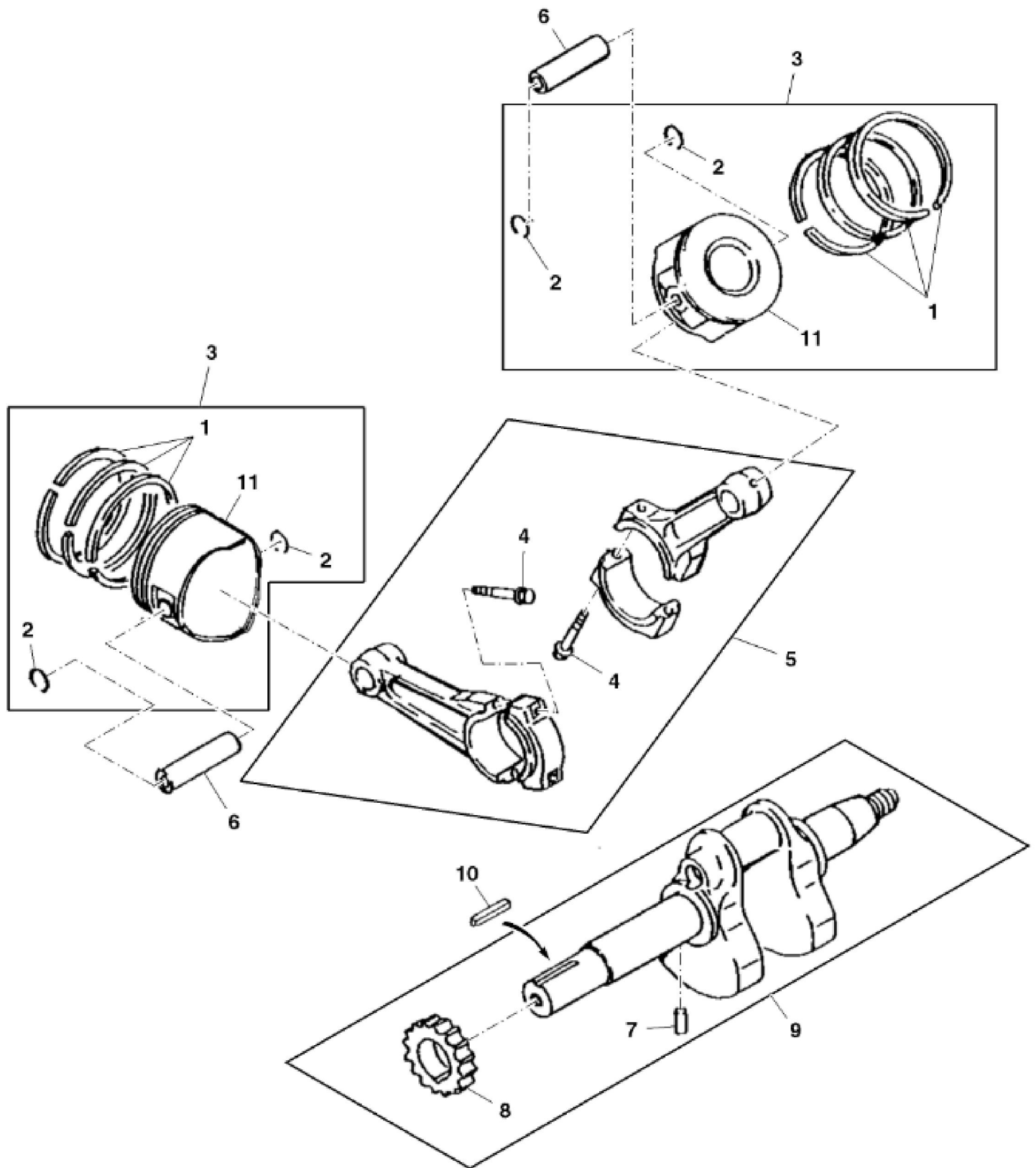
Hello dear friend!

Thank you very much for reading.

Enter the link into your browser.

The full manual is available for immediate download.

**<https://www.ebooklibonline.com>**



KEY	PART NO.	PART NAME	QTY	REMARKS
1	M97319	PISTON RING KIT	2	Standard
1	M97328	RING	AR	0.50 (OS)
2	M76120	SNAP RING	2	
3	AM109377	PISTON RING KIT	2	ORDER M76120, M97319 and MIU13854; Standard
3	AM109383	PISTON RING KIT	2	0.50 (OS), ORDER M76120, M97328 and M97331
4	M147310	BOLT	4	SUB FOR PT12040
5	AM133731	CONNECTING ROD	2	SUB FOR AM105565
5	AM106252	CONNECTING ROD	AR	0.50 (US)
5	MIA12487	CONNECTING ROD	2	SUB FOR AM133731
6	M76119	PIN	2	
7	M76122	DOWEL PIN	1	USE WITH AM109385
8	M76121	SPUR GEAR	1	USE WITH AM109385
8	MIU14323	SPUR GEAR	1	ORDER MIA12866
9	MIA12866	CRANKSHAFT	1	SUB FOR AM109385
10	.....	SHAFT KEY	1	MAKE FROM H64374
11	MIU13854	PISTON	2	
11	M97331	PISTON	2	0.05 OS



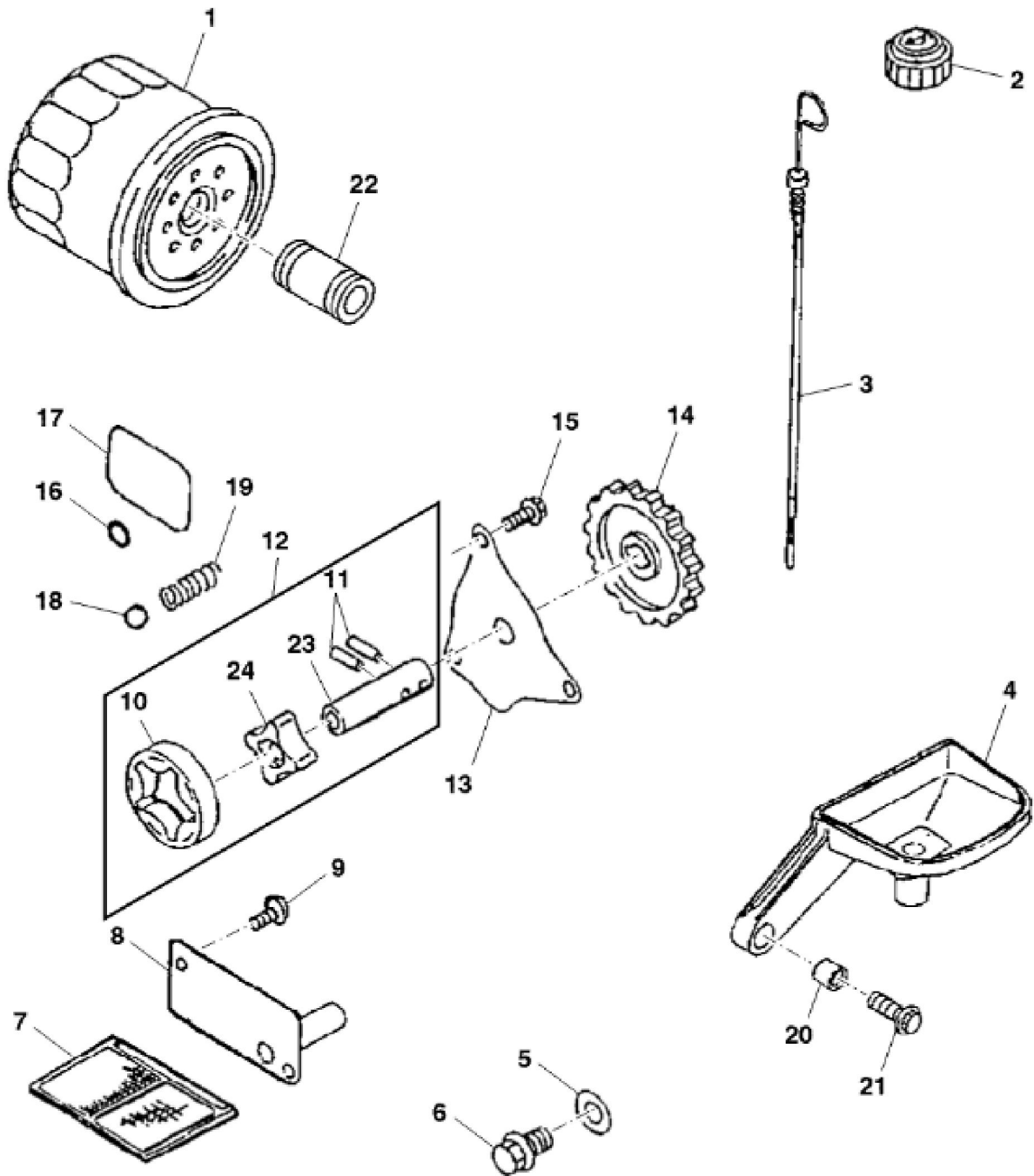
**Suggest:**

**For more complete manuals. Please go to the home page.**

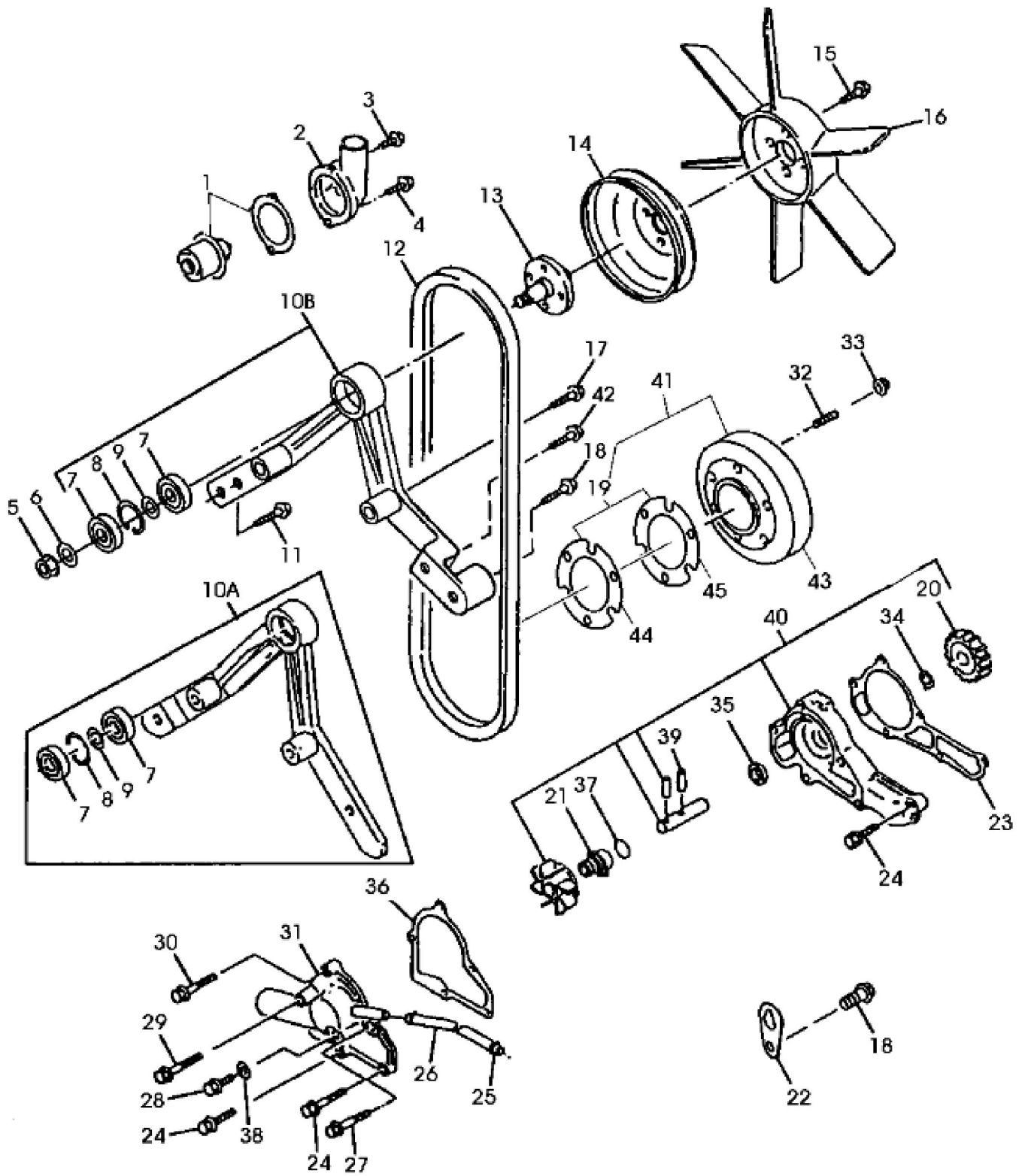
**<https://www.ebooklibonline.com>**

**If the above button click is invalid. Please download this document first, and then click the above link to download the complete manual.**

**Thank you so much for reading**



KEY	PART NO.	PART NAME	QTY	REMARKS
1	AM107423	OIL FILTER	1	
2	M114465	CAP	1	(SUB FOR M97335) (SUB M147324 AND M147334)
3	M121997	DIPSTICK	1	(SUB FOR M97336 OR M121179)
4	M79373	TRAY	1	
5	M113678	GASKET	1	(A)
5	M76158	GASKET	1	(A)
5	M88482	GASKET	1	(A)
5	PT13876	GASKET	1	(A)
6	PT14207	DRAIN PLUG	1	(A)
7	M96765	SCREEN	1	
8	M97334	PLATE	1	
9	21M7265	SCREW	2	M5 X 12
10	M76141	ROTOR	1	Outer
11	M127265	DOWEL PIN	2	(SUB FOR M76099)
12	AM109371	ROTOR KIT	1	NLA; INCLUDES (2) M127265, M76140, M76141 AND MIU10853; Rotor Pump
13	M76101	COVER	1	
14	M76098	GEAR	1	
15	19M7775	SCREW	3	M6 X 16
16	M76104	O-RING	1	
17	M76103	O-RING	1	
18	M76105	BALL	1	
19	M76102	SPRING	1	
20	M114466	BUSHING	2	
21	19M7866	SCREW	2	M8 X 20
22	M127431	ADAPTER FITTING	1	
23	MIU10853	SHAFT	1	(SUB FOR M76142)
24	M76140	ROTOR	1	Inner
..	AM109035	KIT	1	(NLA), PLUG, (INCLUDES PARTS MARKED WITH (A))



PU00437

**<https://www.ebooklibonline.com>**

Hello dear friend!

Thank you very much for reading.

Enter the link into your browser.

The full manual is available for immediate download.

**<https://www.ebooklibonline.com>**