

7125

| KEY | PART NO. | PART NAME | QTY | REMARKS |
|-----|------------|-------------|-----|------------------------------------------------|
| 1 | HE104-0170 | SCREW | 1 | 7/16" - 14 X 4 |
| 2 | 12H293 | LOCK WASHER | 1 | 7/16" |
| 3 | 24H1329 | WASHER | 1 | 15/32" X 1-1/4" X 1/4" |
| 4 | HE134-3847 | VENTURI | 1 | (SUB FOR HE134-4251) |
| 5 | HE134-4641 | FLYWHEEL | 1 | NLA (SUB FOR HE134-3938) (INCLUDES RING GEAR) |
| 6 | U11030 | SNAP RING | 1 | (SUB FOR HE518-0014) |
| 7 | HE104-0043 | WASHER | 1 | |
| 8 | HE104-0032 | GEAR | 1 | |
| 9 | | SHAFT KEY | 1 | (MAKE FROM H64376) (SUB FOR M84986) PTO CLUTCH |
| 10 | HE104-1700 | CRANKSHAFT | 1 | (INCLUDES 26H70) (SUB FOR HE104-1442) |
| 11 | 26H70 | SHAFT KEY | 1 | 1/8" X 1/2" |
| 12 | 26H11 | SHAFT KEY | 1 | 3/16" X 5/8", (SUB FOR HE515-0227) FLYWHEEL |
| 13 | 19H1227 | CAP SCREW | 5 | 1/4" X 1/2" |
| 14 | HE104-1694 | SPACER | 1 | (USED ON BLOCK MARKED 110-3421-01) |

<https://www.ebooklibonline.com>

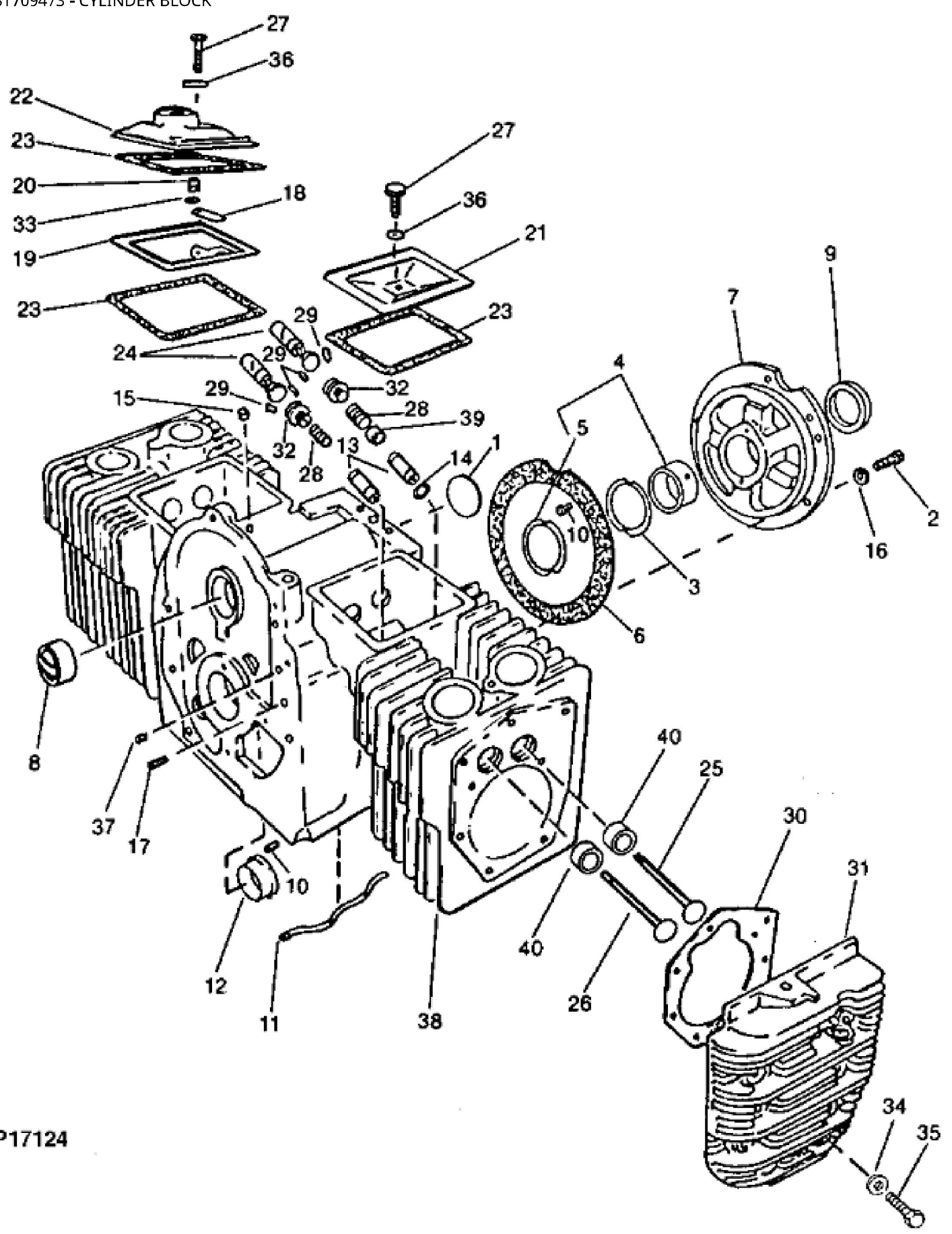
Hello dear friend!

Thank you very much for reading.

Enter the link into your browser.

The full manual is available for immediate download.

<https://www.ebooklibonline.com>



MP17124



Suggest:

For more complete manuals. Please go to the home page.

<https://www.ebooklibonline.com>

If the above button click is invalid. Please download this document first, and then click the above link to download the complete manual.

Thank you so much for reading

| KEY | PART NO. | PART NAME | QTY | REMARKS |
|-----|------------|---------------|-----|--------------------------------------------------------------|
| 1 | HE517-0048 | PLUG | 1 | CAMSHAFT EXPANSION |
| 2 | 19H1732 | CAP SCREW | 5 | 3/8" X 1-1/4", (2 MUFFLER) (5 PLATE) |
| 3 | HE104-0776 | SHIM | AR | .005 CRANKSHAFT |
| 4 | HE101-0804 | BEARING KIT | 1 | STD (SUB FOR HE101-0450) (REAR) |
| 4 | HE10241 | BEARING | 1 | .002" UNDERSIZE, (REAR) |
| 4 | HE10242 | BEARING | 1 | .010" UNDERSIZE, (REAR) |
| 4 | HE10243 | BEARING | 1 | .020" UNDERSIZE, (REAR) NLA |
| 4 | HE10244 | BEARING | 1 | .030" UNDERSIZE, (REAR) |
| 5 | HE104-0575 | THRUST WASHER | 2 | |
| 6 | HE101-0809 | GASKET | 1 | BEARING PLATE (SUB FOR HE101-0415, HE101-0773 OR HE101-0782) |
| 7 | HE101-0439 | PLATE | 1 | REAR BEARING, NLA |
| 8 | HE101-0405 | BEARING | 2 | CAMSHAFT (SERVICE BEARING NOT AS WIDE AS ORIGINAL) |
| 9 | HE509-0041 | SEAL | 1 | OIL SEAL (CRANKSHAFT) |
| 10 | HE516-0072 | PIN FASTENER | 4 | MAIN BEARING, NLA |
| 11 | HE120-0735 | TUBE | 1 | OIL |
| 12 | HE101-0432 | BEARING | 1 | STD (FRONT) |
| 12 | HE10245 | BEARING | 1 | .002" UNDERSIZE, (FRONT) |
| 12 | HE10246 | BEARING | 1 | .010" UNDERSIZE, (FRONT) |
| 12 | HE11547 | BEARING KIT | 1 | .020" UNDERSIZE, (FRONT) NLA |
| 12 | HE11546 | BEARING KIT | 1 | .030" UNDERSIZE, (FRONT) NLA |
| 13 | HE110-3161 | GUIDE | 2 | (ALSO ORDER HE110-3136) INTAKE VALVE |
| 13 | HE110-1935 | GUIDE | 2 | EXHAUST VALVE |
| 14 | HE110-3136 | GASKET | 2 | (A) (SUB FOR HE110-0068) INTAKE VALVE GUIDE |
| 15 | HE517-0120 | PLUG | 1 | NLA |
| 16 | 12H304 | LOCK WASHER | 5 | 3/8" |
| 17 | HE516-0141 | SPRING PIN | 2 | NLA |
| 18 | HE123-1175 | TUBE | 1 | |
| 19 | AM148495 | DEFLECTOR | 1 | SUB FOR HE123-1173 |
| 20 | HE123-1174 | SPRING | 1 | |
| 21 | HE110-1879 | VALVE COVER | 1 | RH |
| 22 | HE110-2274 | VALVE COVER | 1 | LH |
| 23 | HE110-1921 | GASKET | 3 | |
| 24 | HE115-0006 | TAPPET | 4 | (STD) |
| 24 | AM39508 | TAPPET | 4 | .002" OVERSIZE |

| KEY | PART NO. | PART NAME | QTY | REMARKS |
|-----|------------|-----------------------------|-----|-------------------------------------------------------------|
| 24 | HE10344 | TAPPET | 4 | .005" OVERSIZE, (NO LONGER AVAILABLE) |
| 25 | PT7771 | VALVE | 2 | INTAKE (NO LONGER AVAILABLE) (SUB FOR HE110-2368) |
| 26 | HE110-1955 | EXHAUST VALVE | 2 | |
| 27 | 19H2102 | CAP SCREW | 2 | 1/4" X 1-3/4" |
| 28 | | SPRING | 4 | (A) |
| 29 | HE110-0639 | LOCK | 8 | NLA; (A) |
| 30 | MIU10622 | ENGINE CYLINDER HEAD GASKET | 2 | (REPLACES HE110-3181) |
| 31 | HE110-3509 | CYLINDER HEAD | 1 | RH (SUB FOR HE110-3214) |
| 31 | HE110-3508 | CYLINDER HEAD | 1 | LH (SUB FOR HE110-3213) |
| 32 | HE110-0904 | ROTATOR | 4 | NLA; (A) |
| 33 | 24H1287 | WASHER | 1 | 9/32" X 5/8" X 0.065" |
| 34 | HE526-0122 | WASHER | 18 | |
| 35 | HE800-0540 | CAP SCREW | 8 | |
| 35 | 19H3131 | CAP SCREW | 10 | 5/16" X 2", (SUB FOR HE800-0541) |
| 36 | HE526-0063 | WASHER | 2 | |
| 37 | HE517-0067 | PLUG | 1 | NLA |
| 38 | | CYLINDER BLOCK | 1 | (ORDER AM118175 SHORT BLOCK) (SUB FOR AM105729 OR AM108661) |
| 39 | HE110-3604 | SEAL | 2 | VALVE GUIDE (SUB FOR PT7928) |
| 40 | HE110-1824 | VALVE SEAT INSERT | 2 | STD. (EXHAUST) |
| 40 | HE110-0197 | VALVE SEAT INSERT | 2 | STD. (INTAKE) |
| .. | AM118301 | SPRING KIT | 1 | NLA; (INCLUDES PARTS MARKED (A)) |

<https://www.ebooklibonline.com>

Hello dear friend!

Thank you very much for reading.

Enter the link into your browser.

The full manual is available for immediate download.

<https://www.ebooklibonline.com>