

MP9041

KEY	PART NO.	PART NAME	QTY	Serial No.	REMARKS	
1	AM121297	SHORT BLOCK ASSEMBLY	1	____-090000		
1	AM128736	SHORT BLOCK ASSEMBLY	1	090001-____	(SUB FOR AM109361 OR AM118818 OR AM121297)	
..	AM124764	SHORT ENGINE	1		COMPLETE, AIR-COOLED (CARB CERTIFIED) SUB AM128736) (SUB FOR AM105334, AM121609 OR AM122333)	

<https://www.ebooklibonline.com>

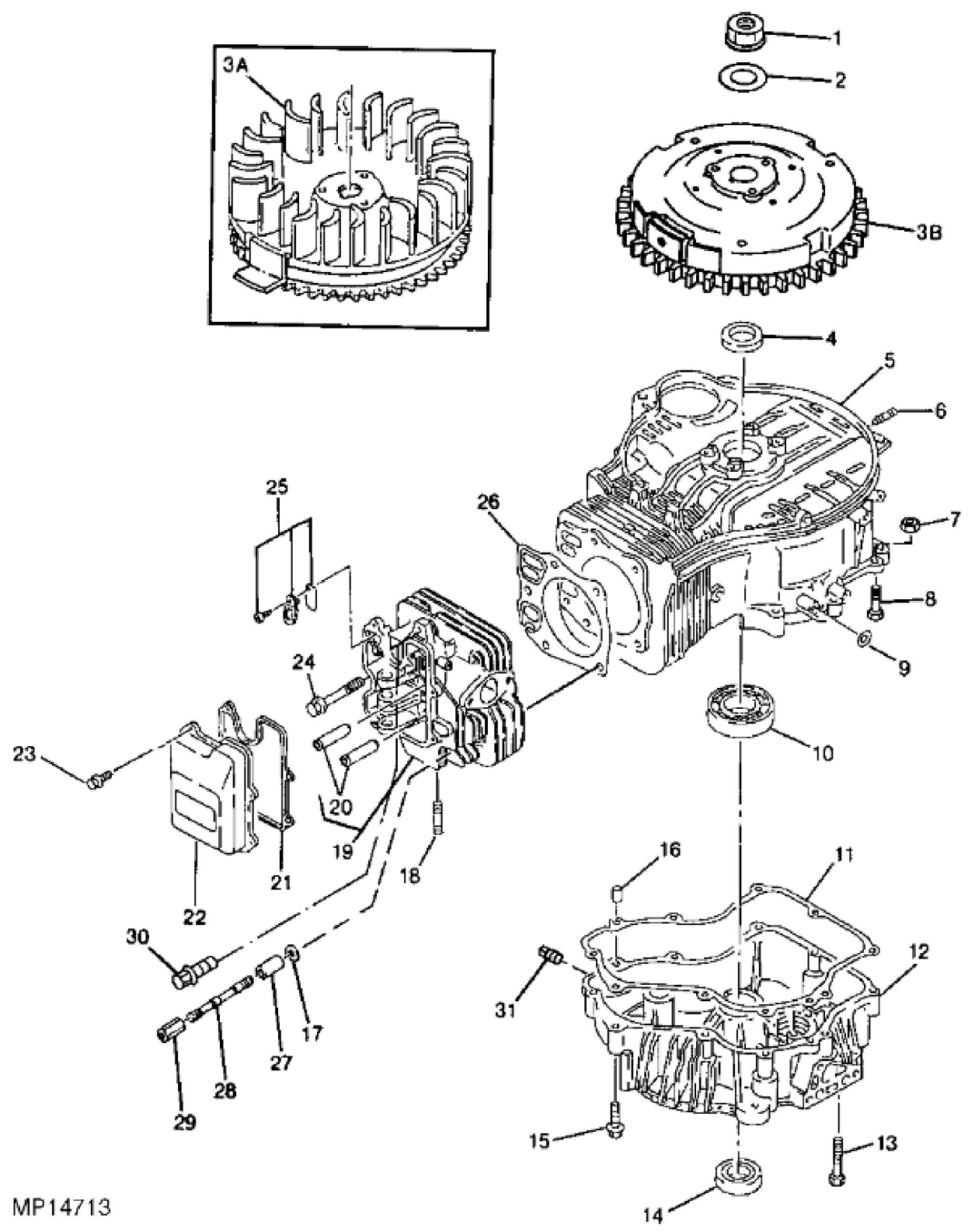
Hello dear friend!

Thank you very much for reading.

Enter the link into your browser.

The full manual is available for immediate download.

<https://www.ebooklibonline.com>



MP14713

KEY	PART NO.	PART NAME	QTY	REMARKS
1	M70119	NUT	1	NLA
2	M70120	WASHER	1	NLA
3A	AM102381	FLYWHEEL	1	NLA; FC540V-AS12
3B	AM122178	FLYWHEEL	1	(FC540V-DS12) (FC540V-ES12) (FC540V-FS12)
4	M88451	SEAL	1	
5	AM101675	CRANKCASE	1	
6	M88447	STUD	4	
7	NUT	1	(NOT USED THIS APPLICATION)
8	19M7867	SCREW	3	M8 X 25, ENGINE TO FRAME
8	19M7897	SCREW	1	M8 X 35, RH FRONT ENGINE TO FRAME
9	M88987	SEAL	1	
10	JD8518	BALL BEARING	1	(SUB FOR M70058 OR CH16424)
11	M120019	GASKET	1	CRANKCASE (SUB FOR M97267 OR M118781)
12	AM117183	COVER	1	CRANKCASE (SUB FOR AM104364)
13	19M7868	SCREW	1	M8 X 30
14	M124523	SEAL	1	(SUB FOR PT13344)
15	19M8318	SCREW	8	M8 X 45
16	M74252	PIN	2	
17	M70016	WASHER	2	
18	MIU11876	BOLT	2	(FC540V-AS12) (SUB FOR PT11965)
18	M117613	STUD	2	(FC540V-DS12) (FC540V-ES12) (FC540V-FS12)
19	AM109087	CYLINDER HEAD	1	
20	M97251	BRACKET	2	VALVE
21	M70018	GASKET	1	ROCKER ARM COVER
22	M70017	COVER	1	ROCKER ARM
23	19M7775	SCREW	4	M6 X 16
24	M77751	BOLT	1	
25	AM109222	VALVE TRAIN KIT	1	VALVE AND PLATE
26	M77752	ENGINE CYLINDER HEAD GASKET	1	HEAD
27	M70015	BUSHING	2	
28	M70013	STUD	2	NLA
29	M70014	NUT	2	
30	M70012	BOLT	4	
31	M123645	DRAIN PLUG	1	NLA; (FC540V-DS12) (FC540V-ES12)



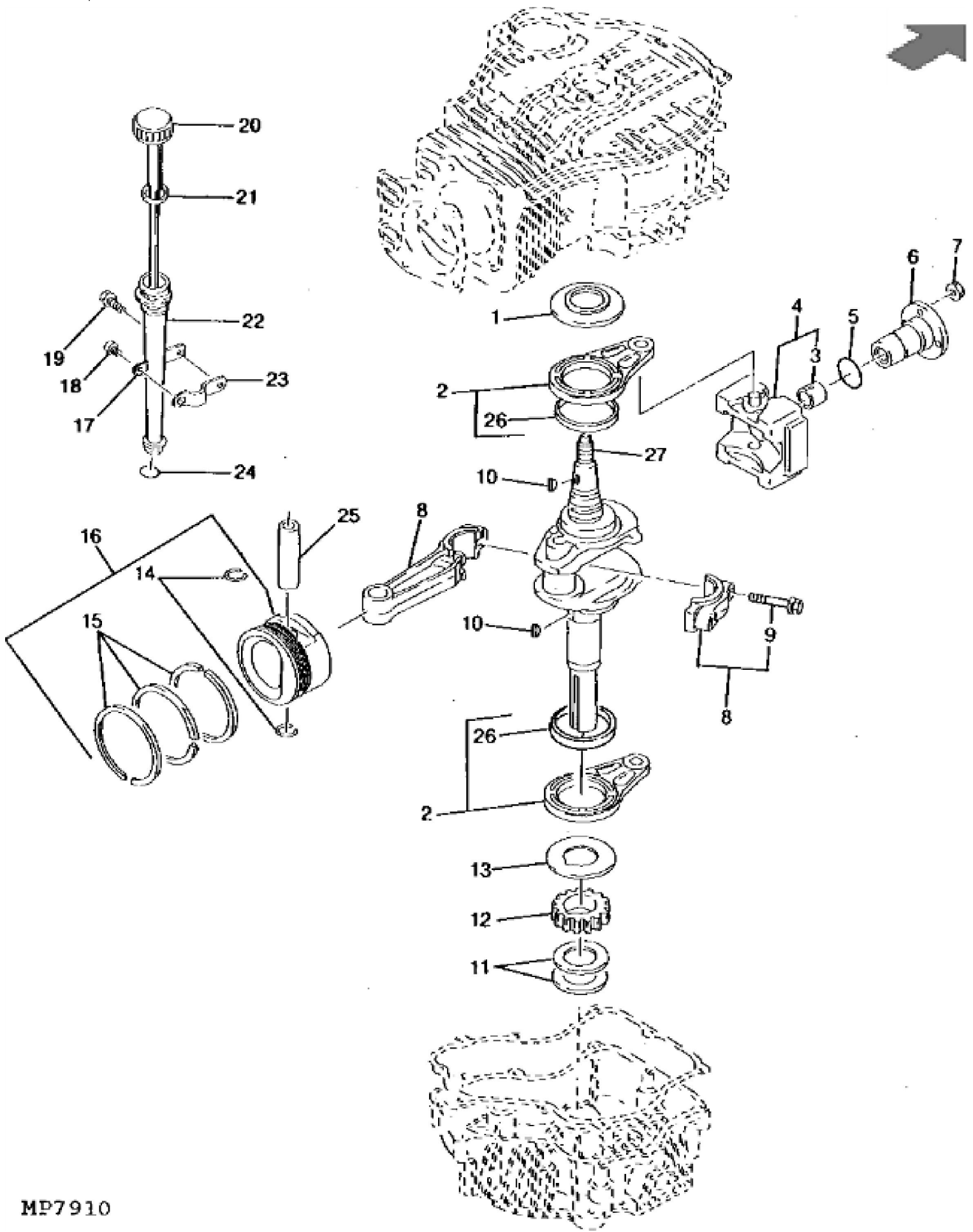
Suggest:

For more complete manuals. Please go to the home page.

<https://www.ebooklibonline.com>

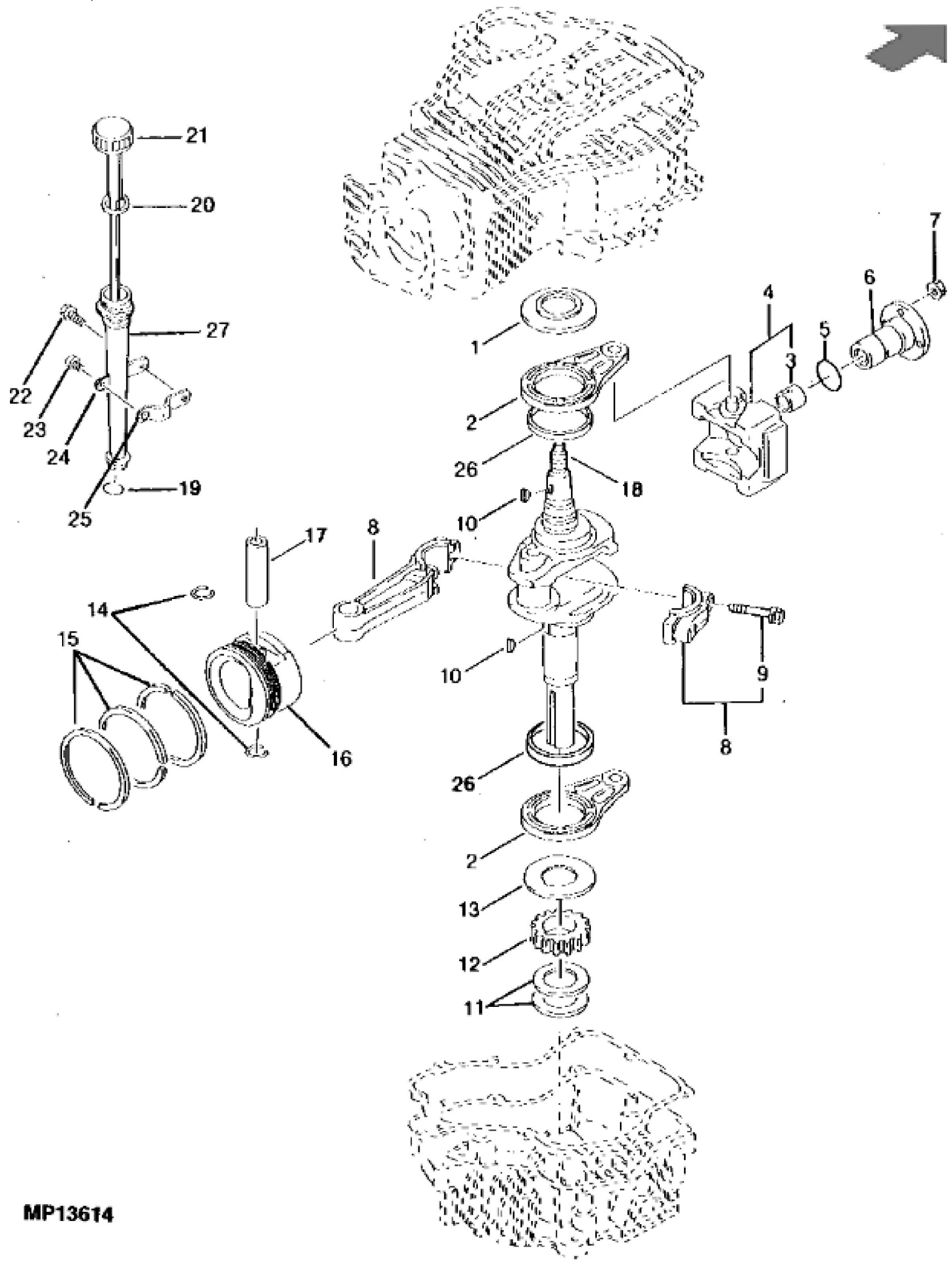
If the above button click is invalid. Please download this document first, and then click the above link to download the complete manual.

Thank you so much for reading



MP7910

KEY	PART NO.	PART NAME	QTY	REMARKS
1	M70055	SPACER	1	
2	AM107952	ROD	2	ASSY
3	M120020	BEARING	1	(SUB FOR M72903)
4	AM119476	WEIGHT	1	(SUB FOR AM105819)
5	M70096	O-RING	1	
6	M70186	SHAFT	1	
7	M70097	NUT	4	
8	AM101674	CONNECTING ROD	1	KIT, STD
8	AM102390	CONNECTING ROD	1	0.50 MM (0.02") US, KIT
9	M95850	PIN	2	
10	M77843	SHAFT KEY	2	
11	AM102397	SHIM KIT	1	SHIM
12	M76982	HELICAL GEAR	1	
13	M70056	SPACER	1	
14	M70053	SNAP RING	2	
15	AM101097	PISTON RING KIT	1	STD
15	AM101099	PISTON RING KIT	1	150.50 MM (0.02") OS, NLA
16	AM109362	PISTON RING KIT	1	STD
16	AM109364	PISTON RING KIT	1	0.50 MM (0.02") OS, NLA
17	M97421	CLAMP	1	NLA
18	21M7288	SCREW	1	M6 X 10
19	19M7775	SCREW	1	M6 X 16
20	AM109257	GAUGE	1	
21	M88482	GASKET	1	
22	M70105	FILLER NECK	1	
23	M97420	CLAMP	1	NLA
24	M88478	O-RING	1	
25	M70052	PISTON PIN	1	
26	M93952	BEARING	2	
27	AM101673	CRANKSHAFT	1	



MP13614

<https://www.ebooklibonline.com>

Hello dear friend!

Thank you very much for reading.

Enter the link into your browser.

The full manual is available for immediate download.

<https://www.ebooklibonline.com>