

MP26176

KEY	PART NO.	PART NAME	QTY	REMARKS
1	M76215	PLUG	1	(ORDER AM131907)
2	R30298	PIPE PLUG	2	
3	MIU11539	SEAL	1	(SUB FOR M132338) (USE WITH MIA11092)
4	MIU11251	DOWEL PIN	6	(SUB FOR M144516)
5	MIU12971	CONNECTING ROD	2	ORDER MIU13923; SUB FOR M134452 OR MIU11256, STD
5	MIU13923	CONNECTING ROD	2	ORDER MIA12812
5	MIA12812	CONNECTING ROD	1	
5	MIA11130	CONNECTING ROD	2	.25 MM (.010") US, SUB FOR M134453 OR MIA10907
6	MIA11220	RING	2	STD, (SUB FOR AM129627)
6	AM129628	RING KIT	2	0.50 MM OS
7	M132341	RETAINER	4	
8	MIA11859	PISTON KIT	2	STD, (SUB FOR AM129625 OR MIA10998)
8	AM129626	PISTON RING KIT	2	0.50 MM OS
9	M118585	SHIM	AR	(RED)
9	M118584	SHIM	AR	(BLACK)
9	M93955	SOLID SHIM	AR	(WHITE)
9	M97015	SOLID SHIM	AR	(BLUE)
9	M96817	SOLID SHIM	AR	(YELLOW)
9	M96818	SOLID SHIM	AR	(GREEN)
9	M96819	SOLID SHIM	AR	(GRAY)
10	M137492	CAMSHAFT	1	
10	MIU11545	LUBRICANT	1	
11	M48867	PIPE PLUG	1	
12	M143936	WASHER	1	
13	M143970	SEAL	1	
14	M143939	WASHER	1	
15	M148328	SHAFT	1	(SUB FOR M143940)
16	M143941	SNAP RING	1	
17	MIA11999	CRANKSHAFT	1	(SUB FOR AM131907)
18	19M7805	SCREW	4	M10 X 45
19	AM125712	BRACKET	2	ENGINE MOUNT
20	M133907	EXTENSION	1	
..	AM131919	GASOLINE ENGINE	1	(SUB MIA11092) (COMPLETE)
..	MIA11092	SHORT BLOCK ASSEMBLY	1	

<https://www.ebooklibonline.com>

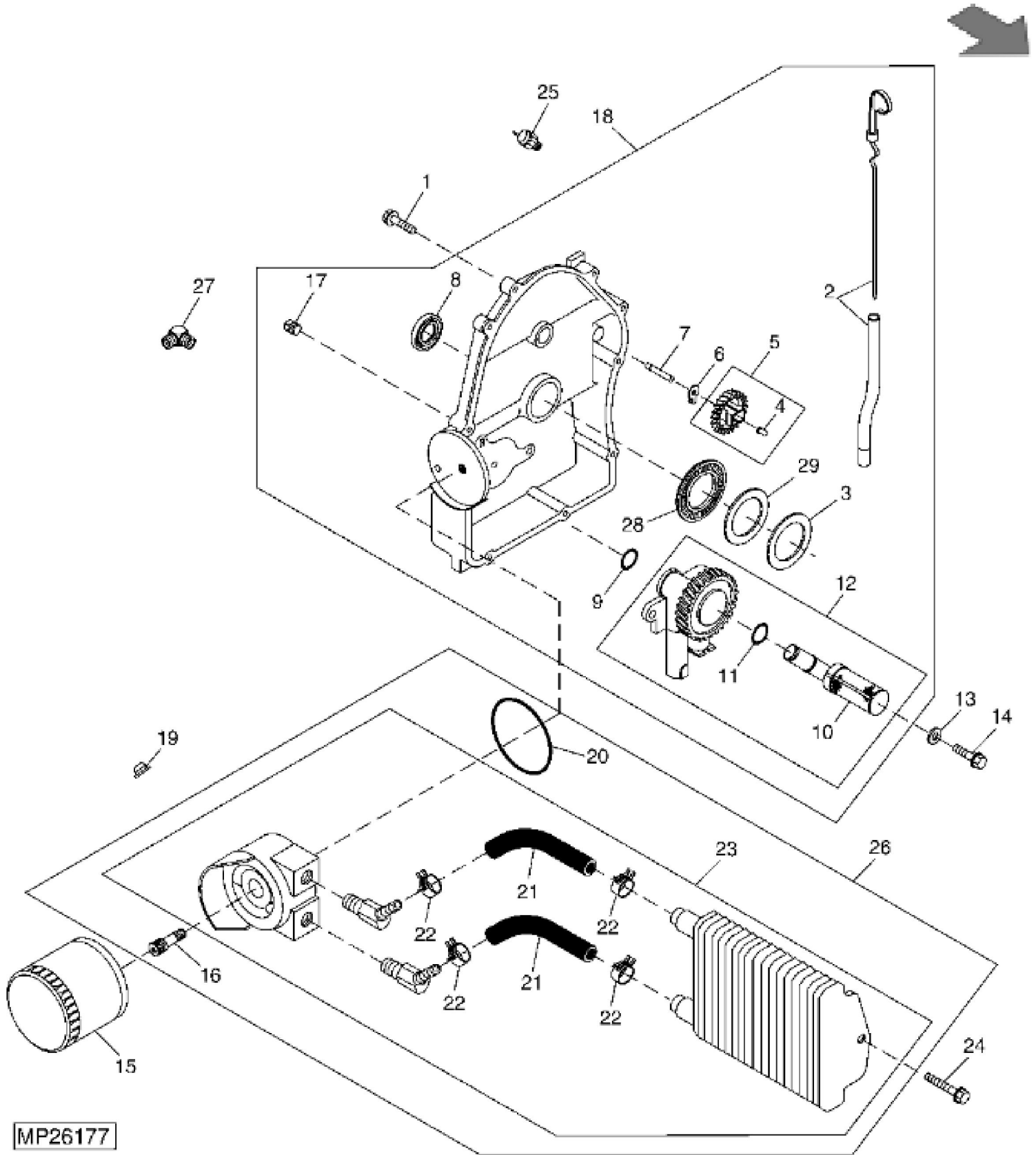
Hello dear friend!

Thank you very much for reading.

Enter the link into your browser.

The full manual is available for immediate download.

<https://www.ebooklibonline.com>





Suggest:

For more complete manuals. Please go to the home page.

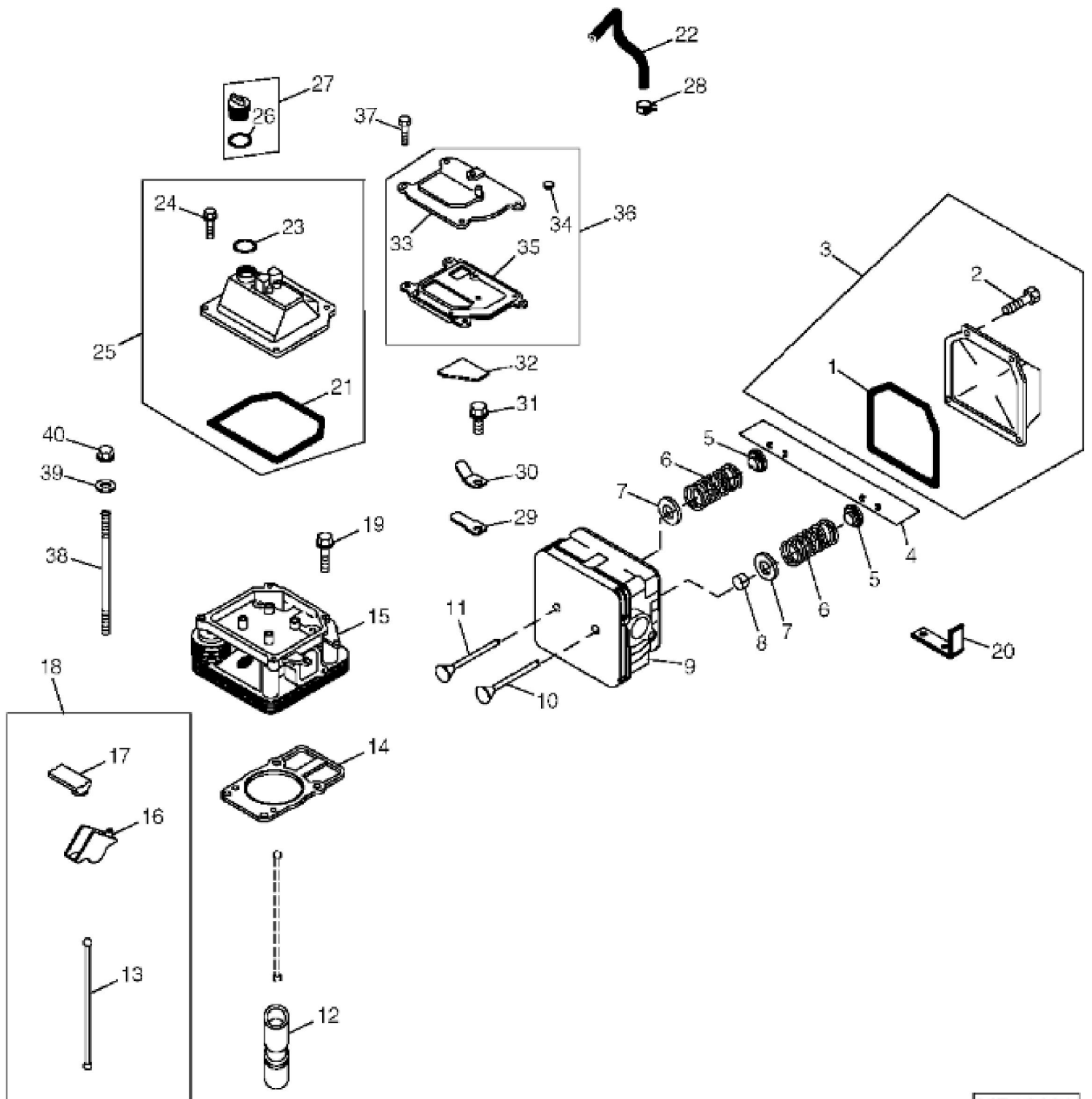
<https://www.ebooklibonline.com>

If the above button click is invalid. Please download this document first, and then click the above link to download the complete manual.

Thank you so much for reading

KEY	PART NO.	PART NAME	QTY	REMARKS
1	M131238	SCREW	9	ORDER 19M8318
1	M131239	SCREW	1	ORDER 19M8318
1	19M8318	SCREW	10	M8 X 45
2	AM131427	DIPSTICK	1	(SUB FOR M145200 AND M145201)
3	M134905	SHIM	AR	.8366-.9127, GREEN
3	M146552	SHIM	AR	.48-.52, BLUE
3	M146553	SHIM	AR	.667-.705, BLACK
4	PIN	1	(ORDER AM124981)
5	AM124981	GEAR KIT	1	
6	M150547	RETAINER	1	(SUB FOR ET13880, THIS APPLICATION)
7	M92081	SHAFT	1	(ORDER AM131908)
8	MIU11541	SEAL	1	(SUB FOR M84340)
9	M132346	O-RING	1	
10	M132348	OIL PUMP	1	USE WITH MIA10792
10	M149835	TUBE	1	
11	M132347	O-RING	1	
12	MIA10792	OIL PUMP	1	NLA; ORDER MIA12269; SUB FOR AM124982
12	MIA12269	OIL PUMP	1	
13	24M7088	WASHER	2	6.600 X 12 X 1.600 mm
14	37M7091	SCREW	2	M6 X 25
15	AM125424	OIL FILTER	1	
16	M138269	THREADED NIPPLE	1	
17	15H558	PIPE PLUG	2	1/8"
18	AM131908	BEARING KIT	1	CLOSURE PLATE
19	M132383	NUT	2	
20	M133063	O-RING	1	
21	TY22552	BULK HOSE	2	(SUB FOR M133061)
22	MIU13201	CLAMP	4	NLA; ORDER TY22462; (SUB FOR M146556)
22	TY22462	CLAMP	4	
23	AM125401	OIL COOLER	1	
24	M133058	CAP SCREW	2	
25	MIU11250	PRESSURE SWITCH	1	(SUB FOR M134904)
26	AM128663	OIL COOLER	1	OIL COOLER
27	M43285	ELBOW FITTING	1	
28	M146554	THRUST BEARING	1	

KEY	PART NO.	PART NAME	QTY	REMARKS	
29	M146555	THRUST WASHER	1		
..	M134909	LABEL	1	OIL SENTRY	
..	M133065	LABEL	1	OIL COOLER	



MP26191

<https://www.ebooklibonline.com>

Hello dear friend!

Thank you very much for reading.

Enter the link into your browser.

The full manual is available for immediate download.

<https://www.ebooklibonline.com>