

MP21186

John Deere > Turf And Utility >MOWER, FRONT >F525 - MOWER, FRONT >F510 and F525 Front Mowers >20 ENGINE AND POWER TRAIN AM122331, AM122332 >ST553814 - CYLINDER HEAD AND CRANKCASE

KEY	PART NO.	PART NAME	QTY	Serial No.	F525	REMARKS
1	19M7775	SCREW	4		X	M6 X 16
2	M70017	COVER	1		X	
3	M70018	GASKET	1		X	(A)
4	M95848	SCREW	3		X	(SUB FOR PT12100)
5	AM109222	VALVE TRAIN KIT	1		X	VALVE AND PLATE
6	14M7296	FLANGE NUT	1		X	M10
7	M77751	BOLT	1		X	
8	M70010	SNAP RING	2	_____-007891	X	
9	M97251	BRACKET	2		X	(SUB FOR M70060 OR M70089)
10	AM109087	CYLINDER HEAD	1		X	(SUB FOR AM106265 AND AM108955)
11	MIU11876	BOLT	2		X	
12	M70014	NUT	2		X	(NLA)
13	M70013	STUD	2		X	NLA
14	M70015	BUSHING	2		X	
15	M70016	WASHER	2		X	
16	M70012	BOLT	2		X	
17	M94617	WASHER	2		X	
18	M115234	STOP	1		X	CLUTCH (RUBBER)
19	M77752	ENGINE CYLINDER HEAD GASKET	1		X	(A)
20	AM108119	CRANKCASE	1		X	NLA
21	M88451	SEAL	1		X	(A)
22	M88447	STUD	4		X	
23	M88987	SEAL	1		X	
24	JD8518	BALL BEARING	1		X	(SUB FOR M70058 OR CH16424)
25	R56101	CLIP	2		X	(SUB FOR M88514 OR M95849 OR M68342)
26	M94182	TUBE	1		X	NLA
27	M93965	PLATE	1		X	NLA
28	M94180	BALL BEARING	1		X	
29	M94179	WASHER	1		X	(TRACTOR SN - 163778)
30	M94181	PLUG	1		X	(TRACTOR SN - 163778)
31	19M7810	SCREW	1		X	M10 X 80, (ENGINE TO FRAME)
32	M124523	SEAL	1		X	(A) (SUB FOR PT13344)
33	M74252	PIN	2		X	
34	M115130	INSULATOR	1		X	(SUB FOR M93967, M95847 OR M113368)

**<https://www.ebooklibonline.com>**

Hello dear friend!

Thank you very much for reading.

Enter the link into your browser.

The full manual is available for immediate download.

**<https://www.ebooklibonline.com>**

KEY	PART NO.	PART NAME	QTY	Serial No.	F525	REMARKS
35	M93966	BRACKET	1		X	NLA
36	M94153	BOLT	2		X	
37	19M8318	SCREW	9		X	M8 X 45
38	M143236	BASE	1	____-011999	X	(SUB FOR M94616)
38	M147863	COVER	1	012000-032636	X	(SUB FOR M115150)
38	M147863	COVER	1	032637-____	X	(SUB FOR M120023)
39	M94604	GASKET	1		X	(A)
40	M94605	PLUG	1		X	
41	M94461	SCREW WITH WASHER	2		X	NLA
42	M94459	MAGNET	1		X	
43	M143232	GASKET	1		X	(A) (SUB FOR M70099, M97267, M118781 OR M120019)
44	19M7861	SCREW	1		X	M6 X 10
45	M94615	PLATE	1		X	NLA
46	M118002	PLUG	1		X	NLA
47	51M7042	O-RING	1		X	13.300 X 2.200 mm, (TRACTOR SN 163779 - )
48	AM125138	DRAIN VALVE	1		X	(TRACTOR SN 163779 - )
..	AM130360	GASKET KIT	1		X	ENGINE (INCLUDES PARTS MARKED (A)) (SUB FOR AM108125, AM109359, AM118819 OR AM119474)
..	AM119123	GASOLINE ENGINE	1	____-032636	X	PA540A-AS02 COMPLETE WITH TRANSAXLE (SUB FOR AM108124, AM109176, AM116940 OR AM116939 (DO NOT USE IN CALIFORNIA) (SUB AM122332))
..	AM122332	GASOLINE ENGINE	1	032637-____	X	PA540A-BS02 COMPLETE WITH TRANSAXLE (CARB CERTIFIED)



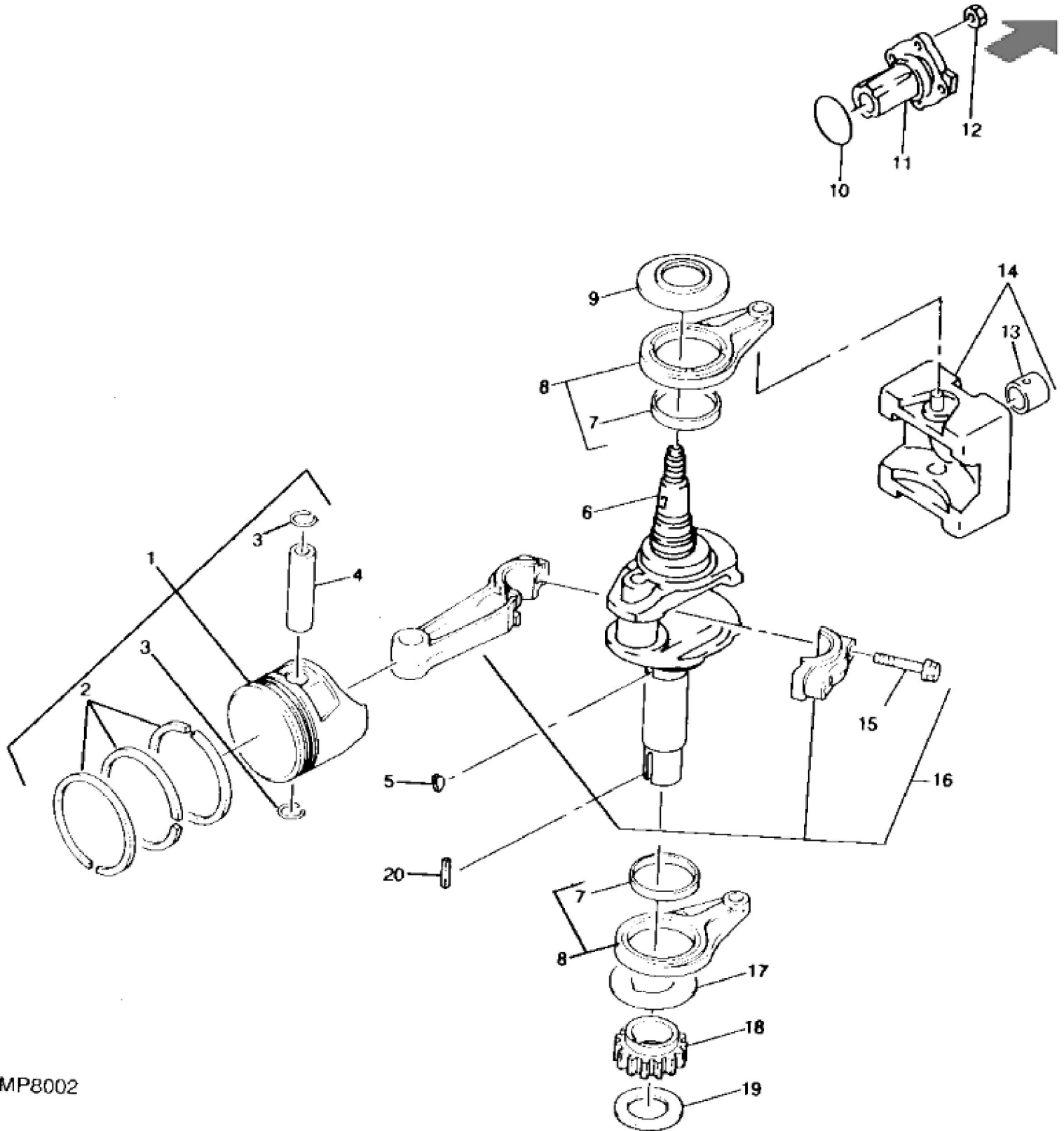
**Suggest:**

**For more complete manuals. Please go to the home page.**

**<https://www.ebooklibonline.com>**

**If the above button click is invalid. Please download this document first, and then click the above link to download the complete manual.**

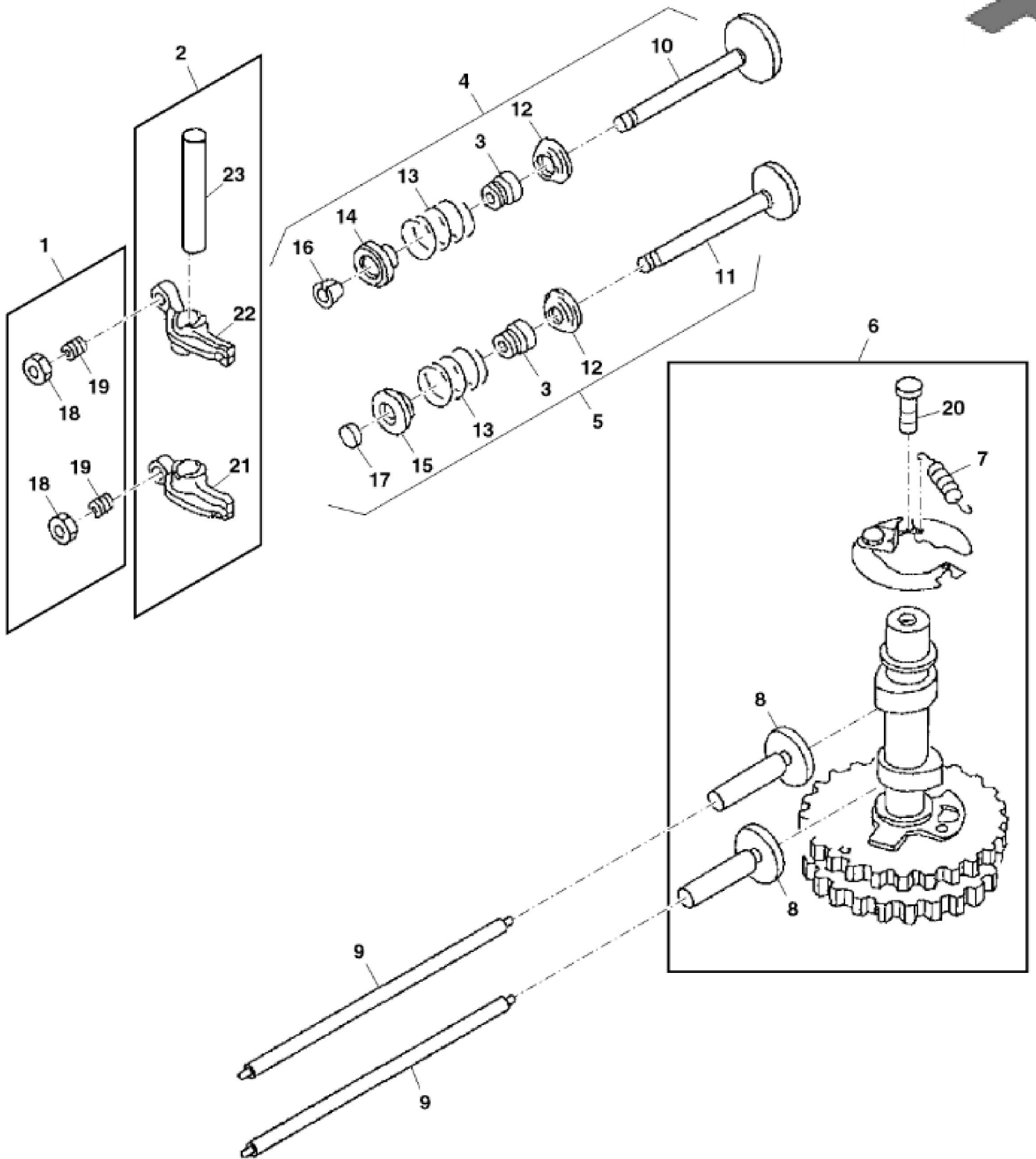
**Thank you so much for reading**



MP8002

John Deere > Turf And Utility > MOWER, FRONT > F525 - MOWER, FRONT > F510 and F525 Front Mowers > 20 ENGINE AND POWER TRAIN AM122331, AM122332 > ST553815 - CRANKSHAFT AND PISTONS

KEY	PART NO.	PART NAME	QTY	F510	F525	REMARKS
1	AM109362	PISTON REPLACEMENT KIT	1			NLA, STD
1	AM109364	PISTON REPLACEMENT KIT	AR			.50 MM OS, NLA
2	AM101097	PISTON RING KIT	1			NLA, STD
2	AM101099	PISTON RING KIT	AR			.50 MM OS, NLA
3	M70053	SNAP RING	2			
4	M70052	PISTON PIN	1			( NOT INCLUDED IN KIT)
5	M77843	SHAFT KEY	1			
6	AM108007	CRANKSHAFT	1	X		NLA
6	AM108120	CRANKSHAFT	1		X	NLA
7	M93951	WASHER	2	X		
7	M93952	BEARING	2		X	
8	AM107951	ROD	2	X		NLA
8	AM107952	ROD	2		X	
9	M70055	SPACER	1			
10	M70096	O-RING	1			(INCLUDED IN ENGINE GASKET KIT)
11	M70186	SHAFT	1			
12	M70097	NUT	4			
13	M140228	BEARING	1	X		(ORDER AM104442 ) (SUB FOR M120020)
13	M140228	BEARING	1		X	(SUB FOR M72903 AND M120020)
14	AM104442	WEIGHT	1	X		(INCLUDES BEARING)
14	AM131129	WEIGHT	1		X	(INCLUDES BEARING) (SUB FOR AM105819 AND AM119476)
15	M95850	PIN	2			
16	AM130250	CONNECTING ROD	1	X		STD, (SUB FOR AM104452)
16	AM130251	CONNECTING ROD	AR	X		.50 MM US, (SUB FOR AM104453)
16	AM130248	CONNECTING ROD	1		X	STD, (SUB FOR AM101674)
16	AM130249	CONNECTING ROD	AR		X	.50 MM US, NLA (SUB FOR AM102390)
17	M88592	SPACER	1	X		NLA
17	M70056	SPACER	1		X	
18	M93968	HELICAL GEAR	1	X		NLA
18	M94618	HELICAL GEAR	1		X	NLA
19	AM104809	SHIM KIT	1	X		(INCLUDES SHIMS FROM 1.18 MM TO 1.810 MM)
19	AM102397	SHIM KIT	1		X	(INCLUDES SHIMS FROM 1.18 MM TO 1.705 MM)
20	M45460	SHAFT KEY	1			(USE WITH OGURA CLUTCH ONLY)



**<https://www.ebooklibonline.com>**

Hello dear friend!

Thank you very much for reading.

Enter the link into your browser.

The full manual is available for immediate download.

**<https://www.ebooklibonline.com>**