

MP24010

| KEY | PART NO. | PART NAME     | QTY | REMARKS  |
|-----|----------|---------------|-----|--|
| 1   | AM127765 | GEAR KIT      | 1   | INPUT GEAR   |
| 2   | M138174  | SEAL          | 1   |  |
| 3   | M138167  | SNAP RING     | 3   |  |
| 4   | M138166  | O-RING        | 3   |  |
| 5   | M138178  | BALL BEARING  | 1   |  |
| 6   | M138173  | O-RING        | 1   |  |
| 7   | M138164  | SHAFT         | 1   | (A) INPUT  |
| 8   | M138165  | BALL BEARING  | 1   |  |
| 9   | M143158  | STRAP         | 1   | TORQUE, (SUB FOR M139689)                                  |
| 10  | 24M7293  | WASHER        | 6   | 6.500 X 13 X 1.600 mm                                      |
| 11  | 12H302   | LOCK WASHER   | 6   | 1/4"   |
| 12  | 19H2571  | CAP SCREW     | 6   | 1/4" X 1-3/8"  |
| 13  | M132482  | BALL BEARING  | 2   |  |
| 14  | AM127764 | SEAL KIT      | 1   | (SUB MIU10757)   |
| 15  | PM37485  | ADHESIVE      | AR  | ANAEROBIC RETAINING COMPOUND, (SUB FOR TY15969 OR M138177) |
| 16  | M138168  | PLUG          | 2   | (SUB MIU10757)   |
| 17  | AM127759 | HOUSING       | 1   | AXLE   |
| 18  | .....    | BEARING CAP   | 2   | DIFFERENTIAL   |
| 19  | M138158  | BOLT          | 4   | BEARING CAP  |
| 20  | M132483  | BALL BEARING  | 2   |  |
| 21  | M143695  | BOLT          | 4   | (C) (SUB FOR M132488)                                      |
| 22  | MIA10431 | DIFFERENTIAL  | 1   | (INCLUDES PARTS MARKED (C)) (SUB FOR AM130610 OR AM128844) |
| 23  | TY25518  | SEALANT       | AR  | RTV SILICONE, (SUB FOR TY15705, TY16135 AND TY25188)       |
| 24  | M137731  | SCREW         | 10  |  |
| 25  | AM128845 | COVER KIT     | 1   | COVER PLATE  |
| 26  | M140447  | PLATE         | 1   | DIFFERENTIAL COVER   |
| 27  | M145134  | DRAIN PLUG    | 1   |  |
| 28  | M143662  | LOCK NUT      | 4   | (C) (SUB FOR M132489)                                      |
| 29  | M141831  | GEAR          | 1   | (A) FINAL DRIVE, (SUB FOR M138159)                         |
| 30  | M138162  | SHAFT         | 1   | (A) INTERMEDIATE GEAR                                      |
| 31  | M138163  | O-RING        | 2   |  |
| 32  | M140449  | ELBOW FITTING | 1   | (USE WITH AM126633 OR AM129751)                            |
| 32  | M132499  | ELBOW FITTING | 1   | (USE WITH AM130557)  |

**<https://www.ebooklibonline.com>**

Hello dear friend!

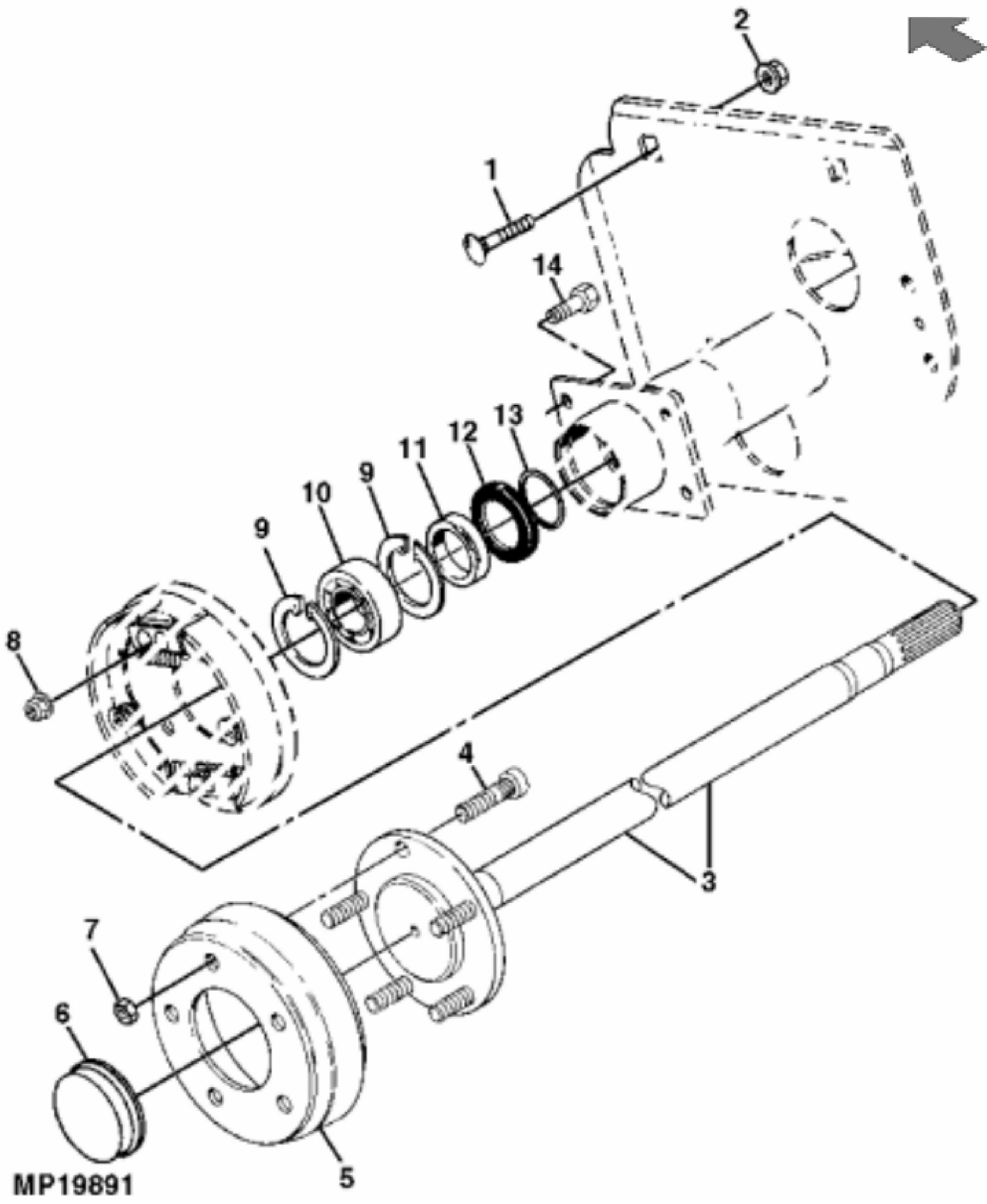
Thank you very much for reading.

Enter the link into your browser.

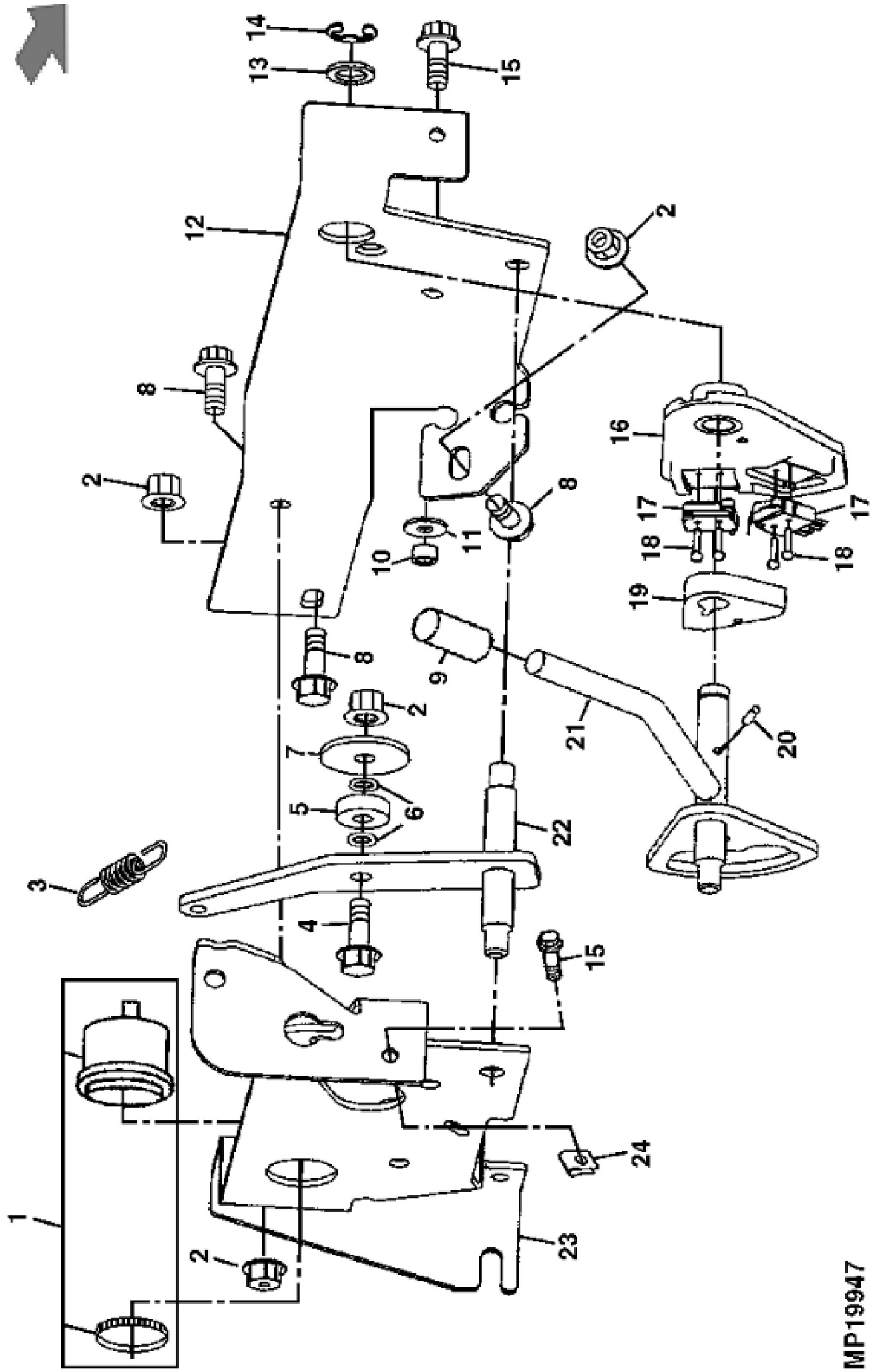
The full manual is available for immediate download.

**<https://www.ebooklibonline.com>**

| KEY | PART NO. | PART NAME   | QTY | REMARKS   |
|-----|----------|-------------|-----|---|
| 33  | R56101   | CLIP        | 1   |   |
| 34  | .....    | HOSE        | 1   | MF M175325; Vent  |
| 35  | 19M7790  | SCREW       | 1   | M12 X 35  |
| 35  | 19M8162  | SCREW       | 1   | M10 X 40  |
| 36  | R44302   | TIE BAND    | 1   |   |
| 37  | 14M7401  | LOCK NUT    | 1   | M12, USE WITH 19M7790   |
| 37  | 14M7400  | LOCK NUT    | 1   | M10, USE WITH 19M8162   |
| 38  | 24M7178  | WASHER      | 3   | 10.500 X 30 X 2.500 mm  |
| 39  | AM129753 | GEAR KIT    | 1   | (Not Illustrated) INCLUDES PARTS MARKED (A); SUB FOR AM127762, Gear |
| 40  | MIA13157 | BEARING KIT | 1   | (Not Illustrated) SUB FOR AM127763                                  |
| 41  | AM130557 | TRANSAXLE   | 1   | (Not Illustrated) (SUB FOR AM126633 OR AM129751)                    |



| KEY | PART NO. | PART NAME    | QTY | REMARKS    |  |
|-----|----------|--------------|-----|------------|--|
| 1   | 03M7198  | BOLT         | 6   | M12 X 30   |  |
| 2   | 14M7466  | LOCK NUT     | 6   | M12        |  |
| 3   | AM127760 | SHAFT        | 1   | AXLE, LH   |  |
| 3   | AM127761 | SHAFT        | 1   | AXLE, RH   |  |
| 4   | M137730  | WHEEL BOLT   | 10  |            |  |
| 5   | M132513  | BRAKE DRUM   | 2   |            |  |
| 6   | M123584  | PLUG         | 2   |            |  |
| 7   | JD2351   | NUT          | 10  | WHEEL BOLT |  |
| 8   | M132512  | LOCK NUT     | 8   |            |  |
| 9   | M132508  | SNAP RING    | 4   |            |  |
| 10  | M132510  | BALL BEARING | 2   | AXLE       |  |
| 11  | M132509  | RING         | 2   |            |  |
| 12  | M138176  | SEAL         | 2   | AXLE       |  |
| 13  | M132518  | SNAP RING    | 2   |            |  |
| 14  | M132507  | SCREW        | 8   |            |  |



MP19947



**Suggest:**

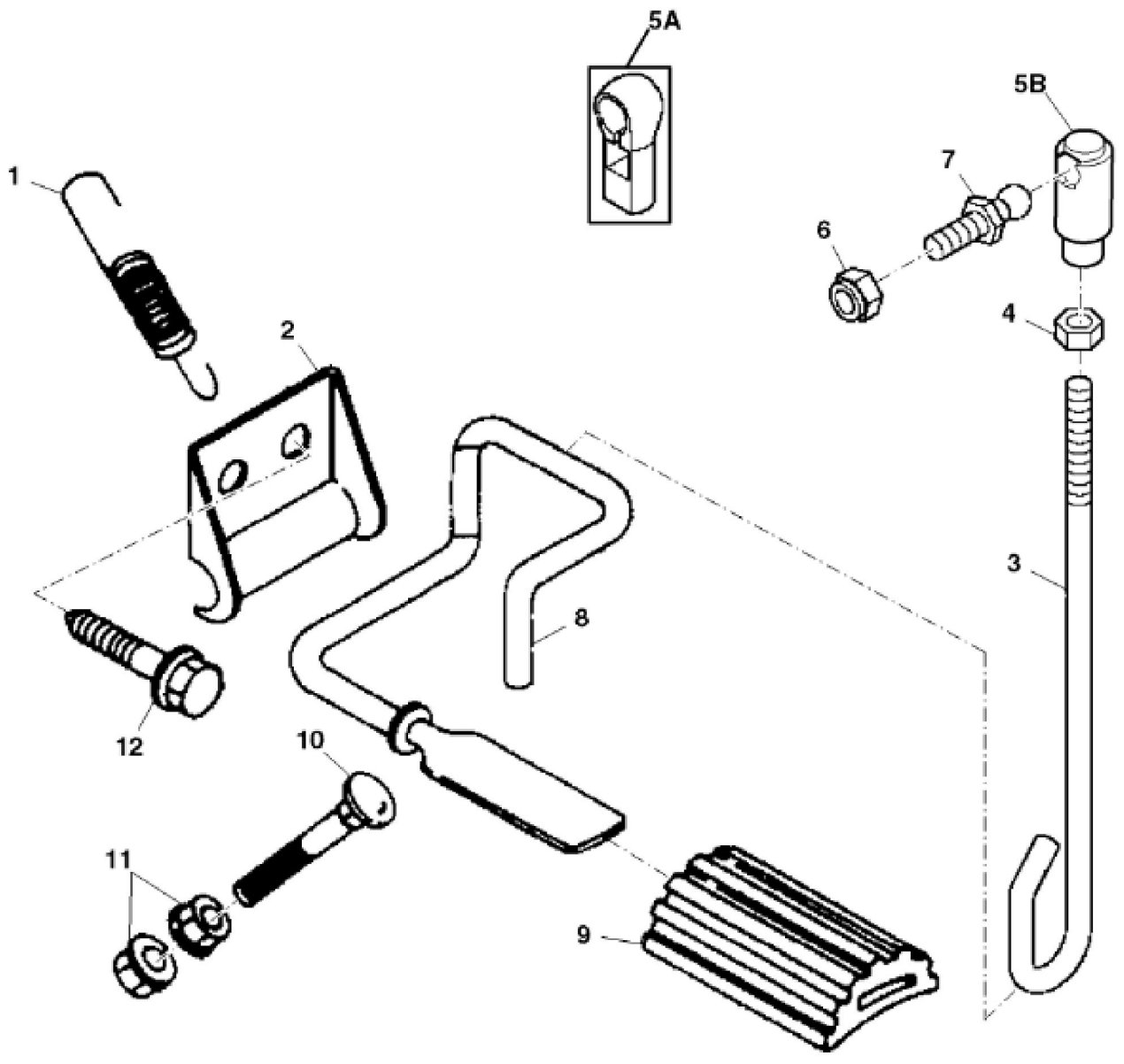
**For more complete manuals. Please go to the home page.**

**<https://www.ebooklibonline.com>**

**If the above button click is invalid. Please download this document first, and then click the above link to download the complete manual.**

**Thank you so much for reading**

| KEY | PART NO. | PART NAME             | QTY | REMARKS                              |
|-----|----------|-----------------------|-----|--------------------------------------|
| 1   | AM126636 | AUDIBLE WARNING ALARM | 1   |                                      |
| 2   | 14M7396  | LOCK NUT              | 5   | M8                                   |
| 3   | M141788  | EXTENSION SPRING      | 1   |                                      |
| 4   | 19M7868  | SCREW                 | 1   | M8 X 30                              |
| 5   | AM102726 | BALL BEARING          | 1   |                                      |
| 6   | 24M7313  | WASHER                | 2   | 8.100 X 12 X 1.200 mm                |
| 7   | 24H1291  | WASHER                | 1   | 21/64" X 1-15/32" X 7/64"            |
| 8   | 19M7866  | SCREW                 | 4   | M8 X 20                              |
| 9   | M126723  | KNOB                  | 1   |                                      |
| 10  | 14M7397  | LOCK NUT              | 1   | M6                                   |
| 11  | 24M7139  | WASHER                | 1   | 6.400 X 18 X 1.600 mm                |
| 12  | M136182  | SUPPORT               | 1   | SHIFT, LH                            |
| 13  | 24M7044  | WASHER                | 1   | 13 X 20 X 2 mm                       |
| 14  | R26871   | SNAP RING             | 1   |                                      |
| 15  | 19M7862  | SCREW                 | 3   | M6 X 20                              |
| 16  | M136181  | SUPPORT               | 1   | SHIFT SWITCH                         |
| 17  | AM126617 | SWITCH                | 2   | SHIFT                                |
| 18  | M135540  | SCREW                 | 4   | SHIFT SWITCH                         |
| 19  | M136180  | CAM                   | 1   | SHIFT SWITCH                         |
| 20  | 34M7129  | SPRING PIN            | 1   | 3 X 16 mm                            |
| 21  | AM126562 | HANDLE                | 1   |                                      |
| 22  | AM123161 | ARM                   | 1   | CAM FOLLOWER                         |
| 23  | M126433  | SUPPORT               | 1   | SHIFT, RH (MAY DIFFER IN APPEARANCE) |
| 24  | M84972   | NUT                   | 2   | U-TYPE                               |



**<https://www.ebooklibonline.com>**

Hello dear friend!

Thank you very much for reading.

Enter the link into your browser.

The full manual is available for immediate download.

**<https://www.ebooklibonline.com>**