

KEY	PART NO.	PART NAME	QTY	REMARKS
1	AT13740	DRAIN VALVE	1	
2	DZ10211	PISTON-LINER KIT	6	PISTON MARKED RE529264; SUB FOR RE545266 OR RE531072
3	RE541037	O-RING KIT	1	SUB FOR AR98850
4	R527468	SHIM	1	TK = 0.004"
4	R93948	SHIM	1	(Not Illustrated) TK = 0.002"
4	R528685	SHIM	1	(Not Illustrated) TK = 0.006"
4	R536310	SHIM	1	(Not Illustrated) TK = 0.008"
4	R536311	SHIM	1	(Not Illustrated) TK = 0.010"
5	R43409	PLUG	1	
6	RE522991	ORIFICE	6	
7	RE555307	CAM FOLLOWER ROLLER	12	SUB FOR RE540586 OR RE535576 OR RE519889
8	RE57836	PIPE PLUG	3	
9	RE519144	SENSOR	2	(Magnetic Pick Up Sensor)
10	51M7044	O-RING	1	17.300 X 2.200 mm
11	RE71255	PIPE PLUG	5	
12	RE167207	SENSOR	1	(Pressure Sensor)
13	R528098	GEAR	1	(Camshaft) Z = 54, SUB FOR R518212
14	R518255	GEAR	1	(Fuel Supply Pump Drive) Z = 64
15	R504811	WASHER	1	
16	26H91	SHAFT KEY	1	3/16" X 1-1/4"
17	R522884	CAMSHAFT	1	SUB FOR R520366
17	SE501775	CAMSHAFT REMAN	1	REMAN FOR R522884
18	...	CYLINDER BLOCK	1	MARKED R542211; ORDER DZ10789 OR DZ10597
18	DZ10789	SHORT BLOCK ASSEMBLY	1	(For Marine Engine)
18	DZ10597	SHORT BLOCK ASSEMBLY	1	(For Non-Marine Engine)
19	R120954	BEARING CAP	1	
20	R519287	CAP SCREW	14	
21	R120953	BEARING CAP	6	
22	R527877	BUSHING	6	
23	R82007	PLUG	1	
24	R54326	O-RING	6	
25	R518034	BUSHING	1	

**<https://www.ebooklibonline.com>**

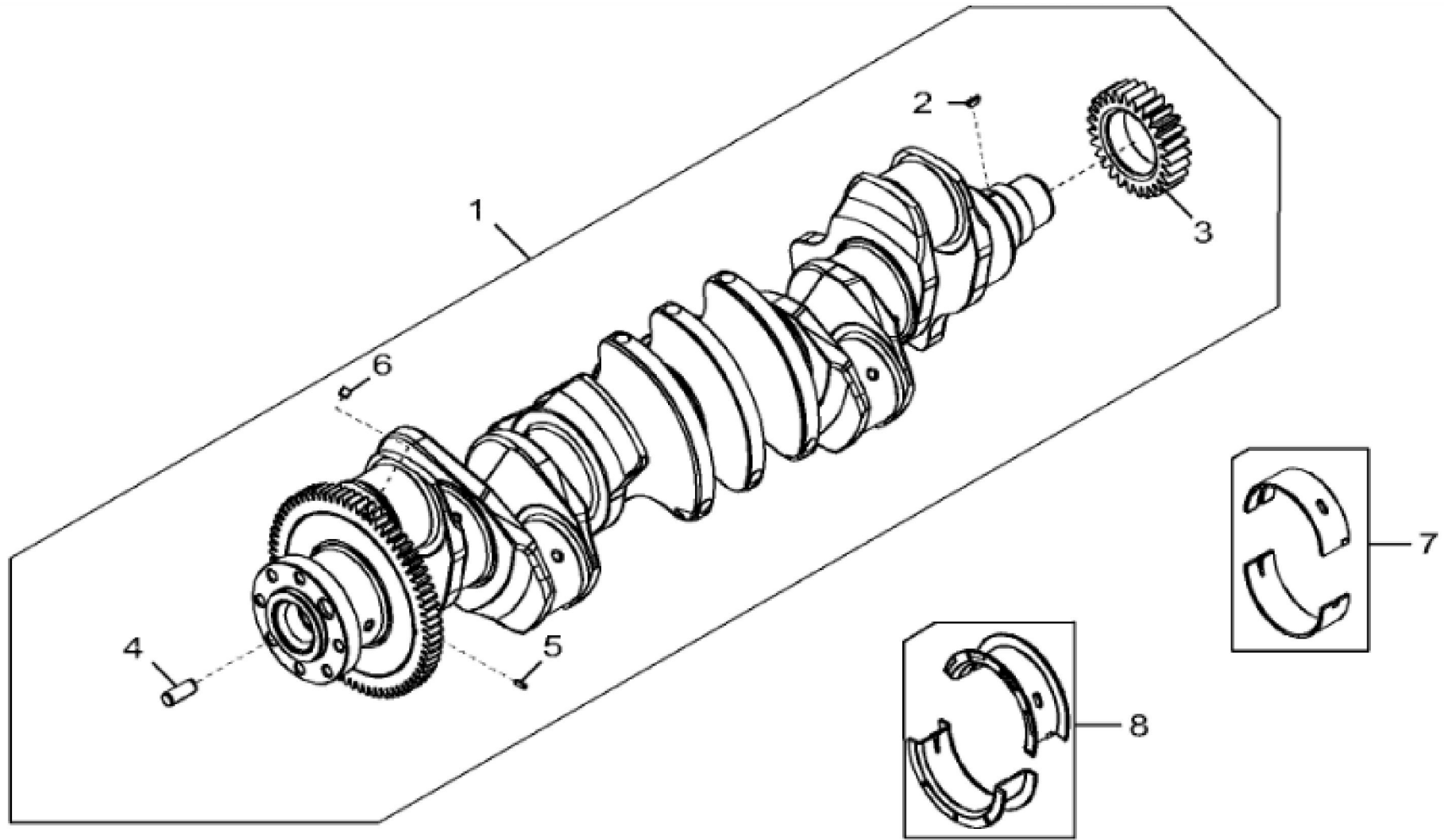
Hello dear friend!

Thank you very much for reading.

Enter the link into your browser.

The full manual is available for immediate download.

**<https://www.ebooklibonline.com>**



4701\_RE523130\_PCD

John Deere > Construction And Forestry > EXCAVATOR > E360 - EXCAVATOR > E360 Excavator (PIN: 1YNE36A\_\_C600002- )(PIN: 1YNE36A\_\_D600069- )(Engine: 6090HT009,6090HT007) > 04A ENGINE 6090HT009-RE543575 > 0400A ENGINE 6090HT009-RE543575 6090HT009 > ST30568 - 4701 CRANKSHAFT

KEY	PART NO.	PART NAME	QTY	REMARKS	
1	RE540429	CRANKSHAFT	1	MARKED R526075; SUB FOR RE534315	
2	R120752	KEY	1		
3	R104587	GEAR	1		
4	R41934	DOWEL PIN	1		
5	34M7089	DOWEL PIN	1	4 X 12 mm	
6	AT107510	PLUG	6		
7	RE529319	BEARING	6	KIT; MARKED R519427 AND R519428	
8	RE529320	THRUST BEARING	1	KIT; MARKED R519429 AND R519430	



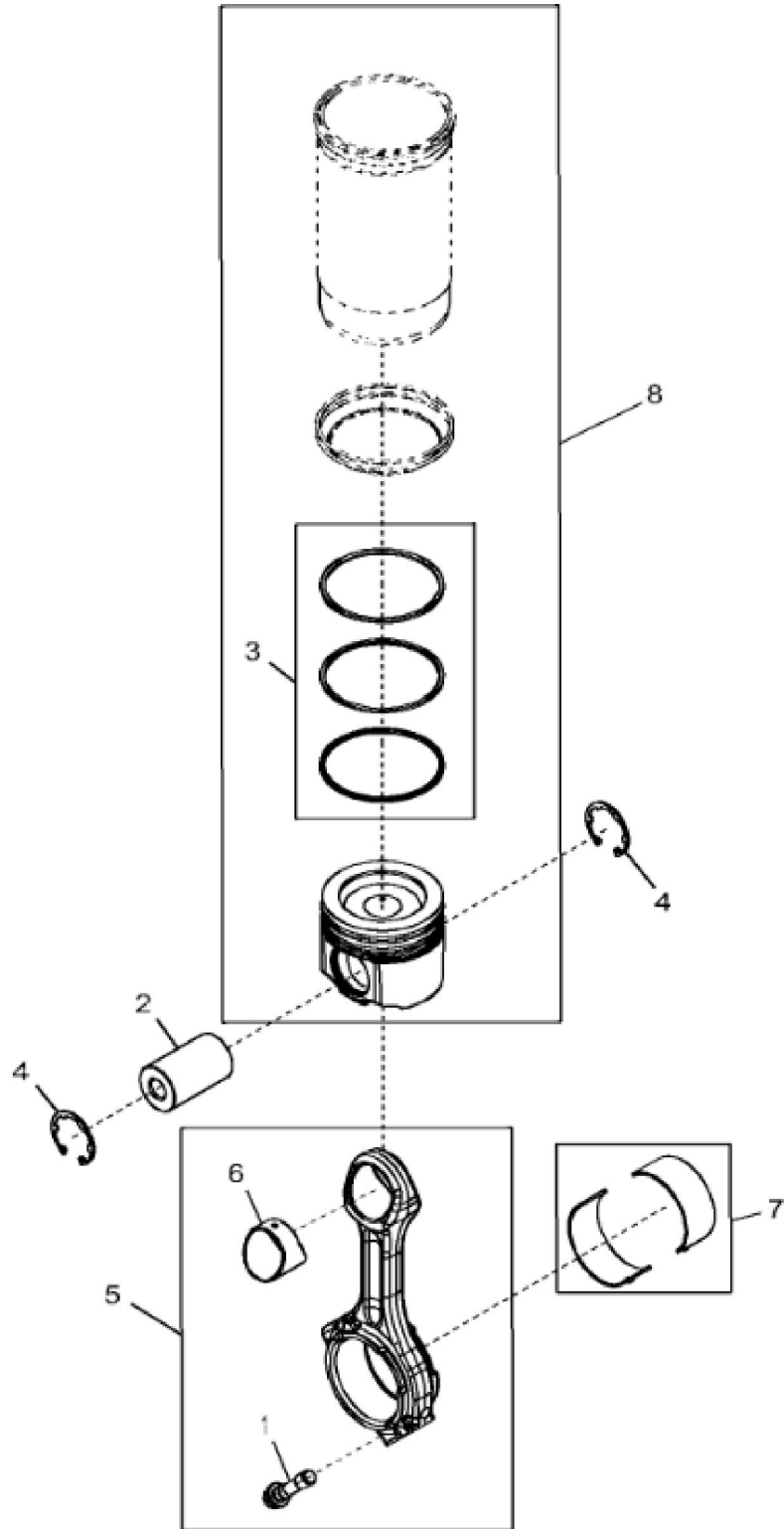
**Suggest:**

**For more complete manuals. Please go to the home page.**

**<https://www.ebooklibonline.com>**

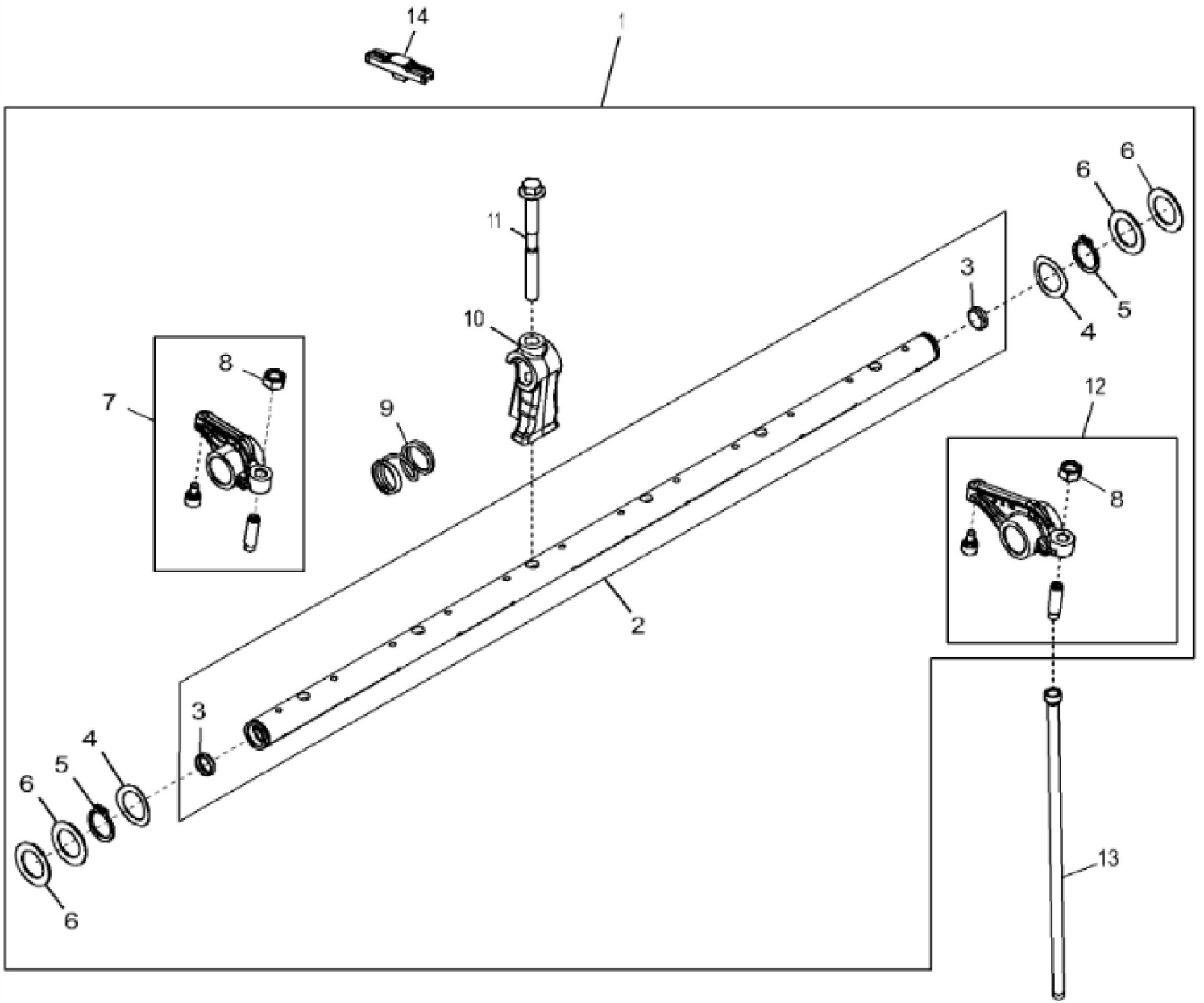
**If the above button click is invalid. Please download this document first, and then click the above link to download the complete manual.**

**Thank you so much for reading**



John Deere > Construction And Forestry > EXCAVATOR > E360 - EXCAVATOR > E360 Excavator (PIN: 1YNE36A\_\_C600002-)(PIN: 1YNE36A\_\_D600069- )(Engine: 6090HT009,6090HT007) > 04A ENGINE 6090HT009-RE543575 > 0400A ENGINE 6090HT009-RE543575 6090HT009 > ST30570 - 4801 CONNECTING RODS AND PISTONS

KEY	PART NO.	PART NAME	QTY	REMARKS
1	R542878	CAP SCREW	12	
2	DZ101959	PISTON PIN	6	OD = 47 mm, LGTH = 79 mm, SUB FOR R517073
3	DZ10083	PISTON RING	6	PKG (3), SUB FOR RE539642
4	R519640	SNAP RING	12	
5	DZ100117	CONNECTING ROD	6	MARKED DZ100421, SUB FOR RE517436 OR RE535554
5	SE501759	CONNECTING ROD REMAN	AR	REMAN FOR RE535554
5	SE501748	CONNECTING ROD REMAN	AR	REMAN FOR RE517436
6	R74008	BUSHING	6	
7	RE529318	BEARING	6	KIT; R519454
8	DZ10211	PISTON-LINER KIT	6	PISTON MARKED RE529264, SUB FOR RE545266 OR RE571507



**<https://www.ebooklibonline.com>**

Hello dear friend!

Thank you very much for reading.

Enter the link into your browser.

The full manual is available for immediate download.

**<https://www.ebooklibonline.com>**