

KEY	PART NO.	PART NAME	QTY	REMARKS	
1	R519533	MEDALLION	1		
2	T122075	O-RING	1		
3	RE529871	ELBOW FITTING	1		
4	19M8291	SCREW	15	M8 X 35	
5	RE555920	COVER	1		
6	19M7775	SCREW	2	M6 X 16	
7	19M7796	SCREW	1	M6 X 30	
8	R523317	BREATHER	1		
9	R527884	GASKET	1		
10	RE535517	FILLER CAP	1		

<https://www.ebooklibonline.com>

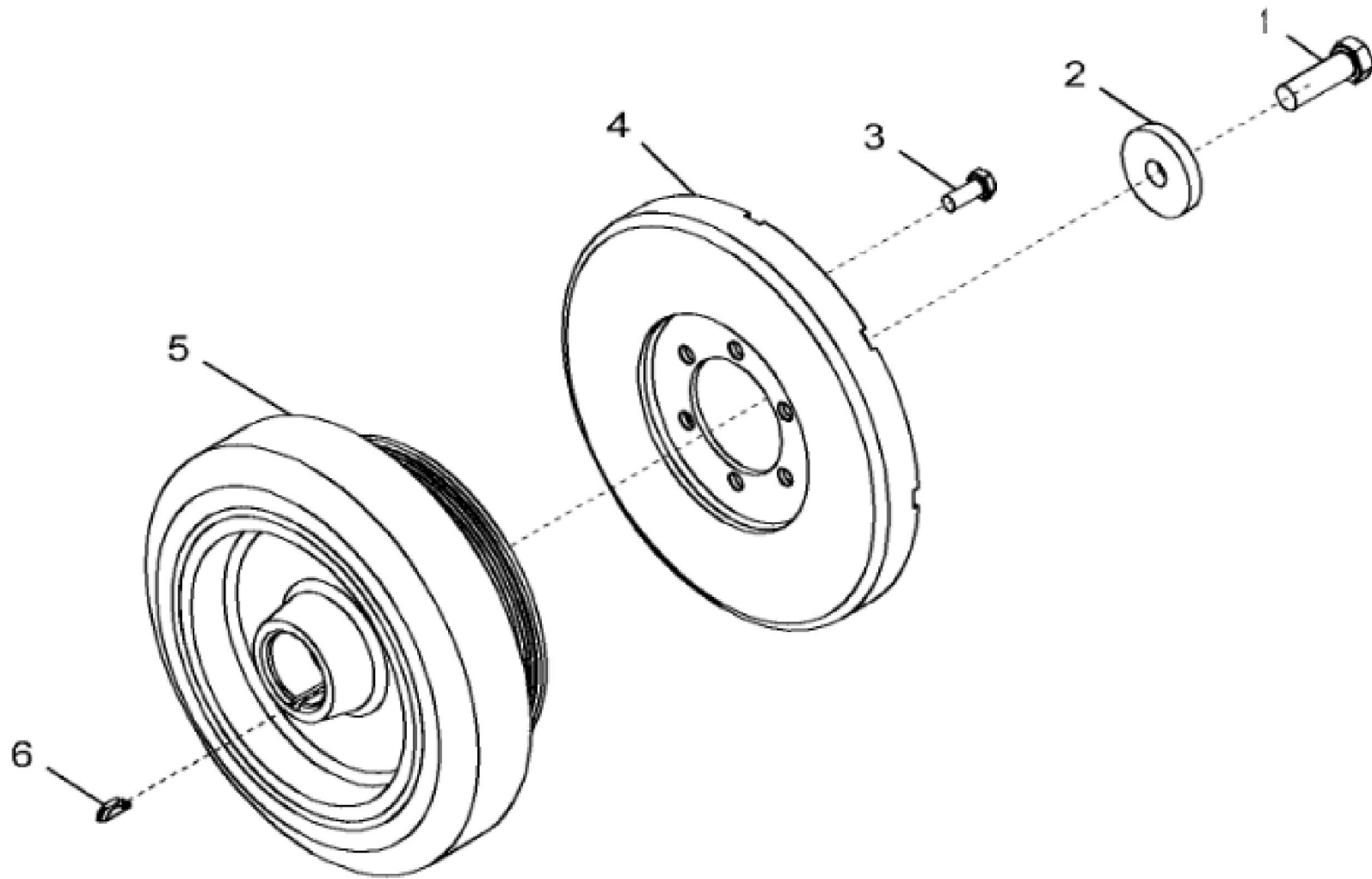
Hello dear friend!

Thank you very much for reading.

Enter the link into your browser.

The full manual is available for immediate download.

<https://www.ebooklibonline.com>



1346_RE523605_PCD

John Deere > Construction And Forestry > EXCAVATOR > E330LC - EXCAVATOR > E330LC Excavator (PIN:1YNE33AL_ _C600002-)(PIN:1YNE33AL_ _D600025-)(Engine: 6090HT009, 6090HT007) >04A

ENGINE 6090HT009-RE543575 >0400A ENGINE 6090HT009-RE543575 6090HT009 >ST23119 - 1346 CRANKSHAFT PULLEY

KEY	PART NO.	PART NAME	QTY	REMARKS	
1	19M8889	CAP SCREW	1	M16 X 50	
2	R26333	WASHER	1		
3	19M7402	CAP SCREW	6	M10 X 25	
4	RE57604	TORSIONAL DAMPER	1		
5	RE522932	PULLEY WITH DAMPENER	1		
6	R523306	KEY	1		



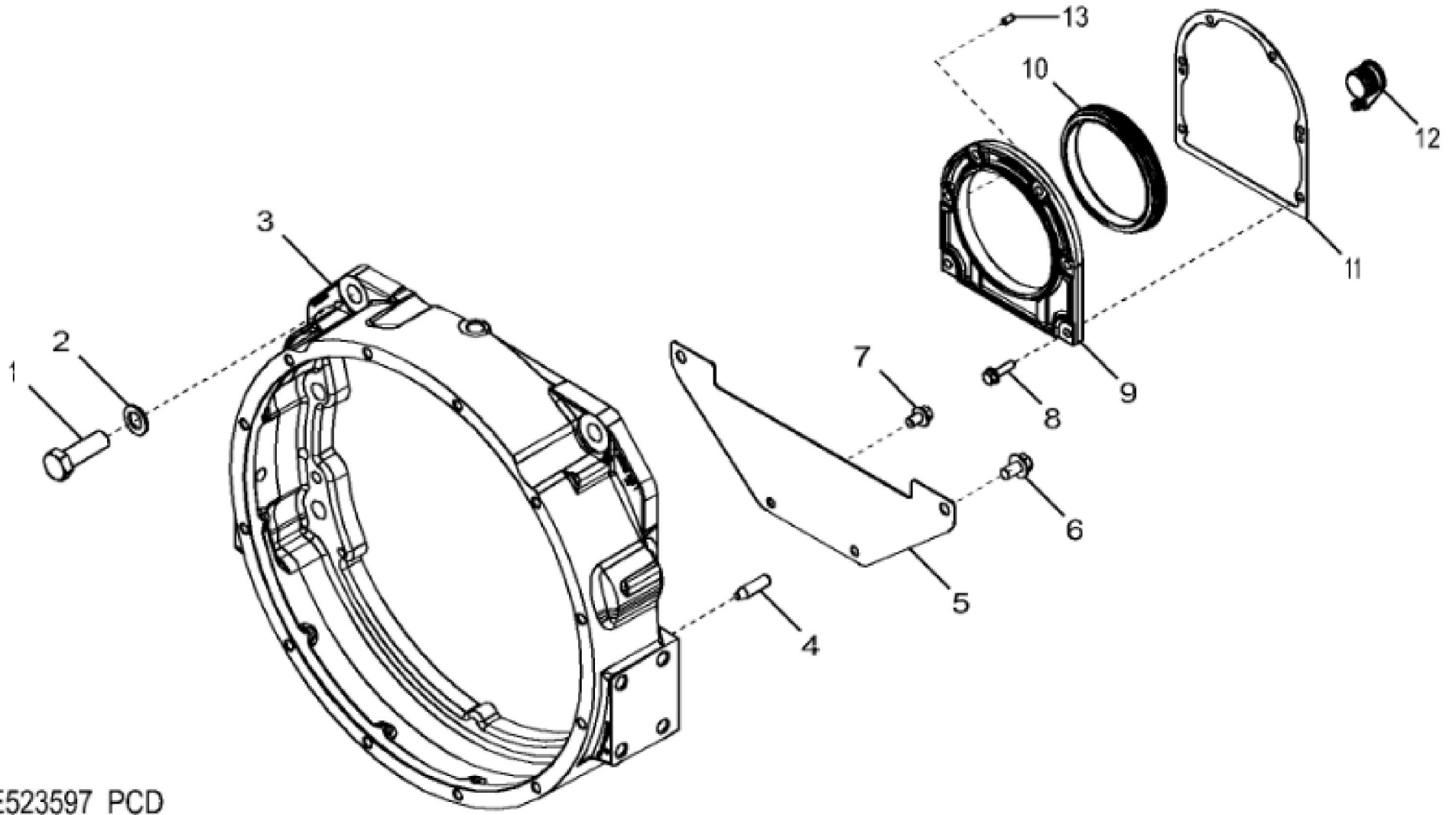
Suggest:

For more complete manuals. Please go to the home page.

<https://www.ebooklibonline.com>

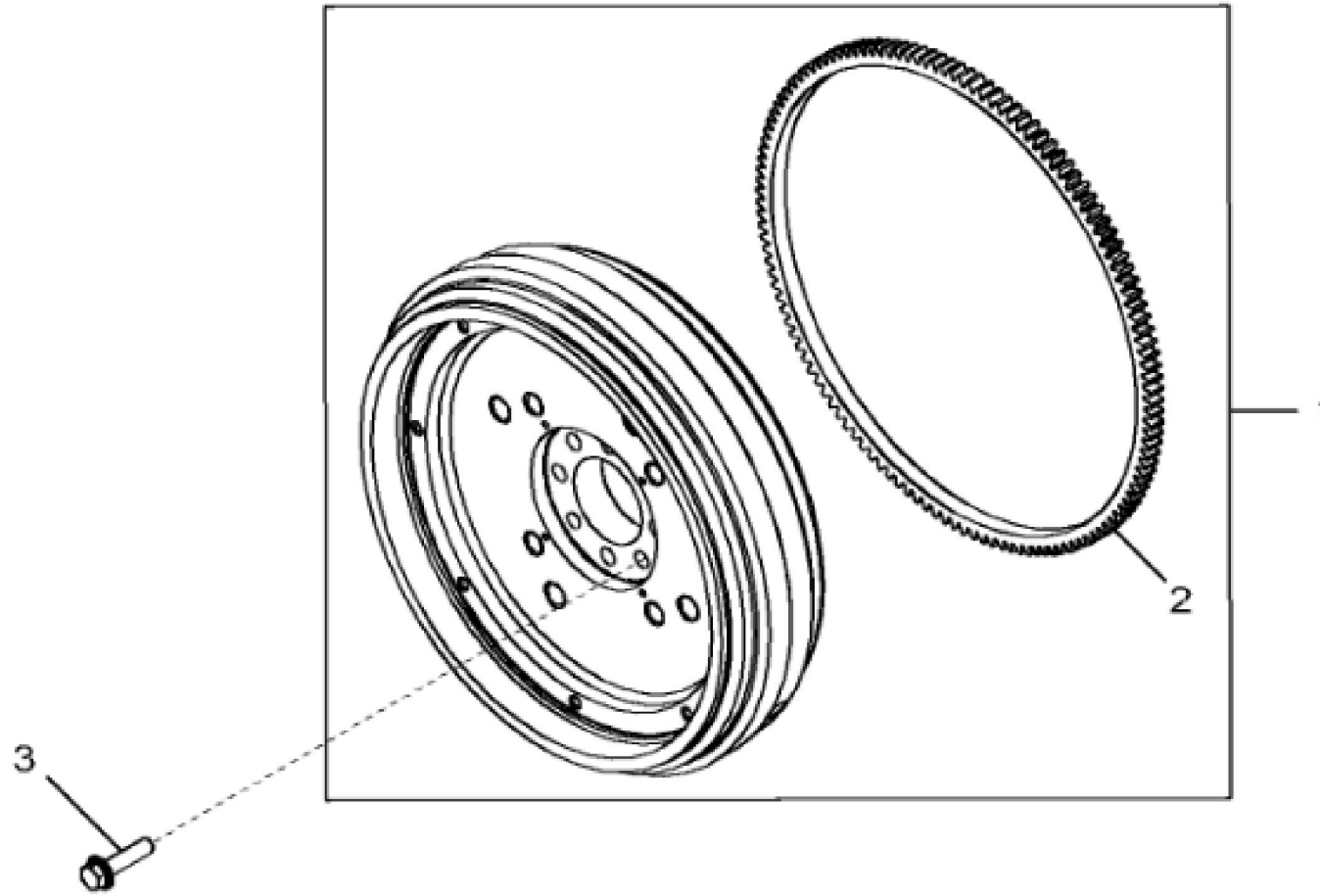
If the above button click is invalid. Please download this document first, and then click the above link to download the complete manual.

Thank you so much for reading



1401_RE523597_PCD

KEY	PART NO.	PART NAME	QTY	REMARKS	
1	19M8224	CAP SCREW	6	M20 X 60	
2	24M7353	WASHER	6	20 X 34 X 3 mm	
3	R520216	HOUSING	1	MARKED R121692	
4	H79910	DOWEL PIN	2		
5	R519506	COVER	1		
6	19M7787	SCREW	2	M12 X 20	
7	19M7783	SCREW	2	M10 X 16	
8	19M7868	SCREW	6	M8 X 30	
9	R531312	HOUSING	1	MARKED R545426	
10	RE520036	SEAL	1		
11	R522768	GASKET	1		
12	R121929	PLUG	1		
13	F1743R	DOWEL PIN	2		



1543_RE525493_PCD

<https://www.ebooklibonline.com>

Hello dear friend!

Thank you very much for reading.

Enter the link into your browser.

The full manual is available for immediate download.

<https://www.ebooklibonline.com>