

KEY	PART NO.	PART NAME	QTY	REMARKS
1	R518345	CLAMP	6	
2	R504781	CAP SCREW	6	
3	19M7775	SCREW	2	M6 X 16
4	RE509093	WIRING HARNESS	1	
5	DZ100217	NOZZLE KIT	1	SUB FOR RE546781 OR RE524382
6	R134920	NUT	12	
7	R65397	O-RING	6	
8	RE522594	TUBE	6	LGTH = 61 mm
9	INJECTION NOZZLE	6	TYPE 70 - 1200 cc, ORDER DZ100217
10	R505452	O-RING	6	
11	R515535	WASHER	6	
12	R515044	FITTING	6	M16 X 1.5 X M14 X 1.5, ALSO ORDER R65397
13	RE523249	FUEL LINE	2	SUB FOR RE507541
14	RE507540	FUEL LINE	2	
15	RE507539	FUEL LINE	2	
16	R529168	STUD	3	M10; LGTH = 90 mm
17	RE507959	FUEL INJECTION PUMP	1	SUB FOR RE527528 OR RE522595
17	SE501915	FUEL INJECTION PUMP REMAN	1	REMAN FOR RE507959
18	RE531864	CONTROL VALVE	1	SUB FOR RE530337; ORDER RE560091
18	RE560091	CONTROL VALVE	1	SUB FOR RE534109 OR RE532250
19	RE516336	FUEL TEMPERATURE SENSOR	1	
20	R524234	O-RING	1	
21	RE516999	SCREEN	1	
22	R516125	O-RING	1	
23	14M7298	FLANGE NUT	3	M8
24	R504577	ADAPTER FITTING	1	
25	AR65507	O-RING KIT	1	
26	R502541	GEAR	1	Z = 30
27	R91360	NUT	1	
28	R116031	O-RING	1	
29	RE517370	FITTING	1	
30	51M7044	O-RING	1	17.300 X 2.200 mm
31	RE544263	FUEL LINE	1	SUB FOR RE527055 OR RE507538
32	DZ104988	FUEL LINE	1	SUB FOR RE527054 AND RE544262

<https://www.ebooklibonline.com>

Hello dear friend!

Thank you very much for reading.

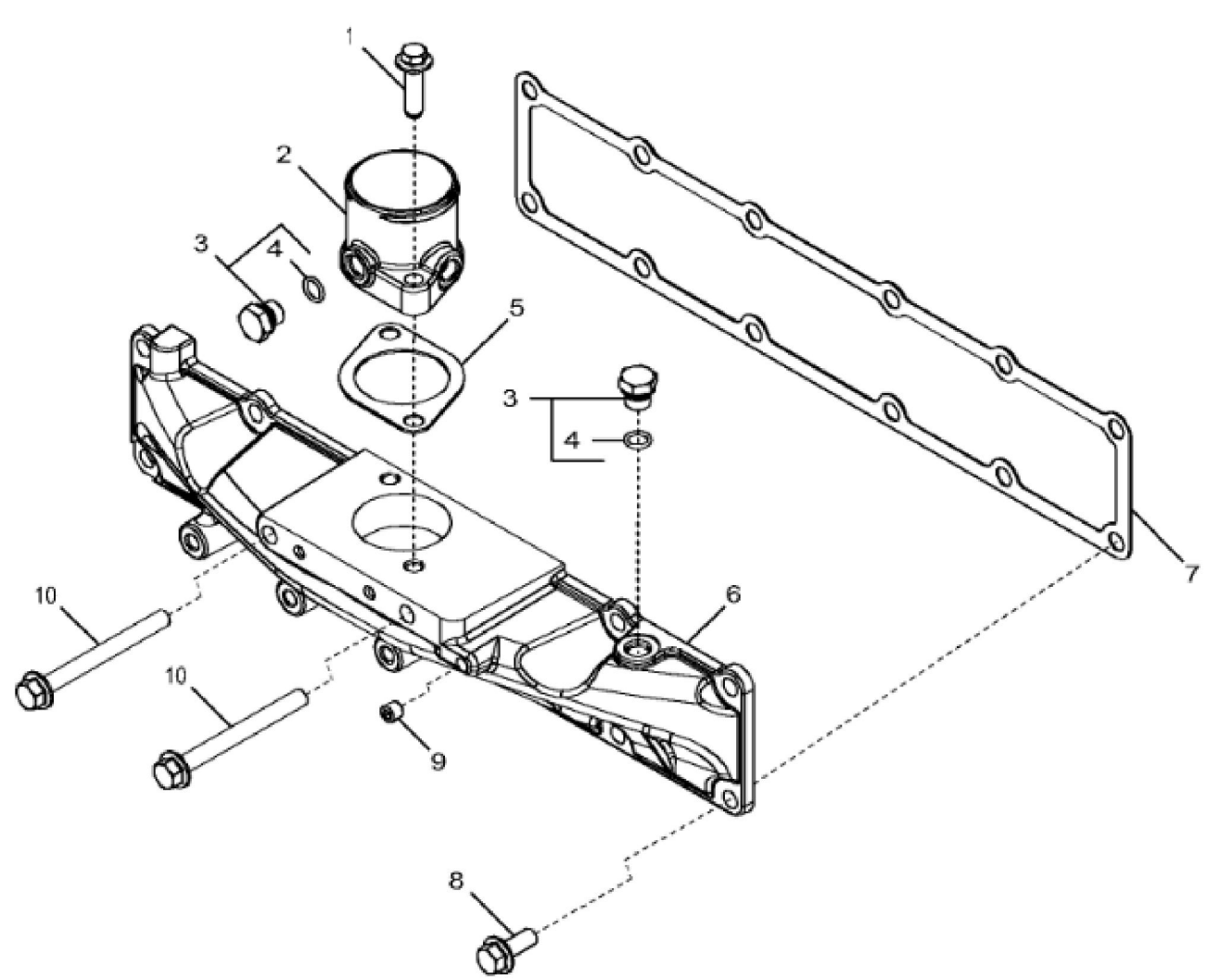
Enter the link into your browser.

The full manual is available for immediate download.

<https://www.ebooklibonline.com>

KEY	PART NO.	PART NAME	QTY	REMARKS	
33	19M7868	SCREW	2	M8 X 30	
34	R521530	BRACKET	1		
35	19M7785	SCREW	2	M10 X 25	
36	RE522596	RAIL	1	SUB FOR RE520928	
37	RE515636	RESTRICTOR	6		
38	RE516335	PRESSURE RELIEF VALVE	1	(With O-Ring) KIT; INCLUDES R515454	
39	RE520930	SENSOR	1		
40	R515454	SHIM	2		

John Deere > Construction And Forestry > EXCAVATOR > E260LC - EXCAVATOR > E260LC Excavator (PIN: 1YNE26AL_C500201-)(PIN: 1YNE26AL_D500201-)(Engine: 6068HXU01, 6068HT087) > 04A ENGINE 6068HXU01-RE545839 > 0400A ENGINE 6068HXU01-RE545839 6068HXU01 > ST72082 - 1797 INTAKE MANIFOLD



KEY	PART NO.	PART NAME	QTY	REMARKS	
1	R500394	SCREW	2		
2	R532018	AIR INTAKE	1	SUB FOR R505166	
3	RE46684	FITTING PLUG	2	INCLUDES 51M7041	
4	51M7041	O-RING	1	11.300 X 2.200 mm	
5	R81275	GASKET	1		
6	R515029	COVER	1		
7	R515030	GASKET	1		
8	19M7785	SCREW	10	M10 X 25	
9	RE71255	PIPE PLUG	1		
10	19M7812	SCREW	2	M10 X 100	



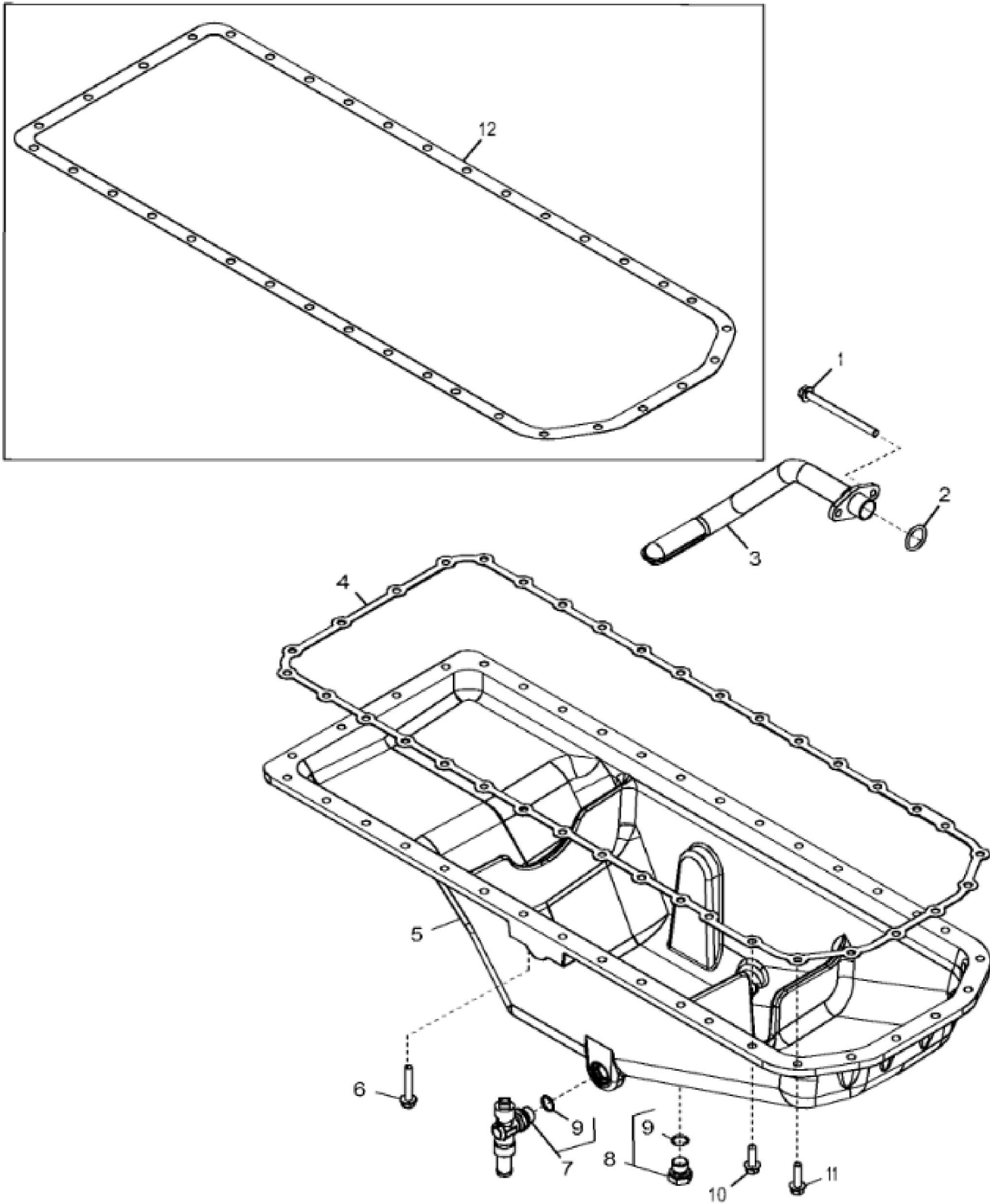
Suggest:

For more complete manuals. Please go to the home page.

<https://www.ebooklibonline.com>

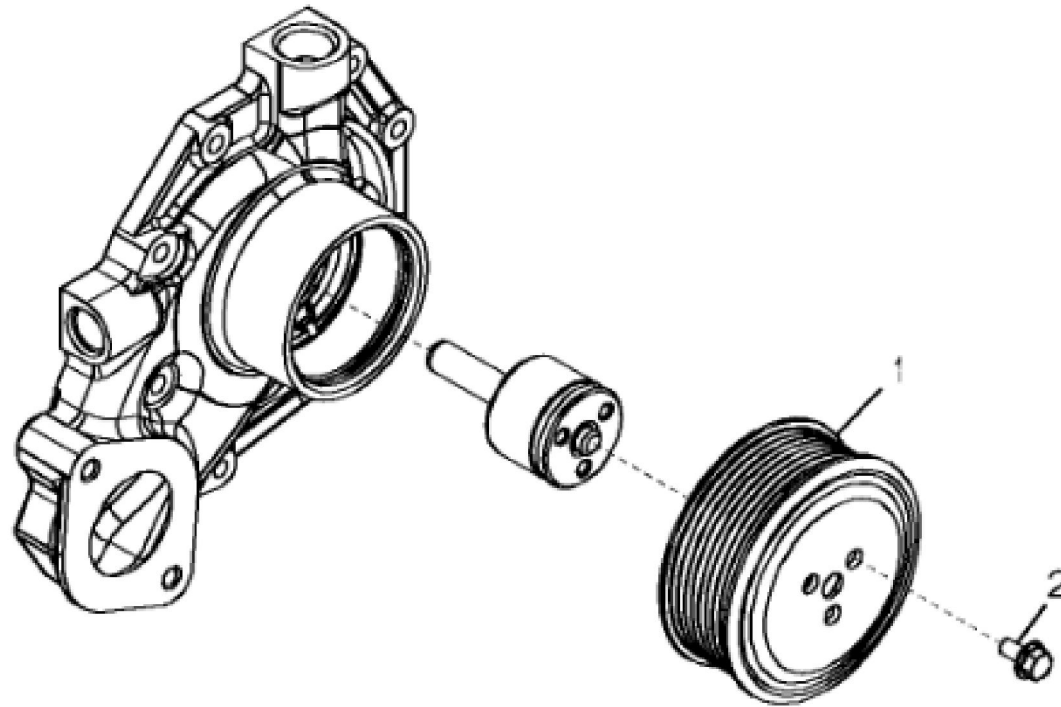
If the above button click is invalid. Please download this document first, and then click the above link to download the complete manual.

Thank you so much for reading



ENGINE 6068HXU01-RE545839 >0400A ENGINE 6068HXU01-RE545839 6068HXU01 >ST21529 - 1989 OIL PAN

KEY	PART NO.	PART NAME	QTY	REMARKS	
1	19M10075	SCREW	2	M8 X 110	
2	R61871	O-RING	1		
3	RE69898	OIL PUMP INTAKE	1		
4	R521498	GASKET	1	SUB FOR R123354	
5	R527787	OIL PAN	1	MARKED R529563	
6	19M7799	SCREW	4	M8 X 45	
7	RE507952	DRAIN VALVE	1		
8	RE46685	FITTING PLUG	1		
9	51M7043	O-RING	2	15.300 X 2.200 mm	
10	19M7867	SCREW	26	M8 X 25	
11	19M7868	SCREW	6	M8 X 30	
12	R123354	GASKET	1		



2001_RE58175_PCD

<https://www.ebooklibonline.com>

Hello dear friend!

Thank you very much for reading.

Enter the link into your browser.

The full manual is available for immediate download.

<https://www.ebooklibonline.com>