

ENGINE 4045HXU05-RE545837 >0400A ENGINE 4045HXU05-RE545837 4045HXU05 >ST742956 - 1193 ROCKER ARM COVER

KEY	PART NO.	PART NAME	QTY	REMARKS	
1	19M7386	CAP SCREW	2	M12 X 20	
2	24M7047	WASHER	2	13 X 24 X 2.500 mm	
3	R516708	HEAT SHIELD	1		
4	19M7774	SCREW	2	M6 X 12	
5	RE535517	FILLER CAP	1		
6	R521401	MEDALLION	1		
7	RE548712	VALVE COVER	1		
8	H23125	PLUG	5		
9	R521390	SCREW	5		
10	R123575	O-RING	5		
11	R524499	GASKET	1		
12	R515555	DEFLECTOR	1		
13	19M7775	SCREW	2	M6 X 16	

<https://www.ebooklibonline.com>

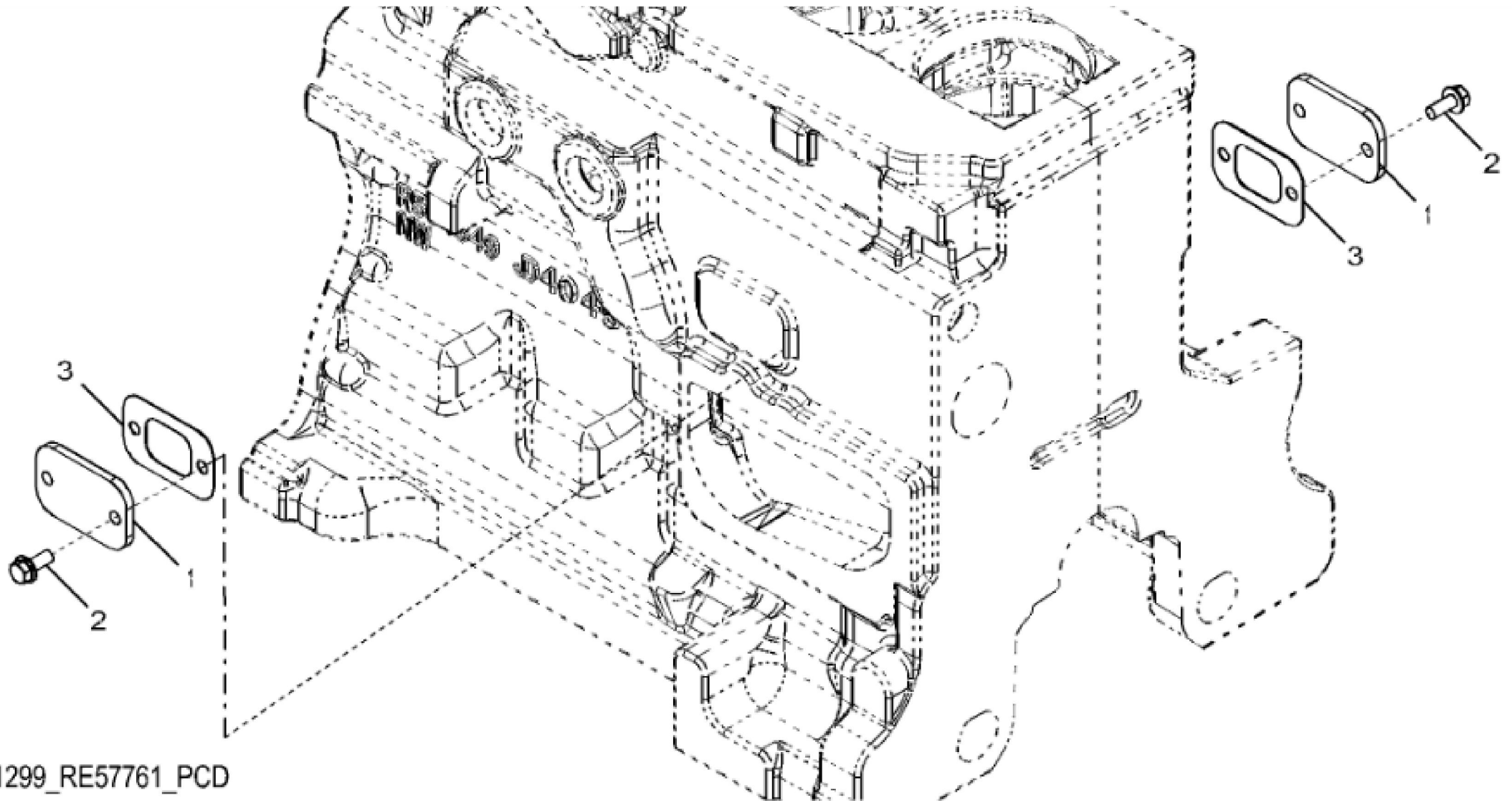
Hello dear friend!

Thank you very much for reading.

Enter the link into your browser.

The full manual is available for immediate download.

<https://www.ebooklibonline.com>



John Deere > Construction And Forestry > EXCAVATOR > E230LC - EXCAVATOR > E230LC Excavator (PIN: 1YNE23AL_C400201-)(PIN: 1YNE23AL_D400202-)(Engine: 4045HXU05, 4045HXU04) > 04A
ENGINE 4045HXU05-RE545837 > 0400A ENGINE 4045HXU05-RE545837 4045HXU05 > ST73498 - 1299 OIL FILLER NECK COVER

KEY	PART NO.	PART NAME	QTY	REMARKS	
1	R116296	COVER	2		
2	RE67238	SCREW	4	(Threads With Pre-Applied Sealant) M8 X 20	
3	R136495	GASKET	2		



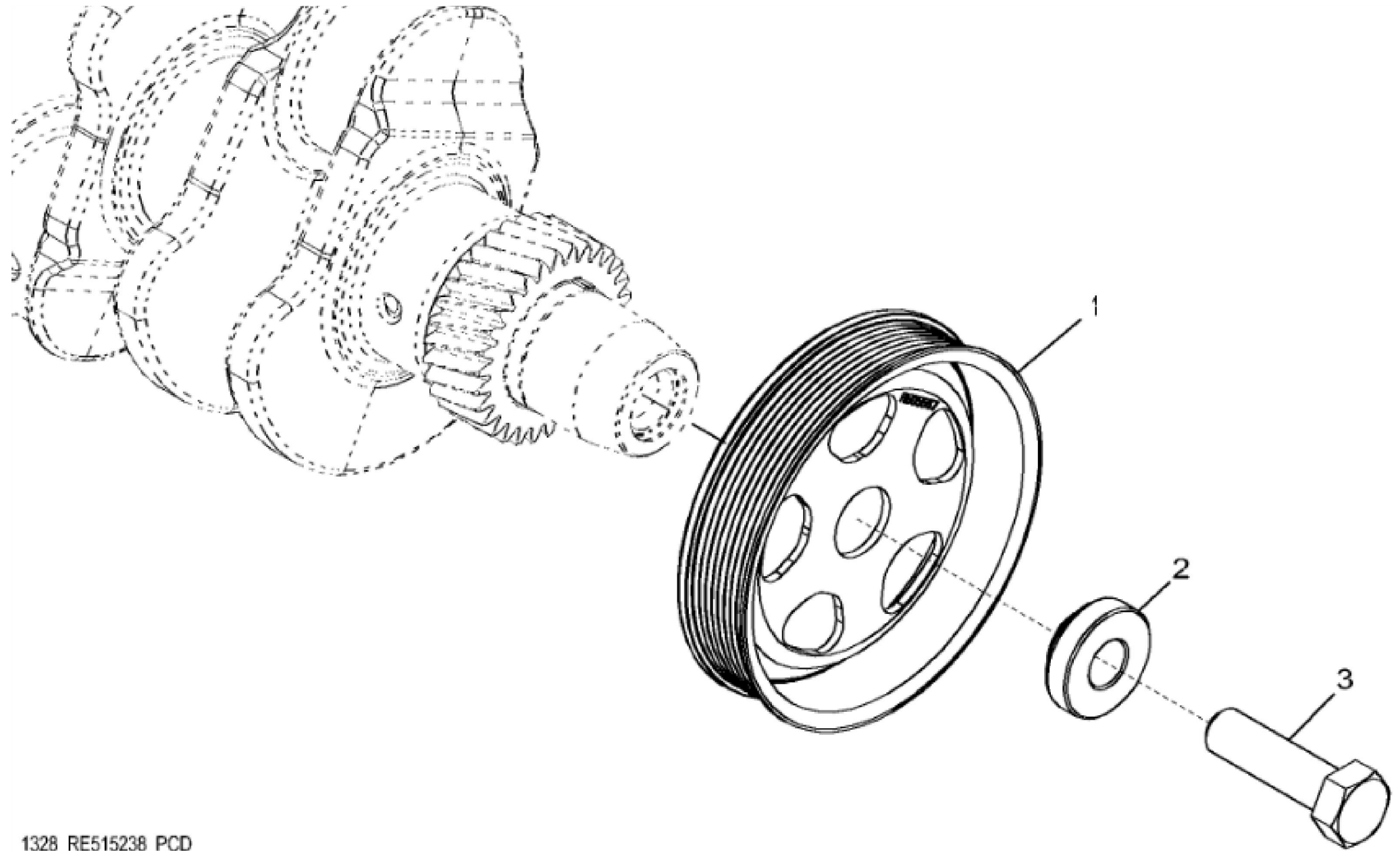
Suggest:

For more complete manuals. Please go to the home page.

<https://www.ebooklibonline.com>

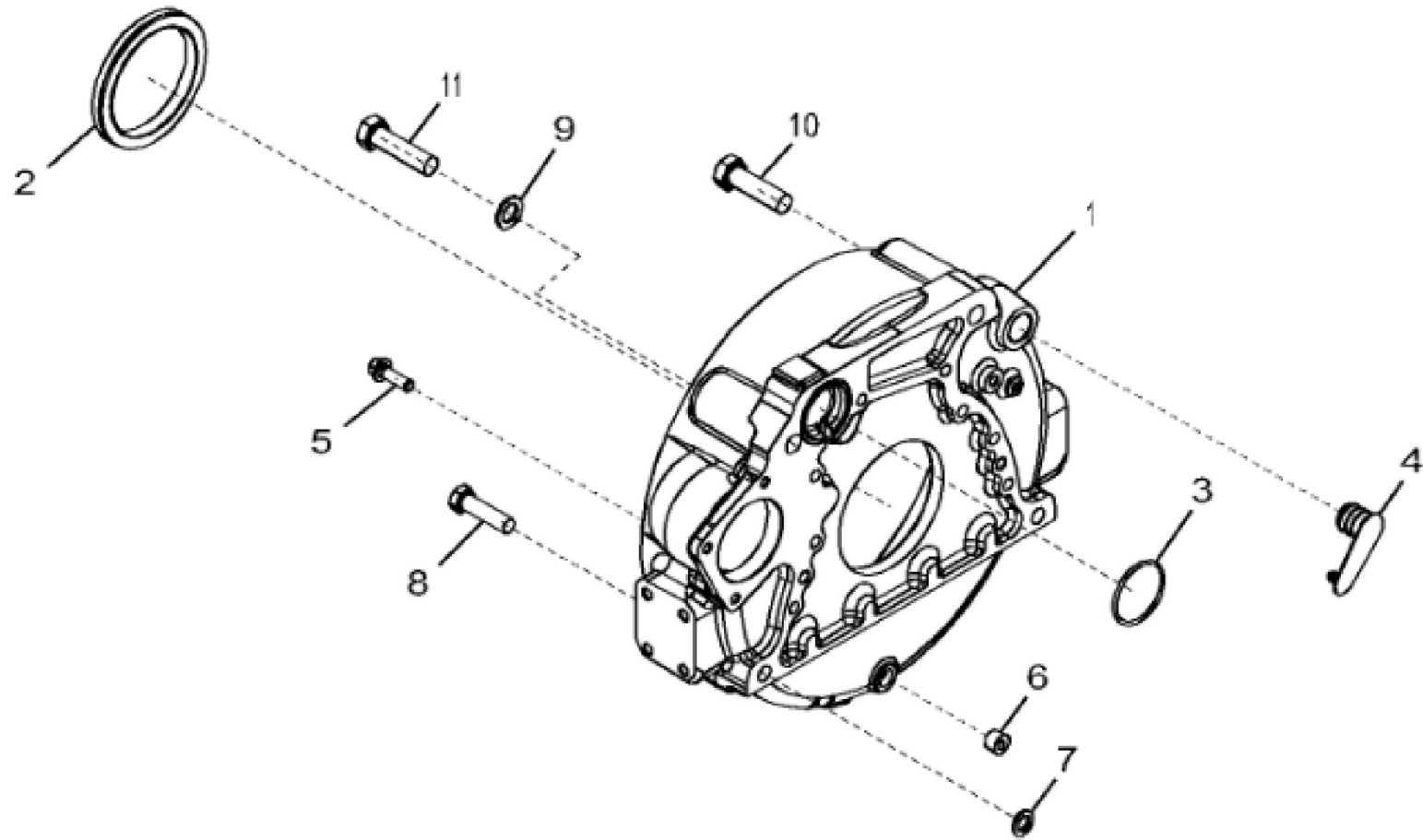
If the above button click is invalid. Please download this document first, and then click the above link to download the complete manual.

Thank you so much for reading



1328_RE515238_PCD

KEY	PART NO.	PART NAME	QTY	REMARKS	
1	R505567	PULLEY	1	OD = 173 mm	
2	R515040	BUSHING	1	OD = 50 mm	
3	R516648	CAP SCREW	1	(One Time Usage) M20 X 70	



14BD_RE554987_PCD

<https://www.ebooklibonline.com>

Hello dear friend!

Thank you very much for reading.

Enter the link into your browser.

The full manual is available for immediate download.

<https://www.ebooklibonline.com>