

John Deere > Construction And Forestry > EXCAVATOR > E210LC - EXCAVATOR > E210LC Excavator (PIN: 1YNE21AL__C400021-C400200) > 04 ENGINE 4045HXU05-RE545837 > 0400 ENGINE 4045HXU05-RE545837 4045HXU05 > ST772104 - 2695 ENGINE COOLANT HEATER

| KEY | PART NO. | PART NAME | QTY | REMARKS | |
|-----|----------|-----------------|-----|-------------------|--|
| 1 | RE507952 | DRAIN VALVE | 2 | | |
| 2 | 51M7043 | O-RING | 3 | 15.300 X 2.200 mm | |
| 3 | R123616 | PLUG | 1 | | |
| 4 | RE520229 | ADAPTER FITTING | 1 | | |
| 5 | U13639 | O-RING | 1 | | |
| 6 | RE565310 | PLUG | 1 | | |

<https://www.ebooklibonline.com>

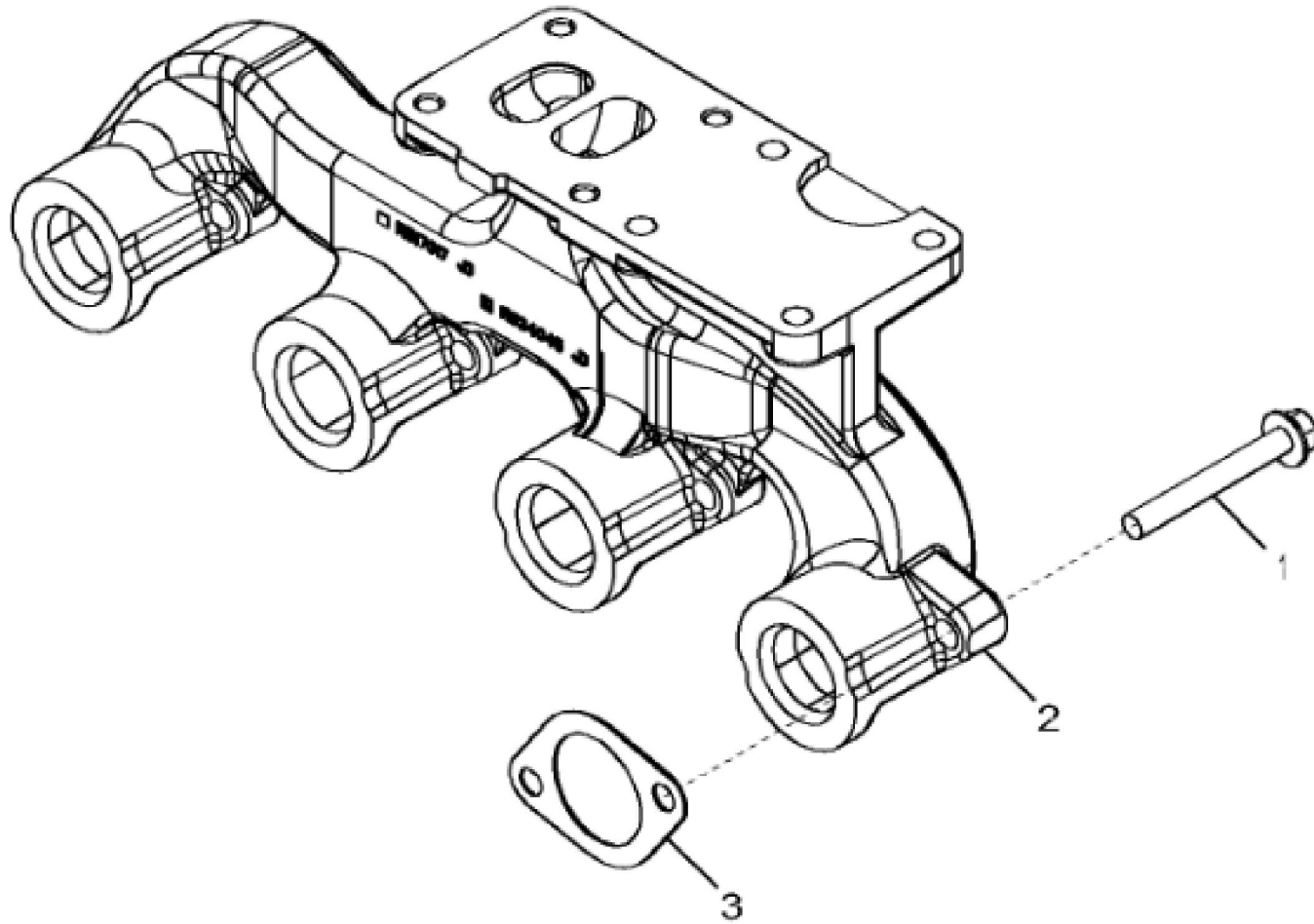
Hello dear friend!

Thank you very much for reading.

Enter the link into your browser.

The full manual is available for immediate download.

<https://www.ebooklibonline.com>



28BM_RE549325_PCD

John Deere > Construction And Forestry > EXCAVATOR > E210LC - EXCAVATOR > E210LC Excavator (PIN: 1YNE21AL__C400021-C400200) > 04 ENGINE 4045HXU05-RE545837 > 0400 ENGINE 4045HXU05-RE545837 4045HXU05 > ST742805 - 28BM EXHAUST MANIFOLD

| KEY | PART NO. | PART NAME | QTY | REMARKS | |
|-----|----------|------------------|-----|----------------|--|
| 1 | 19M7810 | SCREW | 8 | M10 X 80 | |
| 2 | R534045 | EXHAUST MANIFOLD | 1 | MARKED R517017 | |
| 3 | R521439 | GASKET | 4 | | |



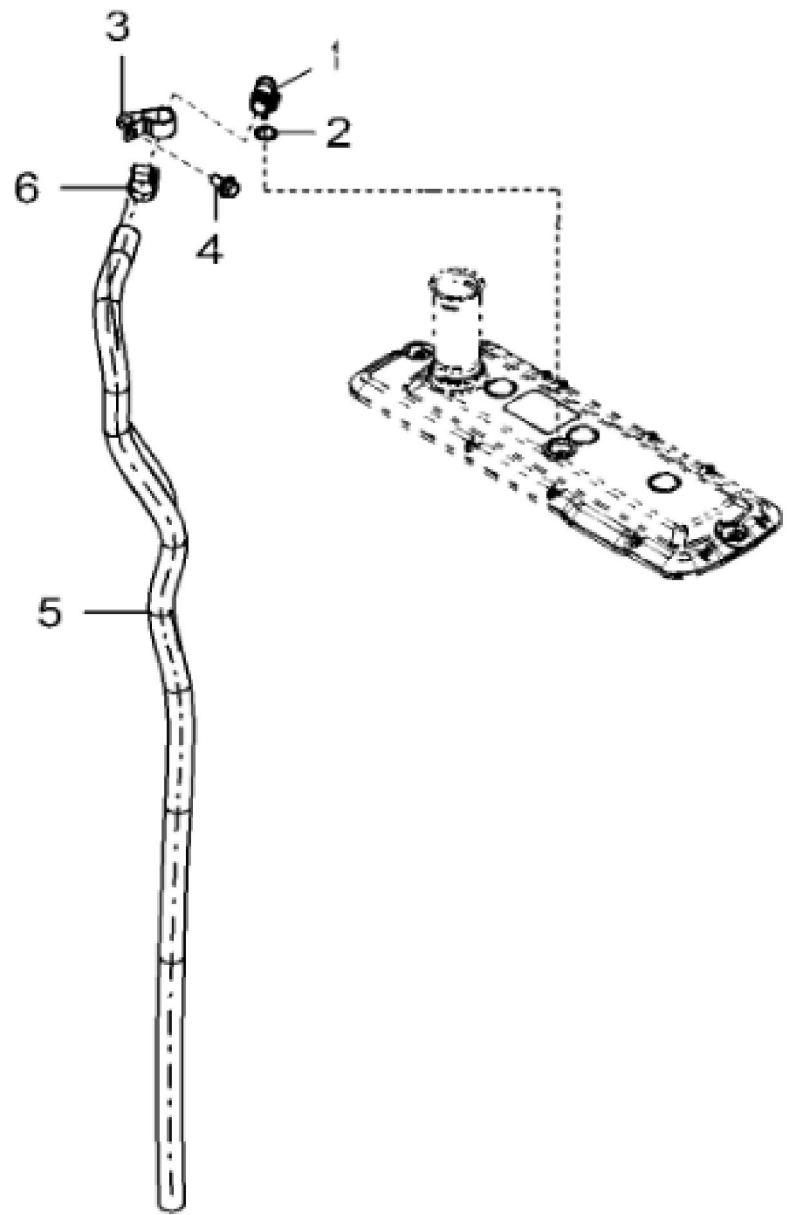
Suggest:

For more complete manuals. Please go to the home page.

<https://www.ebooklibonline.com>

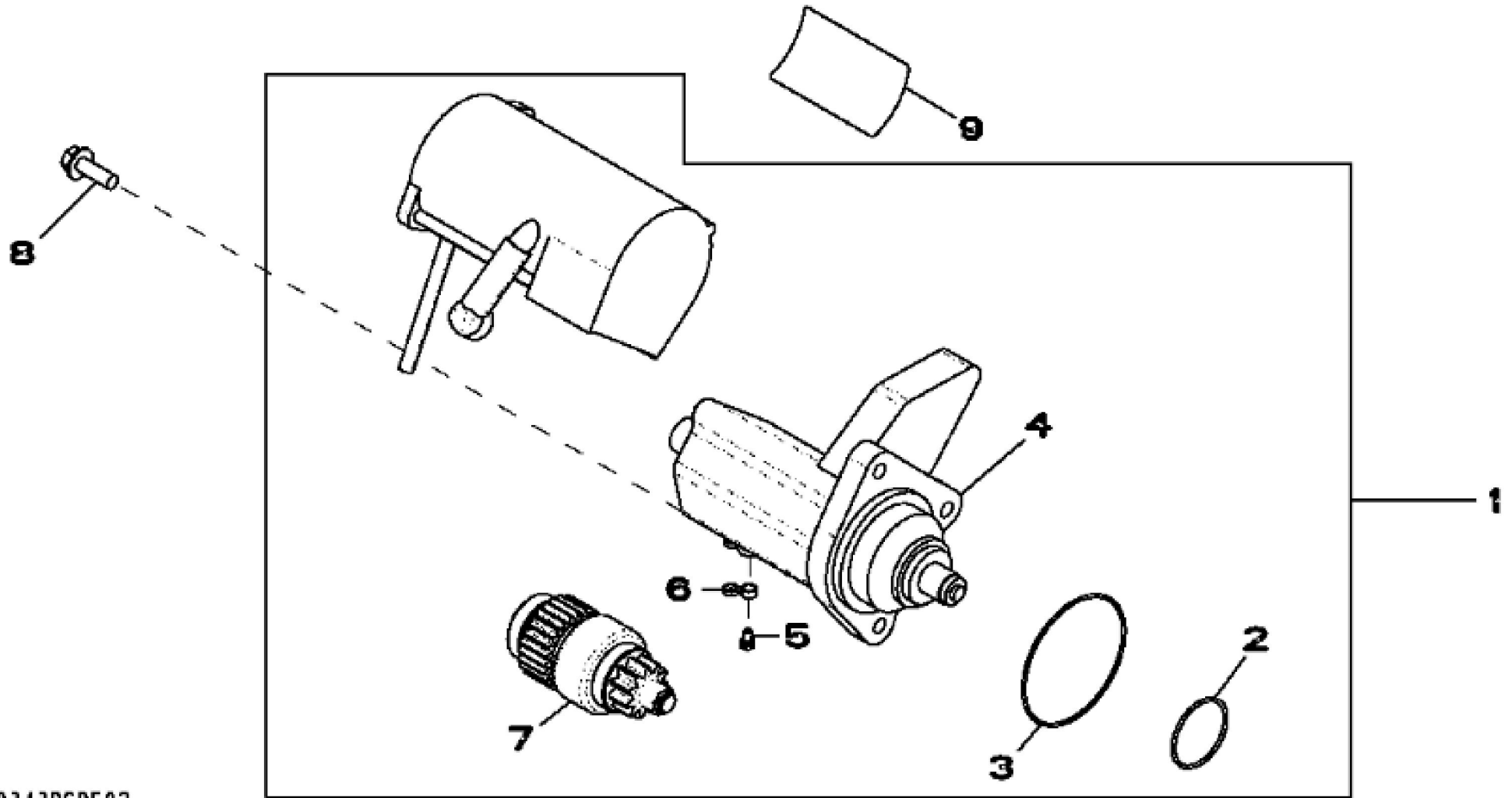
If the above button click is invalid. Please download this document first, and then click the above link to download the complete manual.

Thank you so much for reading



John Deere > Construction And Forestry > EXCAVATOR > E210LC - EXCAVATOR > E210LC Excavator (PIN: 1YNE21AL__C400021-C400200) > 04 ENGINE 4045HXU05-RE545837 > 0400 ENGINE 4045HXU05-RE545837 4045HXU05 > ST863338 - 29CJ VENTILATION SYSTEM

| KEY | PART NO. | PART NAME | QTY | REMARKS | |
|-----|----------|---------------|-----|-----------------|--|
| 1 | R120467 | ELBOW FITTING | 1 | | |
| 2 | R72328 | O-RING | 1 | | |
| 3 | NF101711 | HOSE CLAMP | 1 | | |
| 4 | 19M7784 | SCREW | 1 | M10 X 20 | |
| 5 | R134139 | HOSE | 1 | | |
| 6 | RE65978 | CLAMP | 1 | SUB FOR RE62322 | |



RE500343PCDE02

<https://www.ebooklibonline.com>

Hello dear friend!

Thank you very much for reading.

Enter the link into your browser.

The full manual is available for immediate download.

<https://www.ebooklibonline.com>