

John Deere > Construction And Forestry > EXCAVATOR > E210 - EXCAVATOR > E210 Excavator (PIN: 1YNE21A\_\_C400201- )(PIN: 1YNE21A\_\_D400204- )(Engine: 4045HXU05, 4045HXU04) > 04A ENGINE  
 4045HXU05-RE545837 > 0400A ENGINE 4045HXU05-RE545837 4045HXU05 > ST742956 - 1193 ROCKER ARM COVER

KEY	PART NO.	PART NAME	QTY	REMARKS
1	19M7386	CAP SCREW	2	M12 X 20
2	24M7047	WASHER	2	13 X 24 X 2.500 mm
3	R516708	HEAT SHIELD	1	
4	19M7774	SCREW	2	M6 X 12
5	RE535517	FILLER CAP	1	
6	R521401	MEDALLION	1	
7	RE548712	VALVE COVER	1	
8	H23125	PLUG	5	
9	R521390	SCREW	5	
10	R123575	O-RING	5	
11	R524499	GASKET	1	
12	R515555	DEFLECTOR	1	
13	19M7775	SCREW	2	M6 X 16

**<https://www.ebooklibonline.com>**

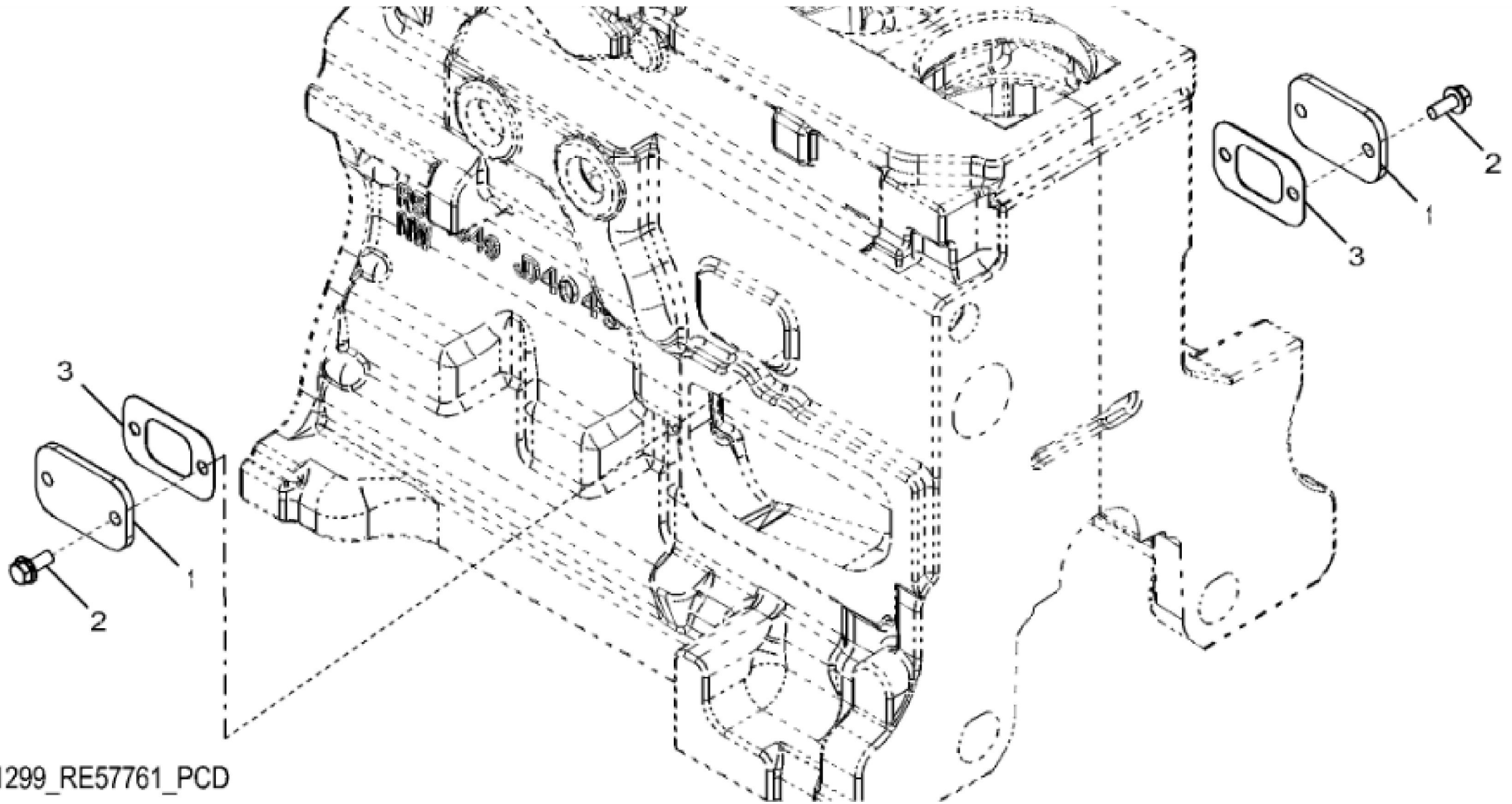
Hello dear friend!

Thank you very much for reading.

Enter the link into your browser.

The full manual is available for immediate download.

**<https://www.ebooklibonline.com>**



1299\_RE57761\_PCD

John Deere > Construction And Forestry > EXCAVATOR > E210 - EXCAVATOR > E210 Excavator (PIN: 1YNE21A\_\_C400201- )(PIN: 1YNE21A\_\_D400204- )(Engine: 4045HXU05, 4045HXU04) > 04A ENGINE 4045HXU05-RE545837 > 0400A ENGINE 4045HXU05-RE545837 4045HXU05 > ST73498 - 1299 OIL FILLER NECK COVER

KEY	PART NO.	PART NAME	QTY	REMARKS	
1	R116296	COVER	2		
2	RE67238	SCREW	4	(Threads With Pre-Applied Sealant) M8 X 20	
3	R136495	GASKET	2		



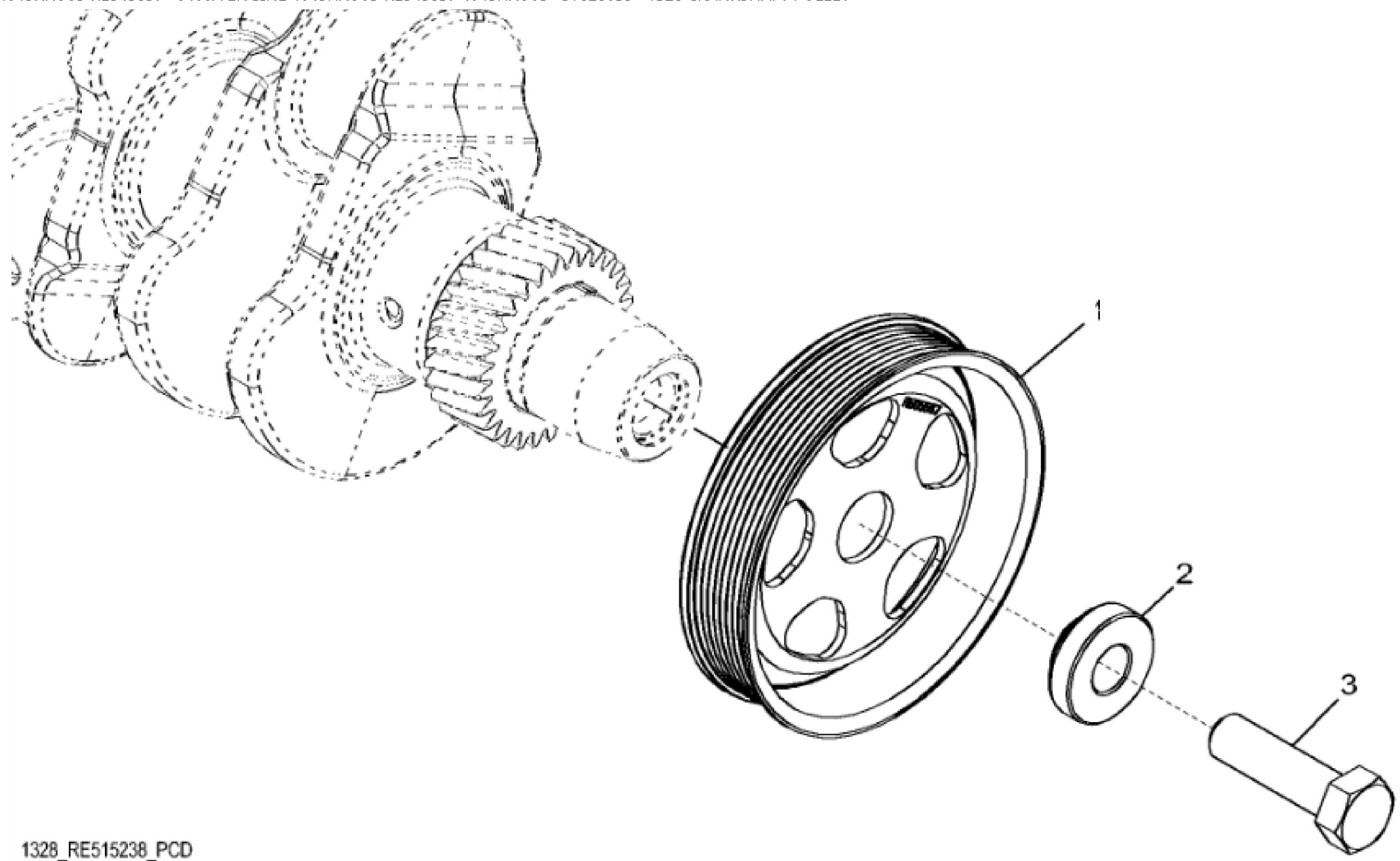
**Suggest:**

**For more complete manuals. Please go to the home page.**

**<https://www.ebooklibonline.com>**

**If the above button click is invalid. Please download this document first, and then click the above link to download the complete manual.**

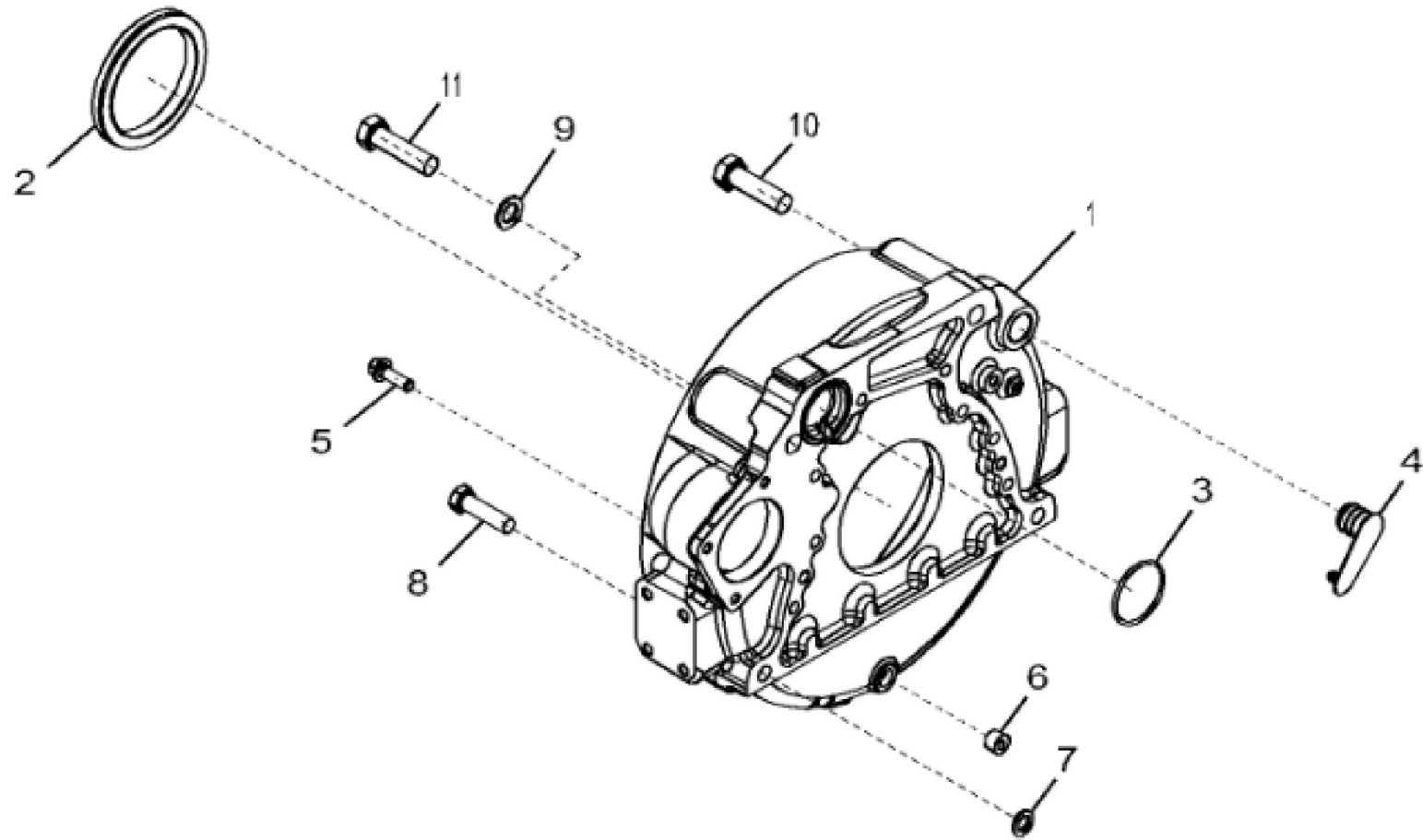
**Thank you so much for reading**



1328\_RE515238\_PCD

John Deere > Construction And Forestry > EXCAVATOR > E210 - EXCAVATOR > E210 Excavator (PIN: 1YNE21A\_\_C400201- )(PIN: 1YNE21A\_\_D400204- )(Engine: 4045HXU05, 4045HXU04) > 04A ENGINE 4045HXU05-RE545837 > 0400A ENGINE 4045HXU05-RE545837 4045HXU05 > ST628039 - 1328 CRANKSHAFT PULLEY

KEY	PART NO.	PART NAME	QTY	REMARKS	
1	R505567	PULLEY	1	OD = 173 mm	
2	R515040	BUSHING	1	OD = 50 mm	
3	R516648	CAP SCREW	1	(One Time Usage) M20 X 70	



14BD\_RE554987\_PCD

**<https://www.ebooklibonline.com>**

Hello dear friend!

Thank you very much for reading.

Enter the link into your browser.

The full manual is available for immediate download.

**<https://www.ebooklibonline.com>**