

1299_RE57761_PCD

John Deere > Construction And Forestry > EXCAVATOR > E140LC - EXCAVATOR > E140LC Excavator (PIN: 1YNE14AL_ _D300009-) > 04 ENGINE 4045HXU01-RE545833 > 0400 ENGINE 4045HXU01-RE545833
4045HXU01 > ST73498 - 1299 OIL FILLER NECK COVER

KEY	PART NO.	PART NAME	QTY	REMARKS	
1	R116296	COVER	2		
2	RE67238	SCREW	4	(Threads With Pre-Applied Sealant) M8 X 20	
3	R136495	GASKET	2		

<https://www.ebooklibonline.com>

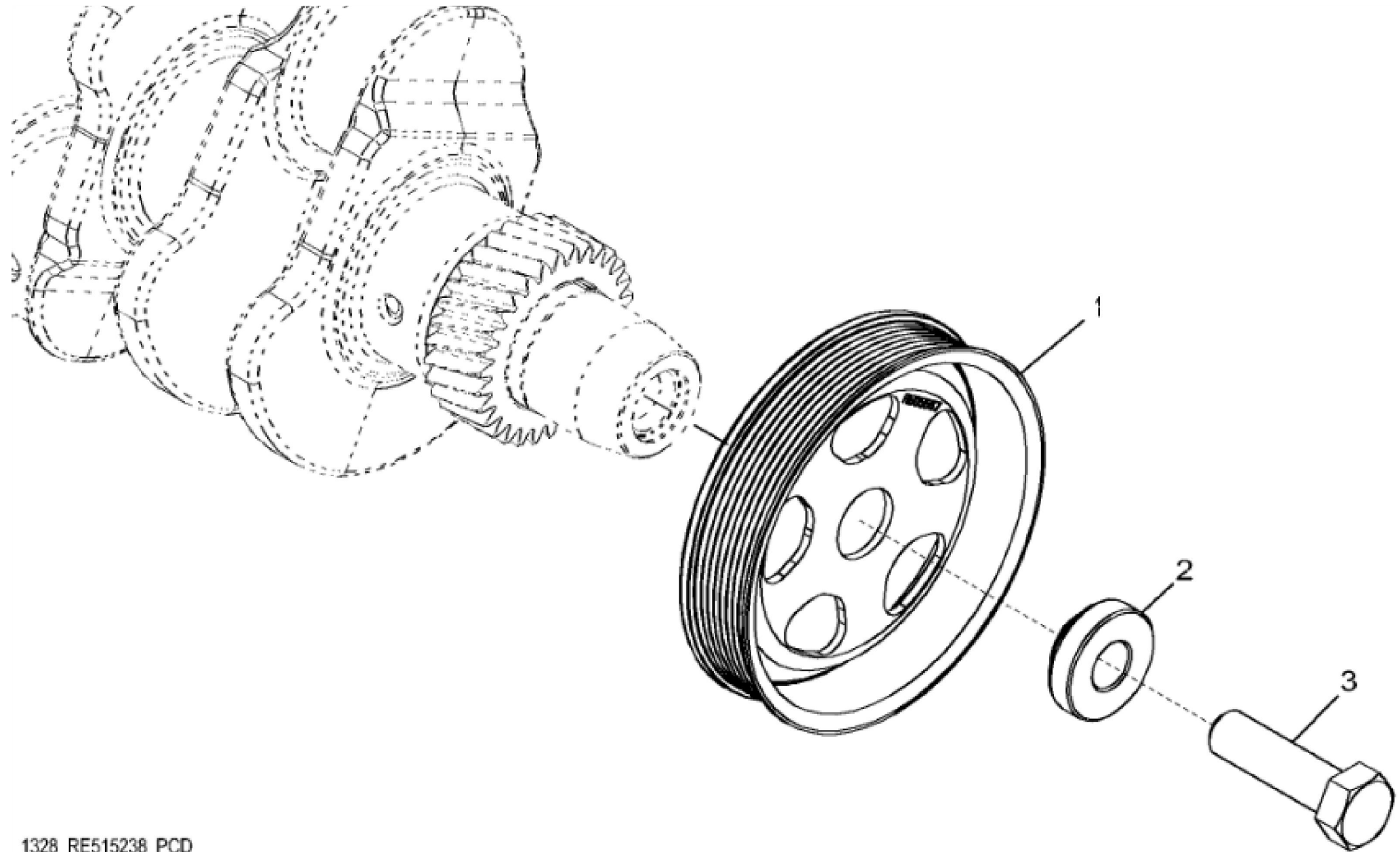
Hello dear friend!

Thank you very much for reading.

Enter the link into your browser.

The full manual is available for immediate download.

<https://www.ebooklibonline.com>



1328_RE515238_PCD

John Deere > Construction And Forestry > EXCAVATOR > E140LC - EXCAVATOR > E140LC Excavator (PIN: 1YNE14AL_ _D300009-) > 04 ENGINE 4045HXU01-RE545833 > 0400 ENGINE 4045HXU01-RE545833
4045HXU01 > ST628039 - 1328 CRANKSHAFT PULLEY

KEY	PART NO.	PART NAME	QTY	REMARKS	
1	R505567	PULLEY	1	OD = 173 mm	
2	R515040	BUSHING	1	OD = 50 mm	
3	R516648	CAP SCREW	1	(One Time Usage) M20 X 70	



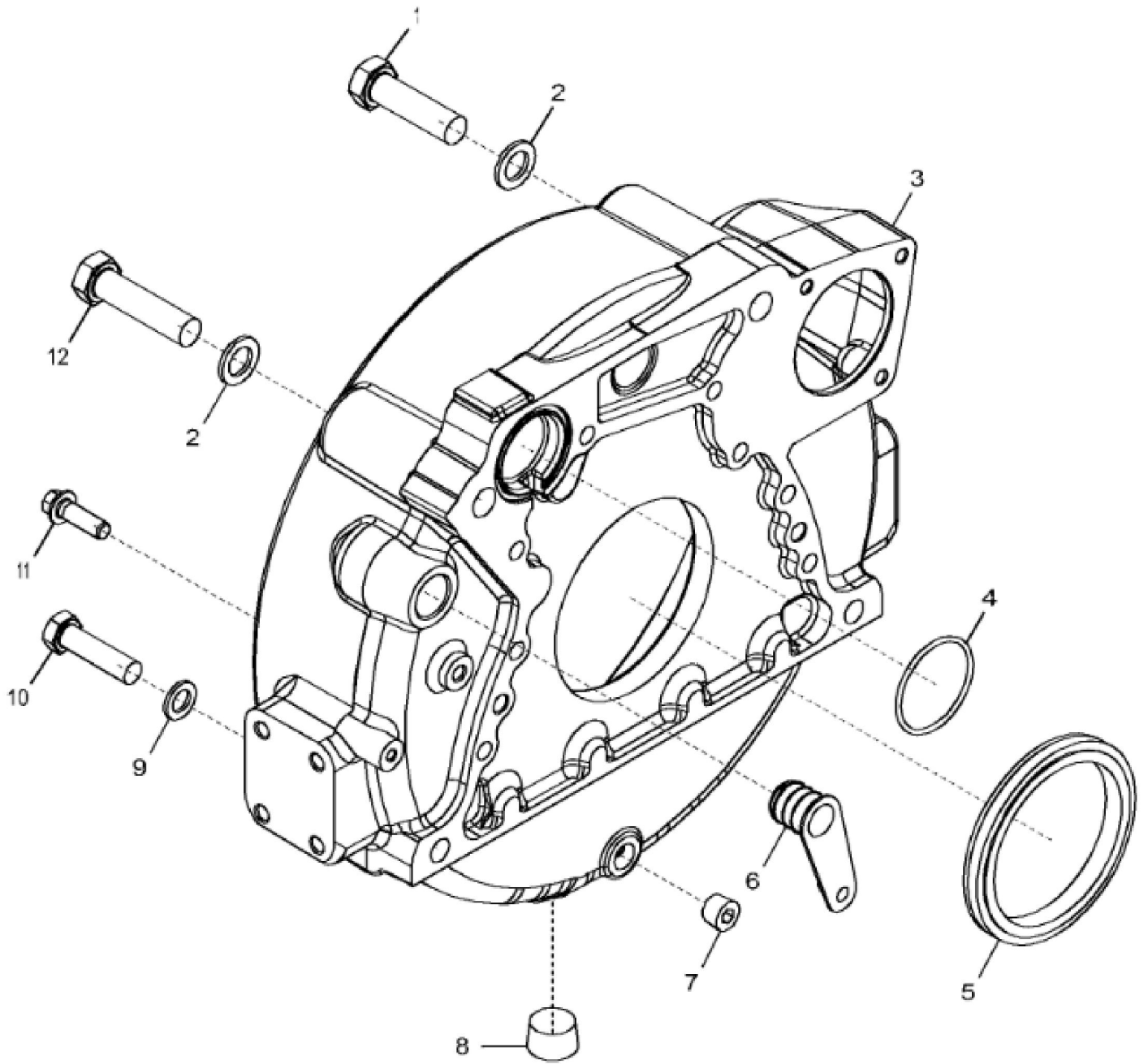
Suggest:

For more complete manuals. Please go to the home page.

<https://www.ebooklibonline.com>

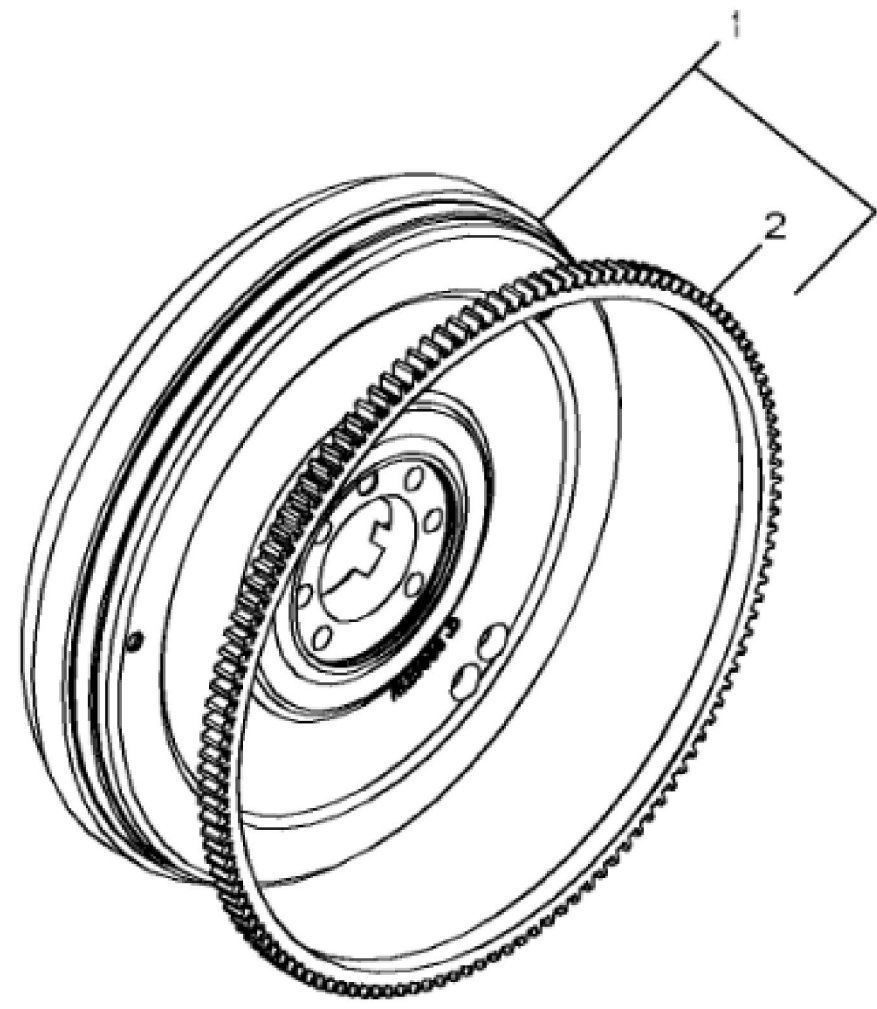
If the above button click is invalid. Please download this document first, and then click the above link to download the complete manual.

Thank you so much for reading



John Deere > Construction And Forestry > EXCAVATOR > E140LC - EXCAVATOR > E140LC Excavator (PIN: 1YNE14AL_ _D300009-) > 04 ENGINE 4045HXU01-RE545833 > 0400 ENGINE 4045HXU01-RE545833
4045HXU01 > ST881200 - 14BE FLYWHEEL HOUSING

KEY	PART NO.	PART NAME	QTY	REMARKS	
1	19M8639	CAP SCREW	1	M20 X 70	
2	24M7396	WASHER	2	21 X 34 X 3 mm	
3	R536574	HOUSING	1	MARKED R536575	
4	U12198	O-RING	1		
5	RE537070	SEAL	1	SUB FOR APPL RE524227	
6	R131769	PLUG	1	SUB FOR APPL R131767	
7	15H584	PIPE PLUG	1	1/2"	
8	15H653	PIPE PLUG	1	1"	
9	R73290	WASHER	2		
10	19M7759	CAP SCREW	2	M16 X 60	
11	R135918	BOLT	8		
12	19M7892	CAP SCREW	1	M20 X 80	



1509_RE59289_PCD

<https://www.ebooklibonline.com>

Hello dear friend!

Thank you very much for reading.

Enter the link into your browser.

The full manual is available for immediate download.

<https://www.ebooklibonline.com>