

MP31760

KEY	PART NO.	PART NAME	QTY	REMARKS
1	M70227	PIN	2	
2	UP04731	ENGINE CYLINDER HEAD GASKET	1	
3	M68144	STUD	2	NLA; ORDER MIU11949
3	MIU11949	BOLT	2	
4	19M8318	SCREW	6	M8 X 45
5	UP04732	CYLINDER HEAD	1	
6	M73817	VALVE	1	
7	W40494	PLATE	1	
8	M95848	SCREW	1	
9	UP04733	GASKET	1	
10	UP04734	CASE	1	
11	W40499	O-RING	2	
12	19M8290	SCREW	2	M6 X 35
13	M88987	SEAL	1	
14	PIPE	1	(PRESS FIT)
15	M97289	SEAL	1	
16	AM134884	CRANKCASE	1	(SUB FOR AM133549)
17	M74252	PIN	2	
18	UP04711	BALL BEARING	2	
19	UP04766	DEFLECTOR	1	
20	M95848	SCREW	2	
21	M149984	GASKET	1	
22	M149986	COVER	1	
23	M88447	STUD	2	
24	19M7798	SCREW	4	M8 X 40, (ENGINE MOUNT)
25	14M7396	LOCK NUT	4	M8
26	UP04712	BOLT	8	
27	PT18249	SEAL	1	
..	AM133541	SHORT BLOCK ASSEMBLY	1	
..	AM132627	GASOLINE ENGINE	1	(MARKED FE250D-AS11) (SUB AM133541)
..	AM134777	GASOLINE ENGINE	1	(MARKED FE250D-BS11) (SUB AM133541)

<https://www.ebooklibonline.com>

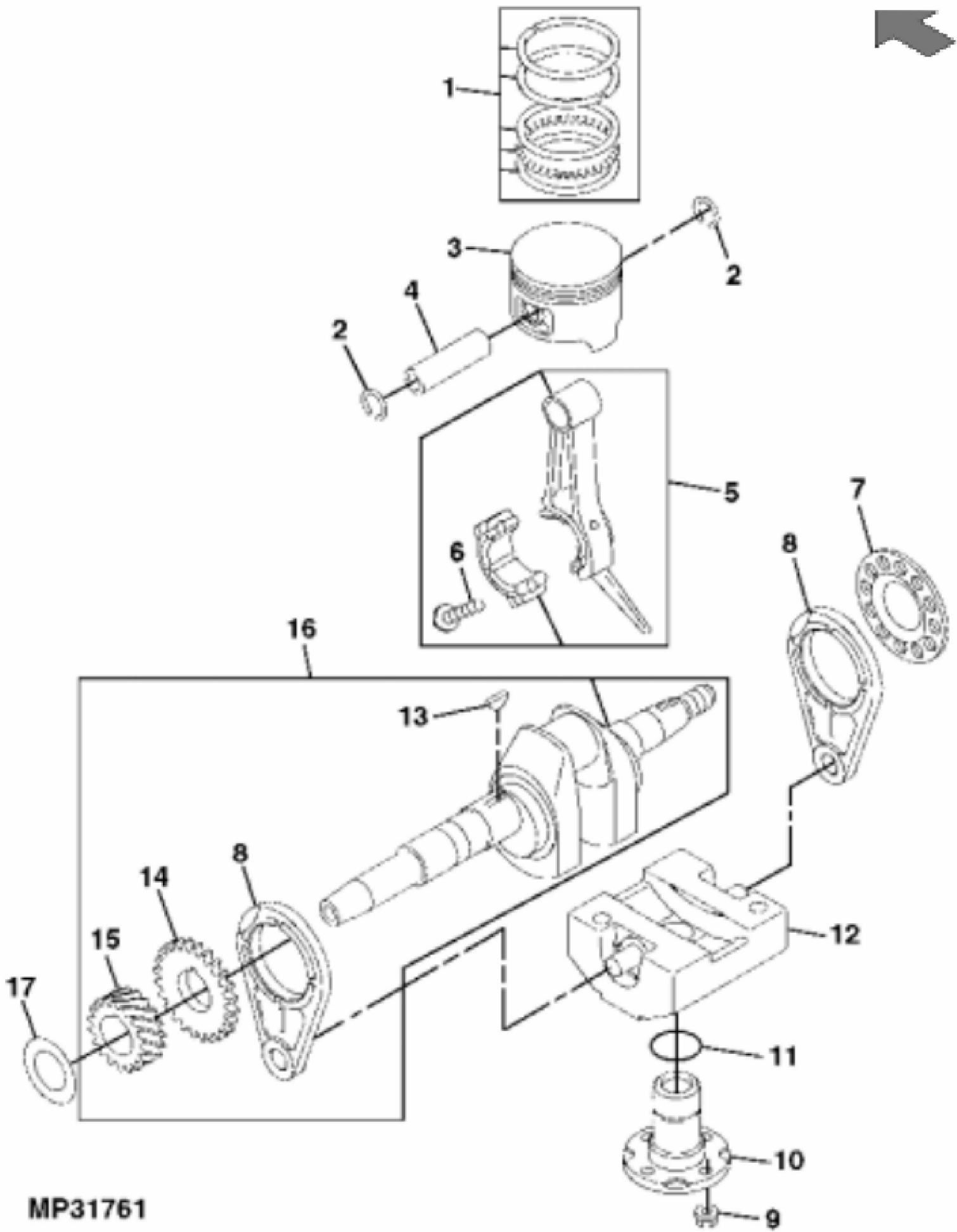
Hello dear friend!

Thank you very much for reading.

Enter the link into your browser.

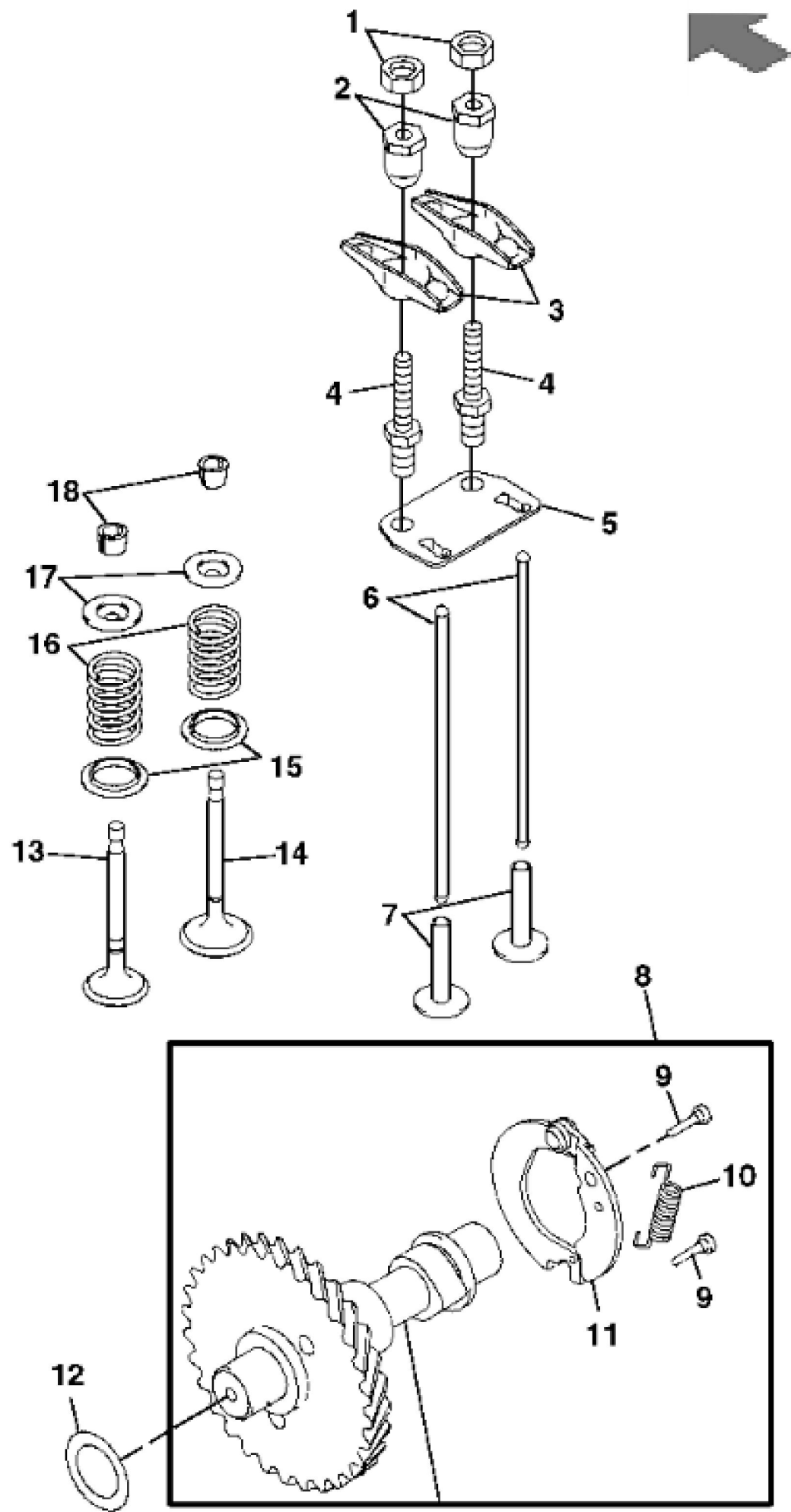
The full manual is available for immediate download.

<https://www.ebooklibonline.com>



MP31761

KEY	PART NO.	PART NAME	QTY	REMARKS	
1	UP04749	PISTON RING KIT	1	(STD)	
1	UP04750	PISTON RING KIT	1	.50MM (.020") , OS	
2	UP04707	SNAP RING	2		
3	UP04747	PISTON	1	(STD)	
3	MIU13853	PISTON	1	.50MM (.020") , SUB FOR UP04751	
4	UP04748	PISTON PIN	1		
5	UP04756	CONNECTING ROD	1		
6	M147310	BOLT	2		
7	M70226	SPACER	1		
8	UP04727	ROD	2		
9	M70097	NUT	4		
10	M70095	SHAFT	1		
11	M70096	O-RING	1		
12	UP04753	COUNTERWEIGHT	1		
13	M77843	SHAFT KEY	1		
14	M70222	SPUR GEAR	1		
15	UP04693	HELICAL GEAR	1		
16	AM133552	CRANKSHAFT	1		
17	AM102616	KIT	1	SHIM	



MP31762



Suggest:

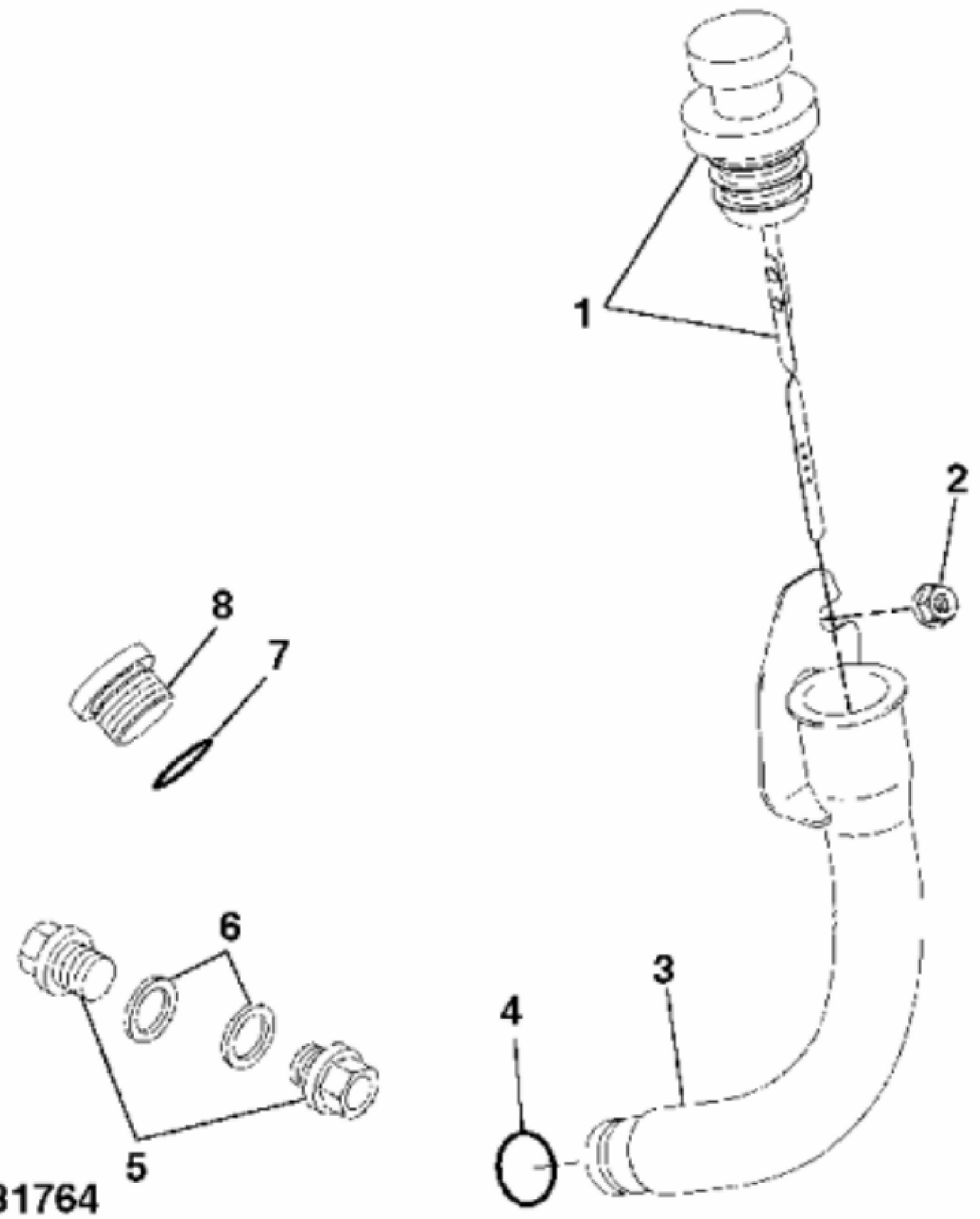
For more complete manuals. Please go to the home page.

<https://www.ebooklibonline.com>

If the above button click is invalid. Please download this document first, and then click the above link to download the complete manual.

Thank you so much for reading

KEY	PART NO.	PART NAME	QTY	REMARKS
1	M77603	NUT	2	
2	M92891	NUT	2	
3	UP04739	ROCKER ARM	2	
4	PT18351	BOLT	2	
5	UP04754	GUIDE	1	
6	UP04755	PUSH ROD	2	
7	M70213	TAPPET	2	
8	UP04672	CAMSHAFT	1	
9	M70043	PIN	2	
10	M70044	SPRING	1	
11	UP04719	VALVE	1	CYLINDER PRESSURE RELIEF
12	UP04769	SHIM	1	.30MM (.012")
12	UP04770	SHIM	1	.40MM (.016")
12	UP04771	SHIM	1	.50MM (.020")
12	M150008	SHIM	1	.20MM (.007")
13	UP04737	VALVE	1	EXHAUST
14	UP04736	VALVE	1	INTAKE
15	UP04759	SEAT	2	
16	UP04729	SPRING	2	VALVE
17	UP04738	RETAINER	2	
18	M118845	RETAINER	2	



MP31764

<https://www.ebooklibonline.com>

Hello dear friend!

Thank you very much for reading.

Enter the link into your browser.

The full manual is available for immediate download.

<https://www.ebooklibonline.com>