

MP33000

KEY	PART NO.	PART NAME	QTY	REMARKS
1	C420296652	CRANKCASE	1	
2	C420632010	PIN	4	
3	C420929650	PIN	2	
4	C420440322	SCREW	4	M6 X 45
5	C420933492	BEARING	1	
6	C420933495	BEARING	1	
7	C420233740	BEARING	1	
8	C420233745	BEARING	1	
9	C420630152	SEAL	1	
10	C420632200	BALL BEARING	1	
11	C420932825	BALL BEARING	2	
12	C420241526	SCREW	1	M6 X 16
13	C420950089	SEAL	1	SUB FOR C420950087
14	C420832240	NEEDLE BEARING	1	
15	C420232085	NEEDLE BEARING	1	
16	C420632290	BALL BEARING	1	
17	C420932432	BALL BEARING	1	
18	C420930392	SEAL	1	
19	C420650310	SEAL	1	
20	C420250450	SEAL	1	
21	C420850902	O-RING	1	(SUB FOR C420850900)
22	C420440342	SCREW	2	M6 X 85
23	C420440322	SCREW	13	M6 X 45
24	C420440412	SCREW	2	M8 X 90
25	C420440372	SCREW	1	M8 X 25
26	C420950141	RING	1	
27	C420630180	GASKET	1	
28	C420950180	O-RING	1	

<https://www.ebooklibonline.com>

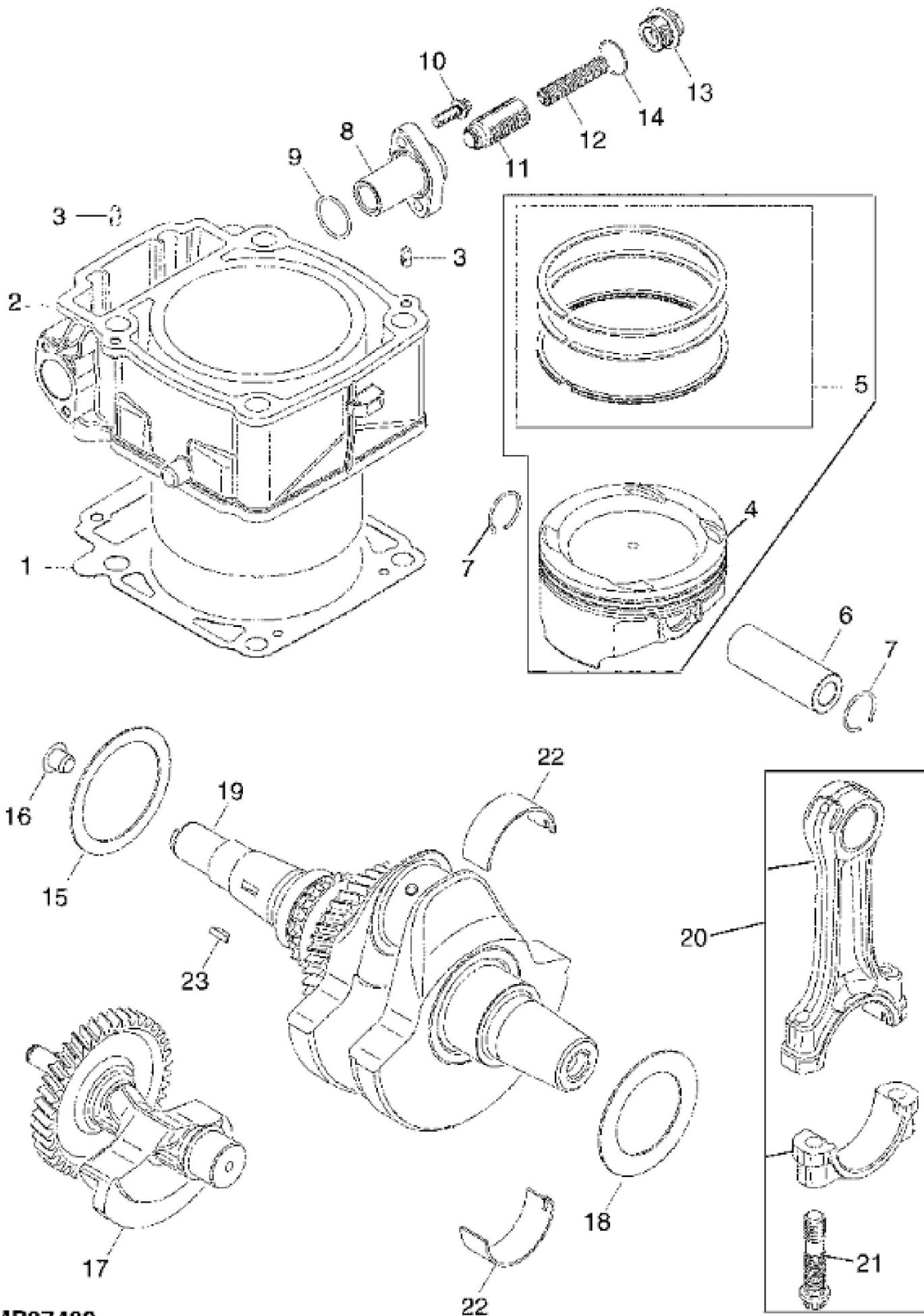
Hello dear friend!

Thank you very much for reading.

Enter the link into your browser.

The full manual is available for immediate download.

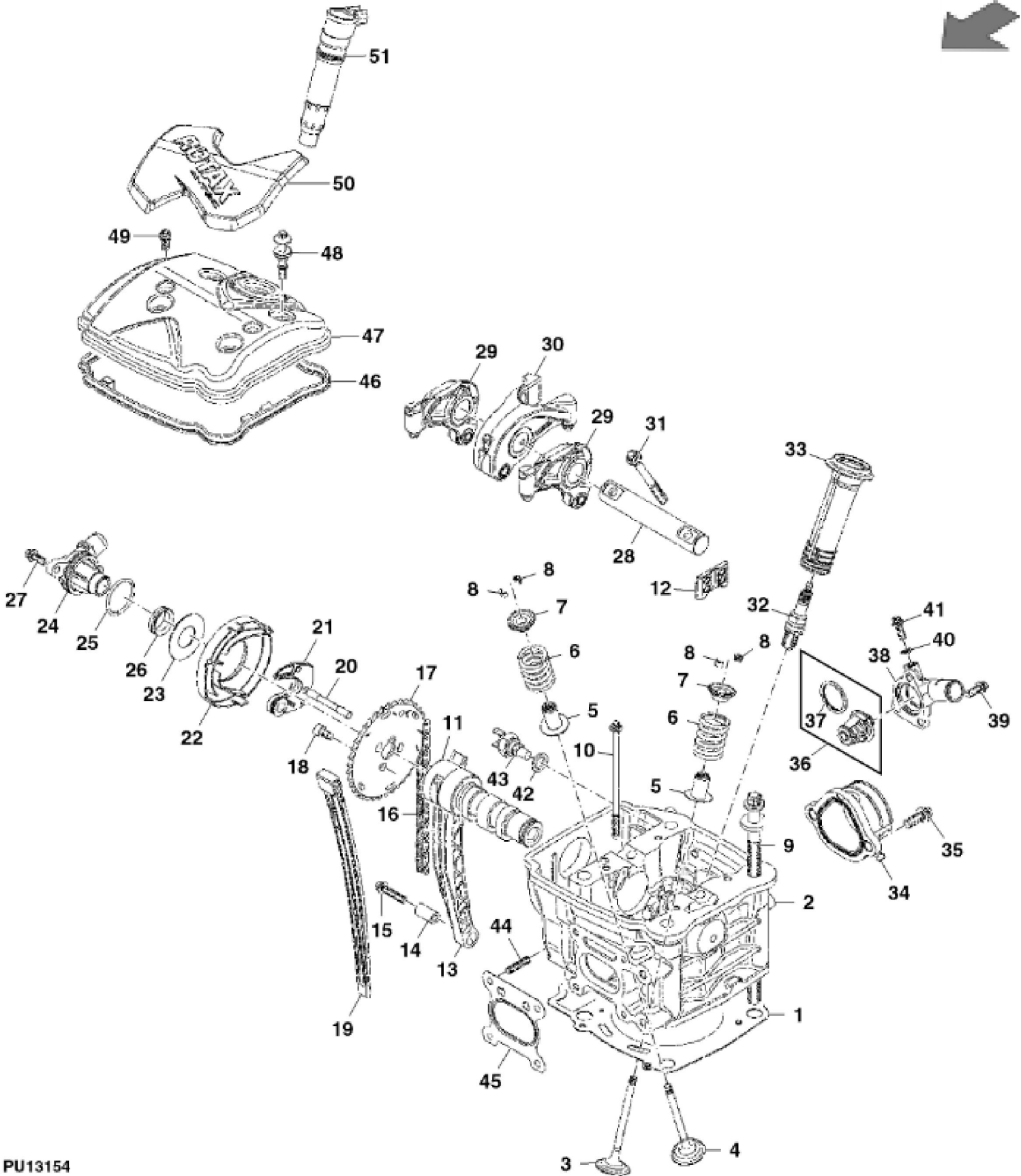
<https://www.ebooklibonline.com>



MP37482

John Deere > Turf And Utility > UTILITY VEHICLE > BUCK - UTILITY VEHICLE > Buck Auto Utility All Terrain Vehicle (UATV) Worldwide Edition > 20 ENGINE AND POWER TRAIN > ST594664 - CRANKSHAFT AND PISTON ASSEMBLY

KEY	PART NO.	PART NAME	QTY	REMARKS
1	C420630080	GASKET	1	CYLINDER
2	C420923947	CYLINDER	1	
3	C420929650	PIN	2	
4	C420296565	PISTON	1	500
4	C420890085	PISTON	1	650, (SN -6059518) (STAMPED 47B) (SUB C420890082)
4	C420890082	PISTON	1	650, (SN 6059519-) (STAMPED 47C) (INCLUDES C420891124 RINGS)
5	C420890380	PISTON RING KIT	1	500
5	C420890380	PISTON RING KIT	1	650, (SN -6059518) (USE WITH PISTONS STAMPED 47B ON FACE)
5	C420891124	PISTON RING KIT	1	650, (SN 6059519-) (USE WITH PISTONS STAMPED 47C ON FACE)
6	C420216250	PISTON PIN	1	
7	C420845580	CLIP	2	
8	C420236510	HOUSING	1	
9	C420430370	O-RING	2	
10	C420440232	SCREW	4	M6 X 25
11	C420236520	PLUNGER	1	
12	C420238120	SPRING	1	
13	C420641150	PLUG	1	
14	C420250890	O-RING	1	
15	C420627502	SHIM	1	
16	C420660300	PLUG	1	
17	C420220785	BALANCER	1	
18	C420627363	SHIM	1	(SUB FOR C420627362)
19	C420296867	CRANKSHAFT	1	500
19	C420296644	CRANKSHAFT	1	650
20	C420917546	CONNECTING ROD	1	500, SUB FOR C420917545
20	C420917525	CONNECTING ROD	1	650
21	C420640990	SCREW	2	
22	C420933520	BEARING	2	NLA; ORDER C420933523
22	C420933523	BEARING	2	
23	C420246570	SHAFT KEY	1	
..	C420684122	GASKET KIT	1	ENGINE, (SUB FOR C420684120)



John Deere > Turf And Utility > UTILITY VEHICLE > BUCK - UTILITY VEHICLE > Buck Auto Utility All Terrain Vehicle (UATV) Worldwide Edition > 20 ENGINE AND POWER TRAIN > ST594741 - CYLINDER HEAD

KEY	PART NO.	PART NAME	QTY	REMARKS
1	C420950660	GASKET	1	Cylinder Head
2	C420613477	CYLINDER HEAD	1	
3	C420254294	INTAKE VALVE	2	SUB FOR C420254293 OR C420254290
4	C420254027	EXHAUST VALVE	2	
5	C420630200	SEAL	4	
6	C420238180	SPRING	4	
7	C420254283	HOLDER	4	SUB FOR C420254280 OR C420254281
8	C420253645	RETAINER	8	
9	C420641020	SCREW	4	
10	C420440612	SCREW	2	
11	C420220774	CAMSHAFT	1	650
11	C420220775	CAMSHAFT	1	500
12	C420851692	GUIDE	1	Camshaft
13	C420236541	TIGHTENER	1	SUB FOR C420236540
14	C420247100	SLEEVE	1	
15	C420440272	SCREW	1	M6 X 35, NLA; ORDER C420641258
15	C420641258	SCREW	1	
16	C420297957	ROLLER CHAIN	1	
17	C420254307	CHAIN SPROCKET	1	NLA; ORDER C420254308; SUB FOR C420254301
17	C420254308	CHAIN SPROCKET	1	
18	19M8618	SCREW	3	M6 X 12
19	C420236500	GUIDE	1	NLA; ORDER C420236501
19	C420236501	GUIDE	1	
20	C420220792	SHAFT	1	
21	C420231061	WEIGHT	1	
22	C420660034	COVER	1	
23	C420627494	THRUST WASHER	1	
24	C420610272	COVER	1	Camshaft
25	C420950872	O-RING	1	
26	C420630125	RING	1	
27	C420241751	BOLT	2	M6 X 16
28	C420854599	SHAFT	1	
29	C420254329	ROCKER ARM	2	SUB FOR C420254326 OR C420254328; Exhaust
30	C420254316	ROCKER ARM	1	SUB FOR C420254315; Intake



Suggest:

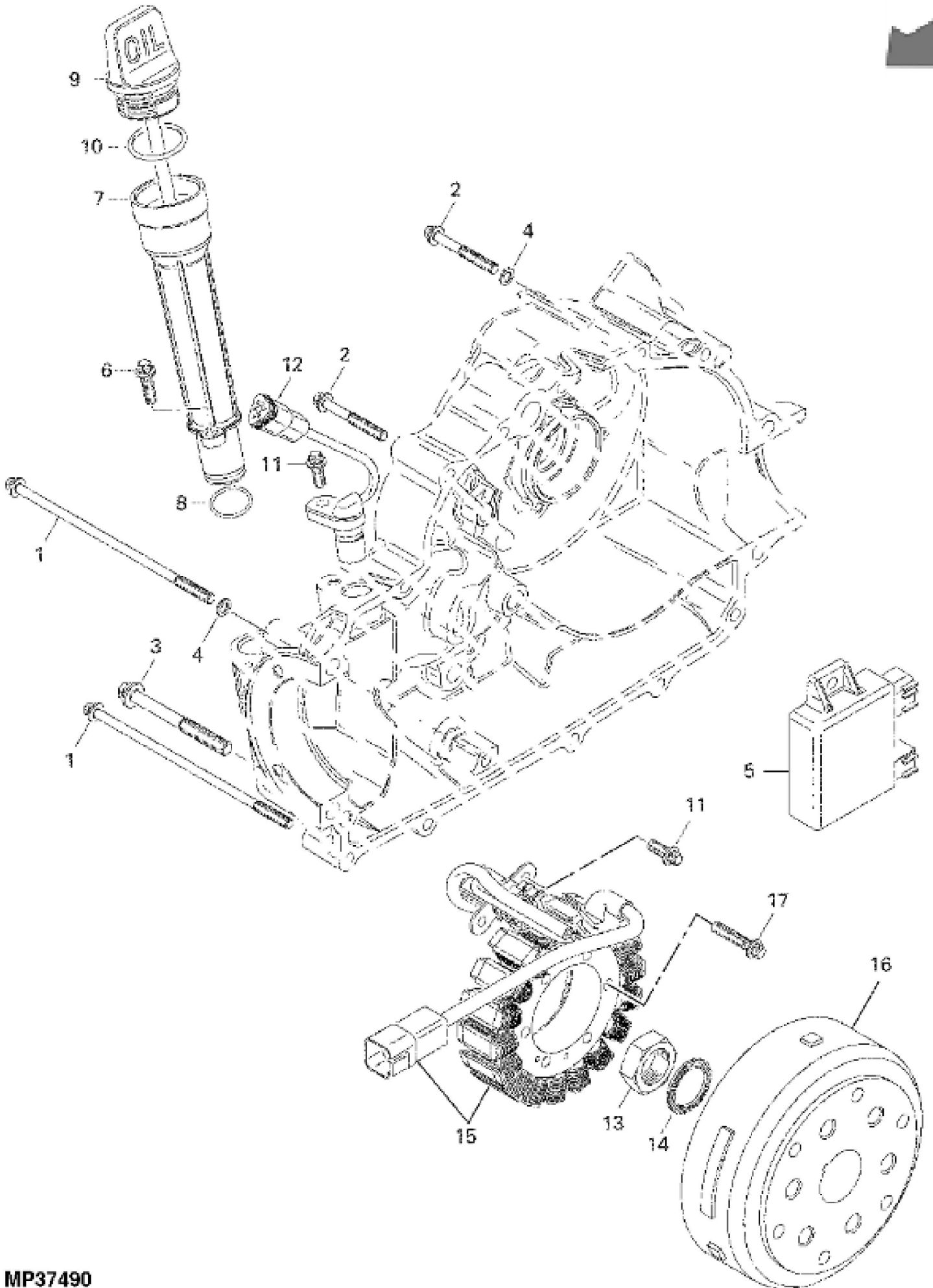
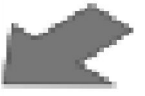
For more complete manuals. Please go to the home page.

<https://www.ebooklibonline.com>

If the above button click is invalid. Please download this document first, and then click the above link to download the complete manual.

Thank you so much for reading

KEY	PART NO.	PART NAME	QTY	REMARKS
31	C420641080	SCREW	2	M8 X 72
32	M152222	SPARK PLUG	1	
33	C420851751	CAP	1	SUB FOR C420851750
34	C420267270	ADAPTER FITTING	1	Carburetor
35	C420440372	SCREW	1	M8 X 25
36	C420222495	THERMOSTAT	1	
37	C420650300	GASKET	1	
38	C420222660	HOUSING	1	Thermostat
39	C420440162	SCREW	1	M6 X 16
40	C404146600	WASHER	1	
41	C420440162	SCREW	1	M6 X 16
42	C420250640	GASKET	1	
43	C420897938	SENSOR	1	SUB FOR C420897939; Temperature
44	C420240010	STUD	4	
45	C420950680	GASKET	1	
46	C420630071	RING	1	
47	C420610185	COVER	1	Valve
48	C420440560	SCREW	4	M6 X 30.5, SUB FOR C420440307
49	C420641488	SCREW	2	M6 X 10, SUB FOR C420641483
50	C707000360	VALVE COVER	1	
51	C420664025	FIELD WINDING COIL	1	Ignition
52	C420852286	PULLEY	1	(Not Illustrated)
53	C420852305	PAWL	1	(Not Illustrated)
54	C420860950	RING	1	(Not Illustrated)



<https://www.ebooklibonline.com>

Hello dear friend!

Thank you very much for reading.

Enter the link into your browser.

The full manual is available for immediate download.

<https://www.ebooklibonline.com>