

PU14105

KEY	PART NO.	PART NAME	QTY	REMARKS	
1	MIA12630	DIESEL ENGINE	1	MARKED 3TNV70-AJUV	
2	MIA882683	SHORT BLOCK ASSEMBLY	1	(Not Illustrated)	

<https://www.ebooklibonline.com>

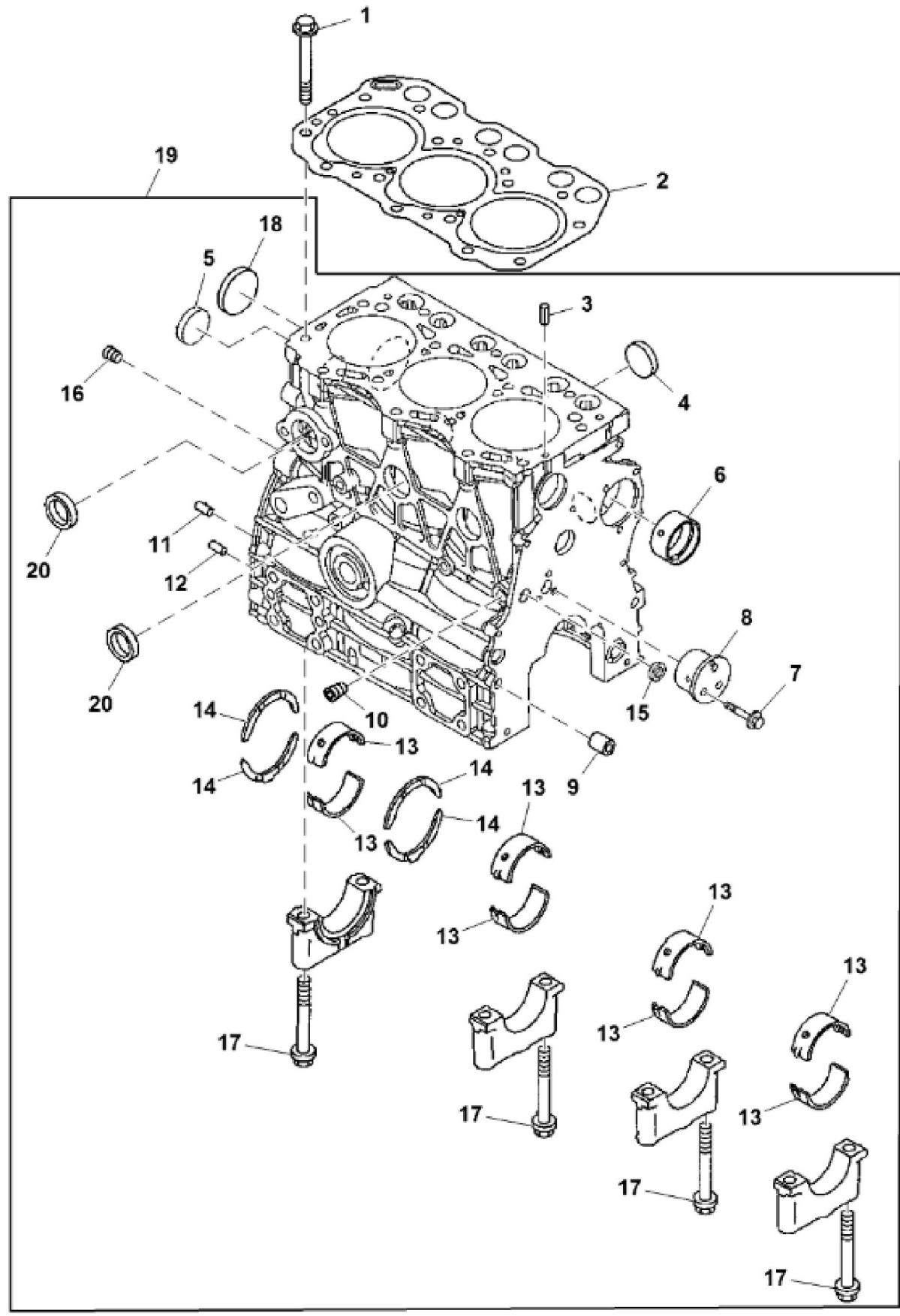
Hello dear friend!

Thank you very much for reading.

Enter the link into your browser.

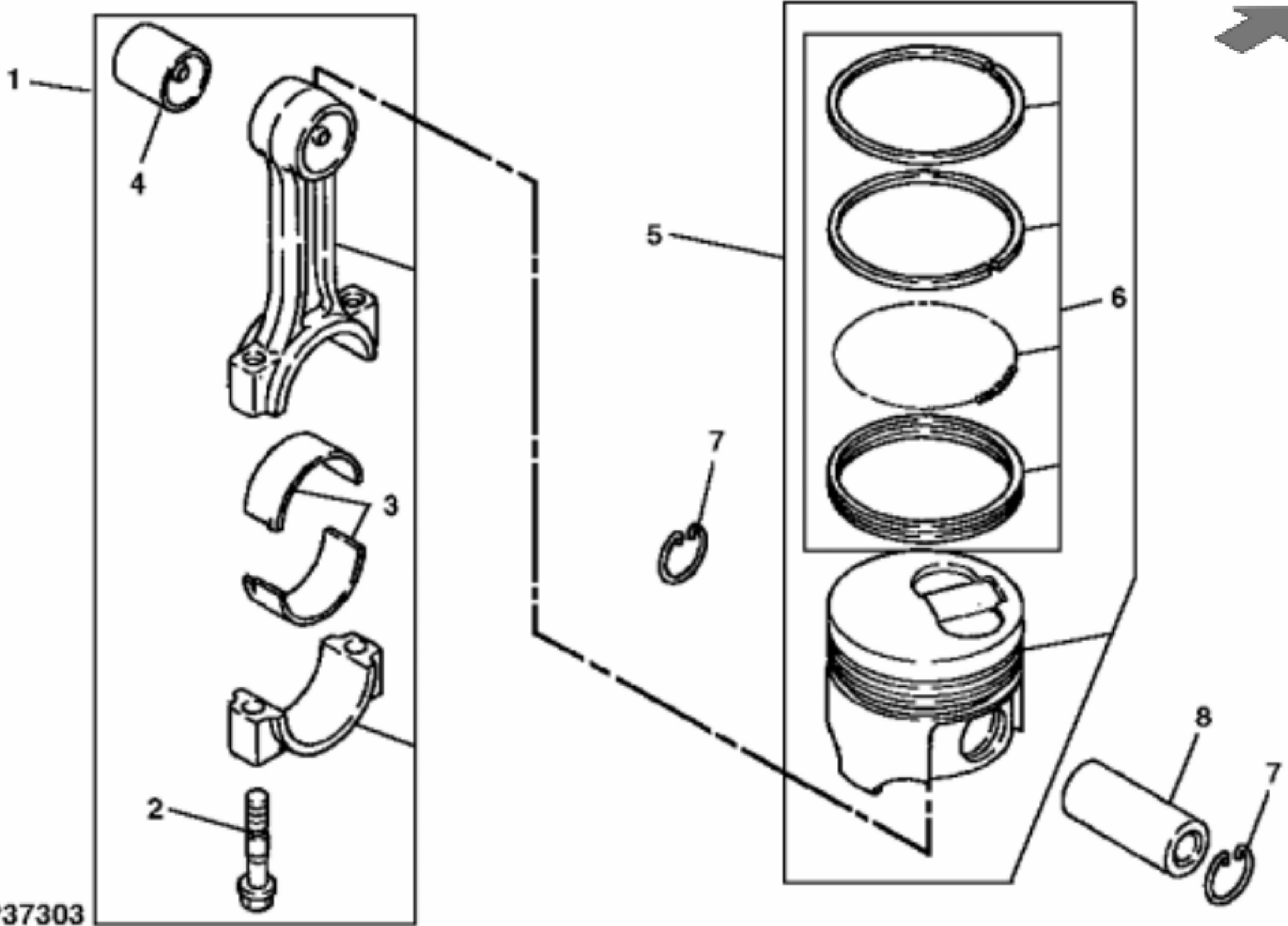
The full manual is available for immediate download.

<https://www.ebooklibonline.com>



PU14106

KEY	PART NO.	PART NAME	QTY	REMARKS	
1	MIU800287	BOLT	14	Cylinder Head	
2	MIU802005	GASKET	1	Cylinder Head	
3	CH18079	SPRING PIN	2		
4	M811807	PLUG	3	OD = 25 mm	
5	M811805	PLUG	4	OD = 30 mm	
6	MIU800572	CAMSHAFT	1		
7	M87871	BOLT	3	M6 X 35 mm	
8	M811882	SHAFT	1	Idle Gear	
9	M800006	DOWEL PIN	2		
10	CH10314	PLUG	1		
11	M802255	PIN	2	8 X 16 mm	
12	M802254	PIN	2	6 X 10 mm	
13	MIA880551	BEARING	4	STD	
13	AM882418	BEARING KIT	4	0.25 mm US	
14	AM882419	BEARING KIT	2	Thrust Assembly	
15	M87801	PLUG	1	OD = 12 mm	
16	CH10335	PLUG	1		
17	M87879	BOLT	8	Main Bearing Cap	
18	M809593	PLUG	1	OD = 45 mm	
19	MIA880295	CYLINDER BLOCK	1		



MP37303



Suggest:

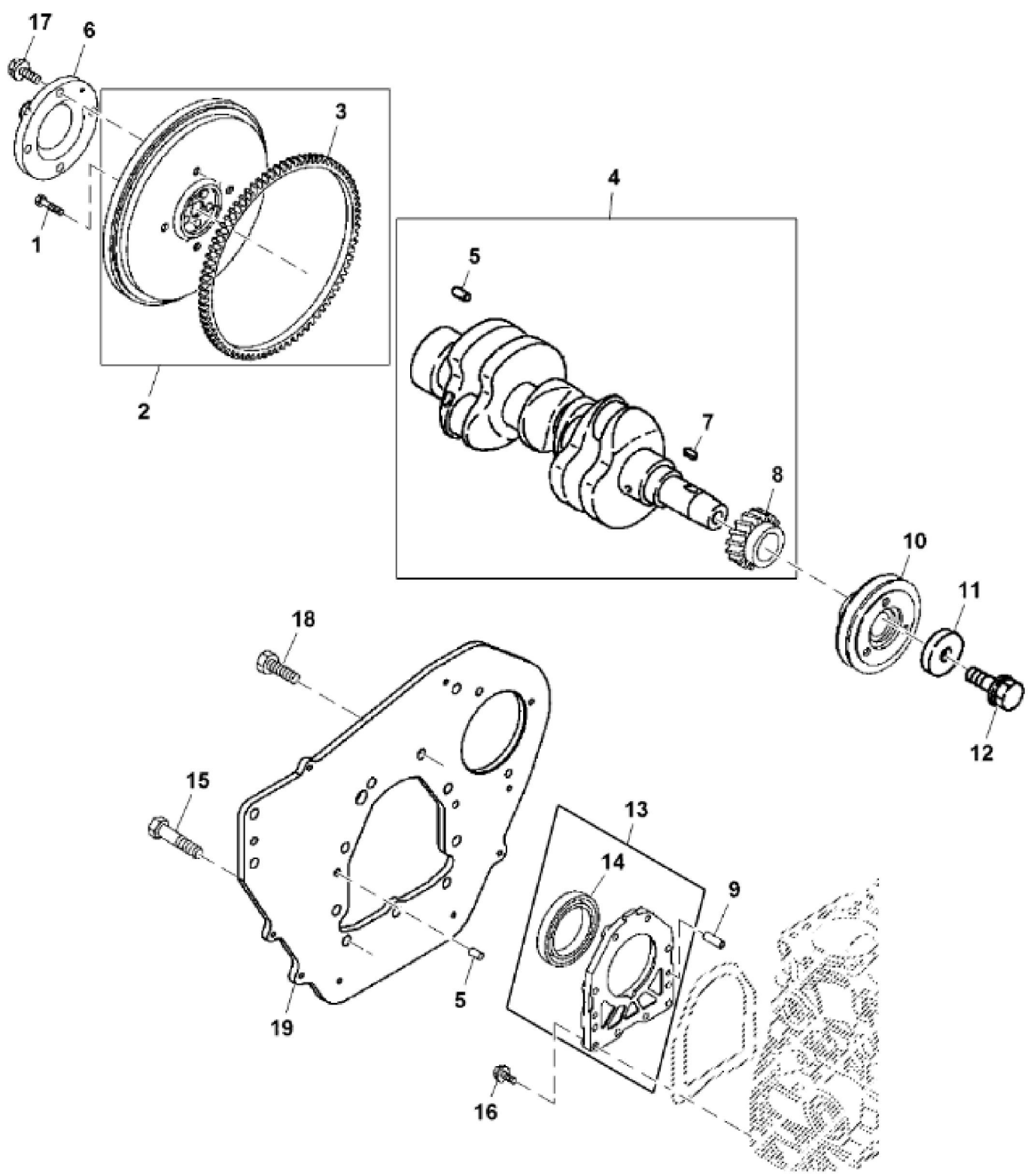
For more complete manuals. Please go to the home page.

<https://www.ebooklibonline.com>

If the above button click is invalid. Please download this document first, and then click the above link to download the complete manual.

Thank you so much for reading

KEY	PART NO.	PART NAME	QTY	REMARKS	
1	MIA880289	CONNECTING ROD	3	Assembly	
2	M811877	BOLT	2		
3	MIA880560	BEARING KIT	3	STD	
3	MIA880565	BEARING	3	Crank	
4	M811880	BUSHING	3		
5	MIA880283	PISTON	3	STD	
5	MIA880288	PISTON	3	0.25 mm, OS	
6	MIA880285	PISTON RING KIT	3	STD	
6	MIA880286	PISTON RING KIT	3	0.25 mm, OS	
7	CH11486	RING	6		
8	MIU800313	PISTON PIN	3		



PU14174

<https://www.ebooklibonline.com>

Hello dear friend!

Thank you very much for reading.

Enter the link into your browser.

The full manual is available for immediate download.

<https://www.ebooklibonline.com>