

PU17288

KEY	PART NO.	PART NAME	QTY	REMARKS	
1	MIA883060	CYLINDER BLOCK	1		
2	M809565	PLUG	1	Drain	
3	M801189	BOLT	10		
4	MIU800573	BUSHING	1	Camshaft	
5	CH10314	PLUG	1		
6	CH10335	PLUG	3		
7	MIA880555	BEARING	2	Thrust	
7	MIA882809	BEARING KIT	2	OS= 0.25 mm, Thrust	
8	M87801	PLUG	1		
9	M801186	BOLT	18		
10	MIA882027	GASKET	1		
11	AM875371	BEARING KIT	5		
11	MIA880554	BEARING	5		
11	MIA880550	BEARING	5	US= 0.25 mm	
12	15H562	PIPE PLUG	1	1"	
13	30M7023	PLUG	8	Cap	

<https://www.ebooklibonline.com>

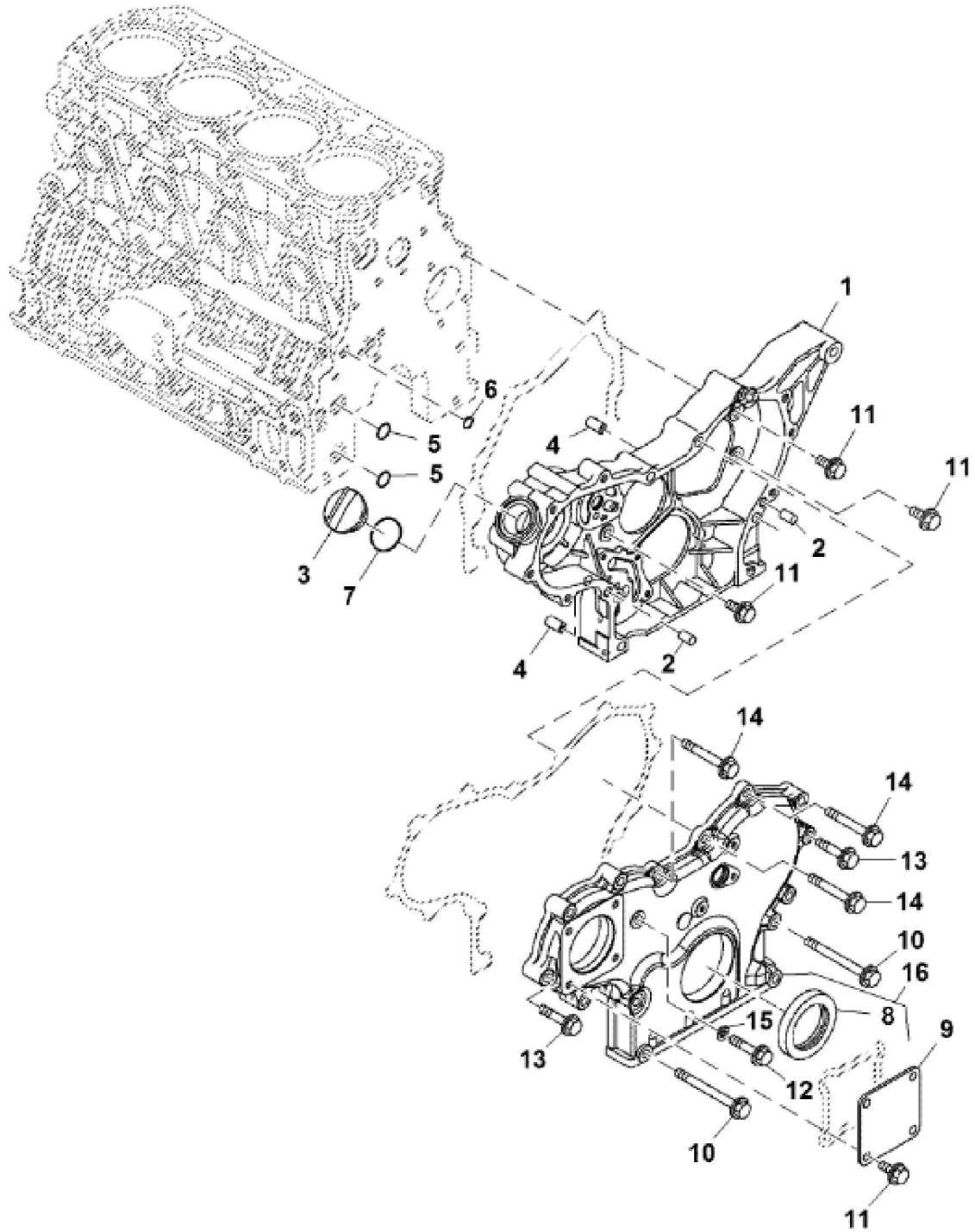
Hello dear friend!

Thank you very much for reading.

Enter the link into your browser.

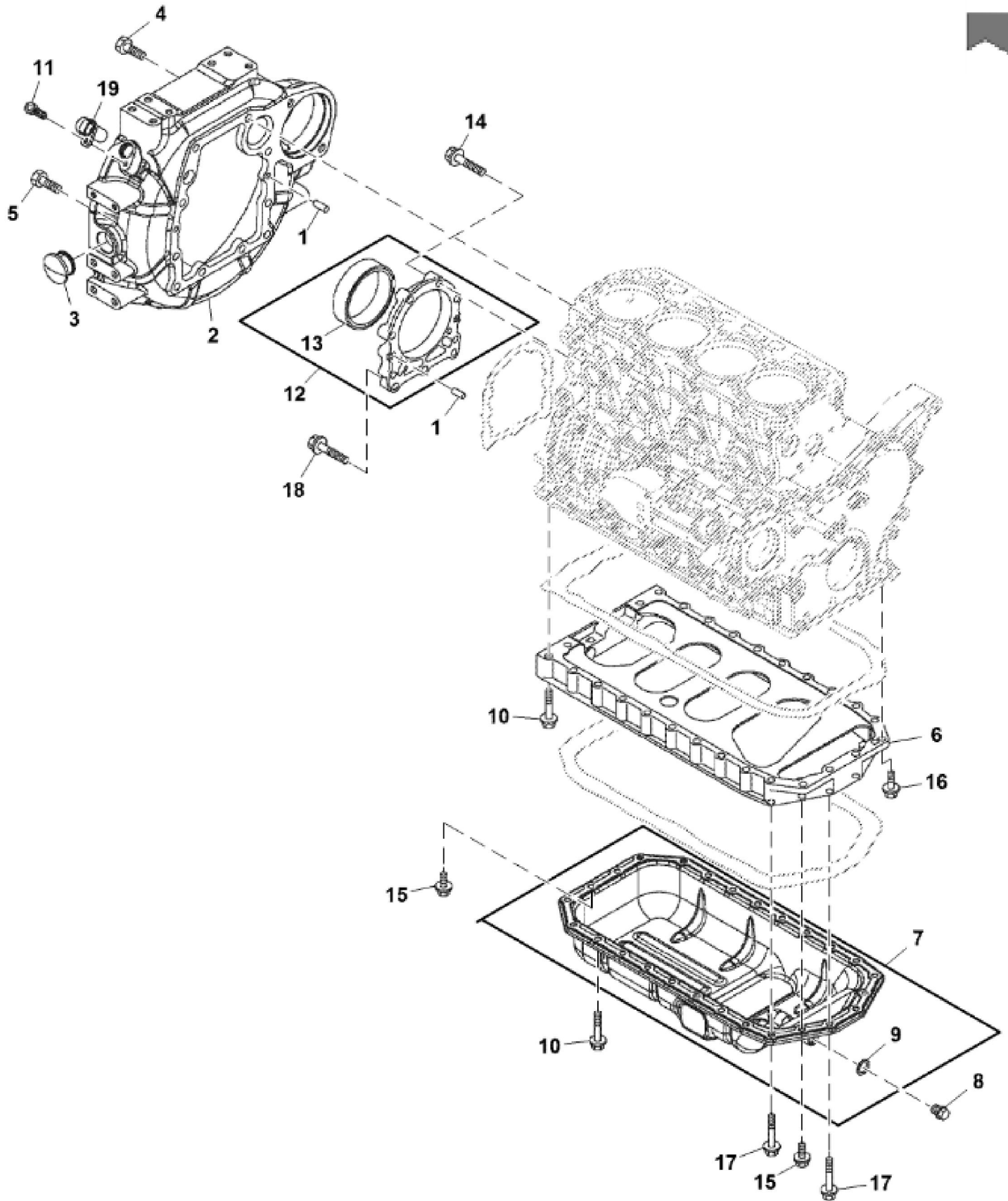
The full manual is available for immediate download.

<https://www.ebooklibonline.com>



PU20740

KEY	PART NO.	PART NAME	QTY	REMARKS	
1	MIU803102	GEAR CASE	1		
2	M802255	PIN	2		
3	M805710	CAP	1		
4	M800974	PIPE	2		
5	M810185	O-RING	2		
6	M809204	O-RING	1		
7	M805711	O-RING	1		
8	M811078	SEAL	1		
9	CH18096	COVER	1		
10	CH19136	BOLT	4		
11	19M7865	SCREW	7	M8 X 16	
12	19M7897	SCREW	1	M8 X 35	
13	19M8317	SCREW	7	M8 X 40	
14	19M7801	SCREW	3	M8 X 60	
15	M803523	WASHER	1		
16	MIA881991	COVER	1		





Suggest:

For more complete manuals. Please go to the home page.

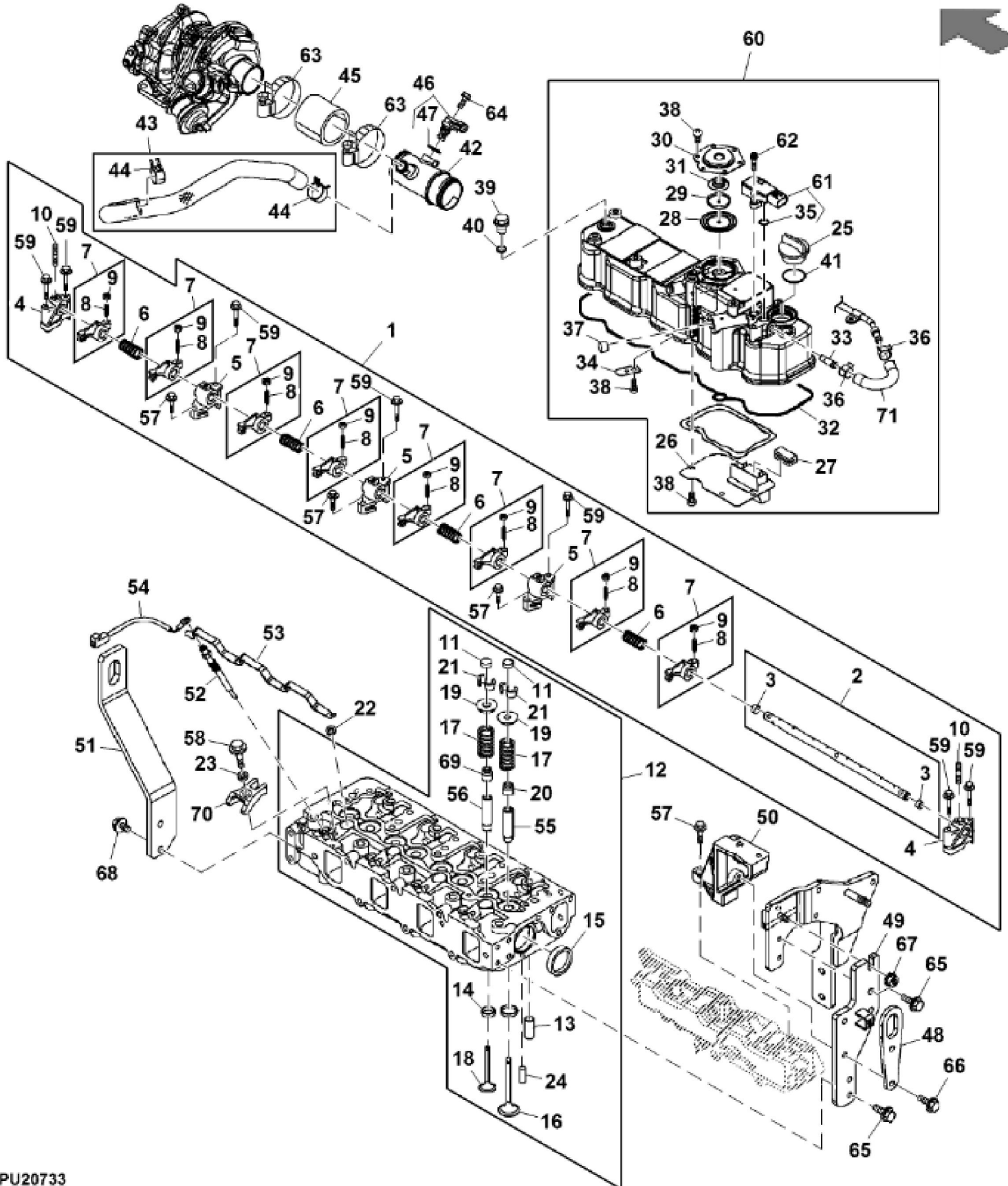
<https://www.ebooklibonline.com>

If the above button click is invalid. Please download this document first, and then click the above link to download the complete manual.

Thank you so much for reading

John Deere > Turf And Utility >MOWER, REEL-MOUNTED >8900A - MOWER, REEL-MOUNTED >8900A Large Area Reel Mower >20 ENGINE, 4TNV86CT-KJFM, TIER 4 >ST877323 - FLYWHEEL HOUSING AND OIL SUMP

KEY	PART NO.	PART NAME	QTY	REMARKS
1	M802255	PIN	4	
2	MIU802741	HOUSING	1	
3	M88659	PLUG	1	
4	19M7402	CAP SCREW	6	M10 X 25
5	19M7662	CAP SCREW	4	M10 X 30
6	M801207	INTERMEDIATE HOUSING	1	
7	MIA883135	OIL PAN	1	
8	T111565	PLUG	1	
9	M811568	WASHER	1	
10	CH19101	BOLT	20	
11	19M8553	SCREW	1	M6 X 16
12	AM875375	CASE	1	
13	M805278	SEAL	1	
14	M808308	BOLT	6	
15	19M7865	SCREW	4	M8 X 16
16	CH19085	BOLT	2	
17	19M7800	SCREW	4	M8 X 50
18	19M7897	SCREW	3	M8 X 35
19	MIU802138	SENSOR	1	Flywheel



<https://www.ebooklibonline.com>

Hello dear friend!

Thank you very much for reading.

Enter the link into your browser.

The full manual is available for immediate download.

<https://www.ebooklibonline.com>