

RGP 3532

KEY	PART NO.	PART NAME	QTY	8570	REMARKS	
1	R102937	TUBE	1	X	(SUB TY22450)	
1	TY22450	BULK HOSE	AR	X	(BULK)	
2	AR100124	SCREW WITH WASHER	8	X		
3	TY22467	CLAMP	1	X	(SUB FOR AR21839)	
4	T20294	CAP	1	X		
5	T20328	GASKET	1	X		
6	AR93173	COVER	1	X		
7	R49866	GASKET	1	X		

<https://www.ebooklibonline.com>

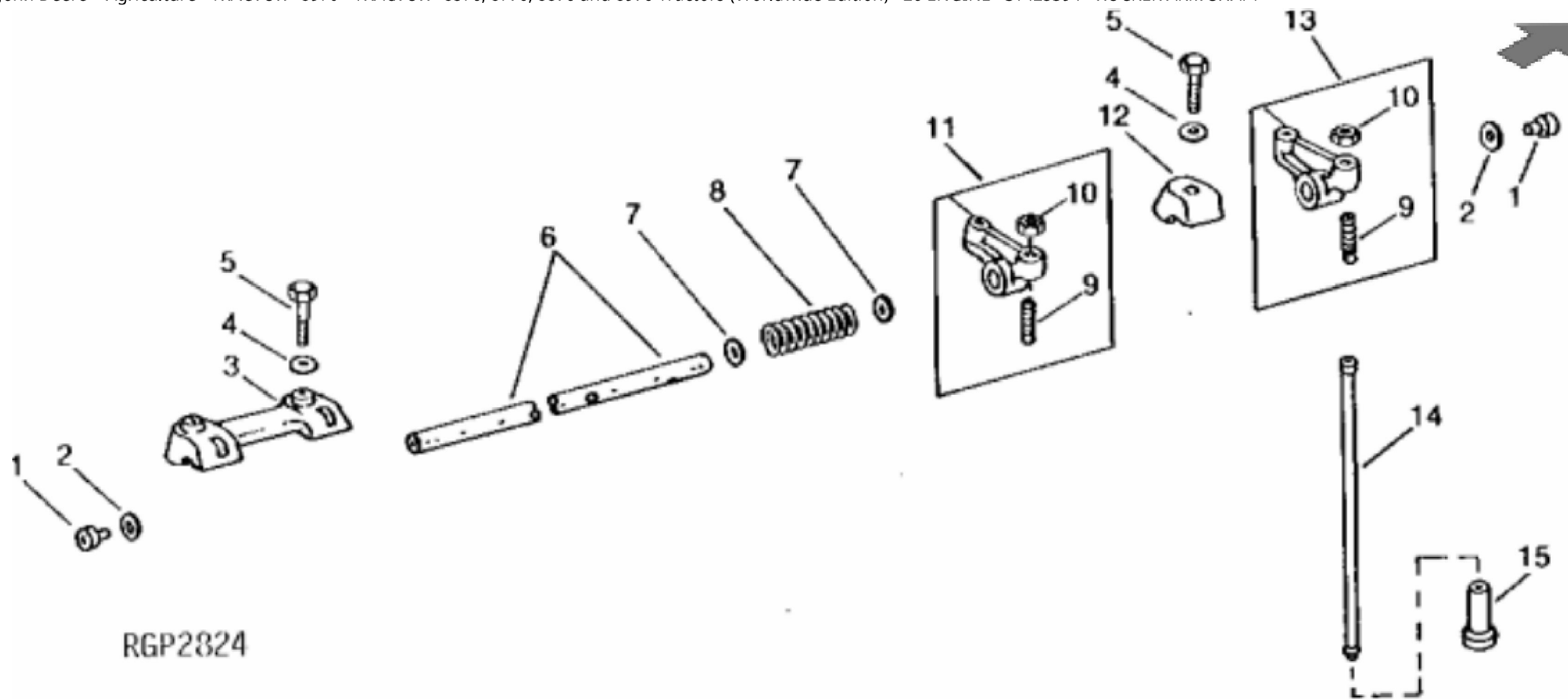
Hello dear friend!

Thank you very much for reading.

Enter the link into your browser.

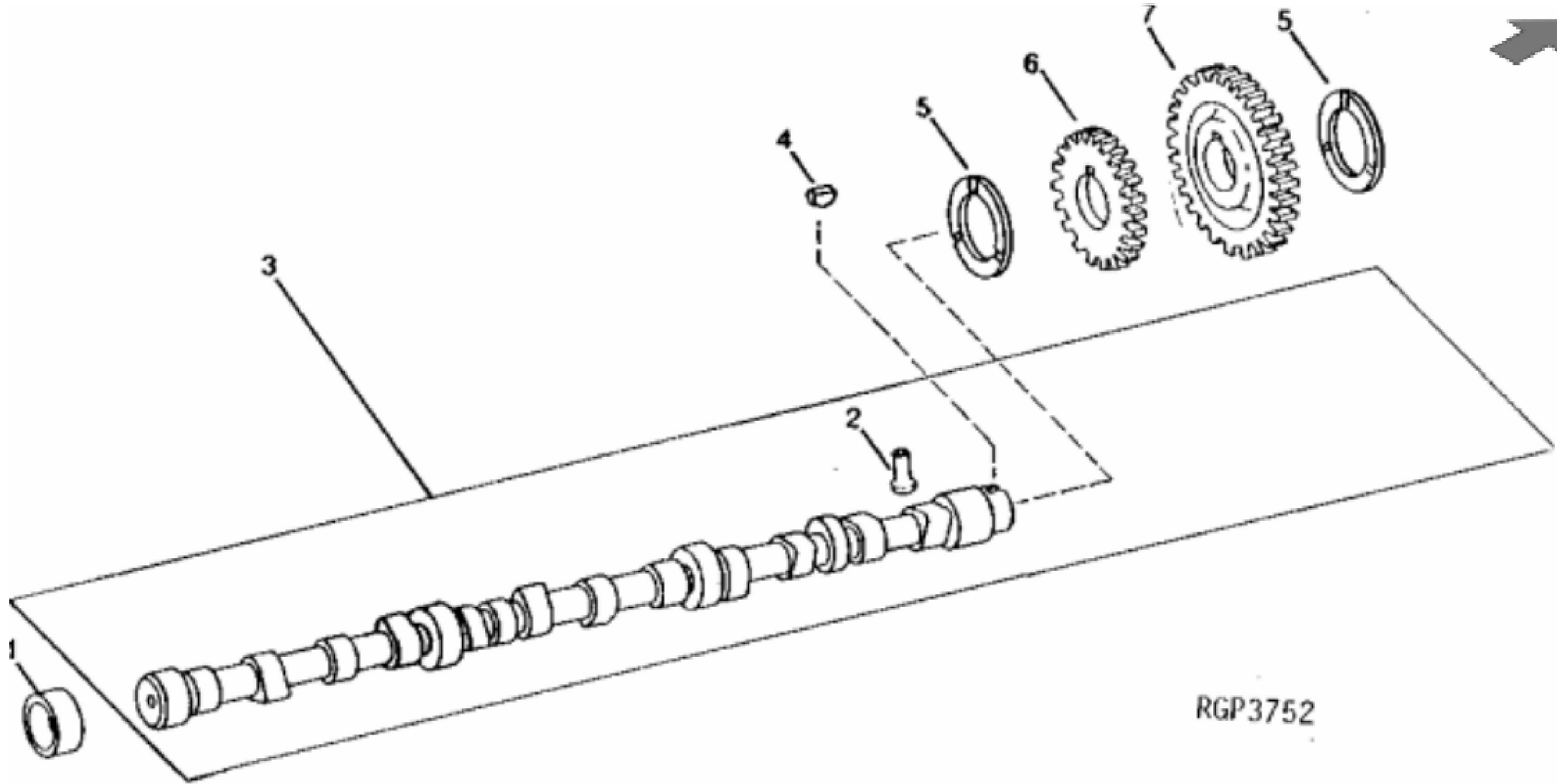
The full manual is available for immediate download.

<https://www.ebooklibonline.com>



RGP2324

KEY	PART NO.	PART NAME	QTY	8570	REMARKS
1	R54565	PLUG	2	X	
2	R26081	WASHER	2	X	
3	R136083	CLAMP	2	X	(SUB FOR R65553)
4	R26559	WASHER	6	X	
5	19H1740	CAP SCREW	6	X	7/16" X 1-3/4"
6	R70826	ROCKER ARM SHAFT	1	X	
7	R71208	WASHER	10	X	
8	R26079	SPRING	5	X	
9	R27443	SET SCREW	12	X	
10	14H1080	NUT	12	X	3/8"
11	RE24045	ROCKER ARM	6	X	(E - (EXHAUST VALVE); I - (INTAKE VALVE)) (1E, 2I, 3E, 4I, 5E, 6I) (RH)
12	R26748	CLAMP	2	X	
13	RE24046	ROCKER ARM	6	X	(E - (EXHAUST VALVE); I - (INTAKE VALVE)) (1I, 2E, 3I, 4E, 5I, 6E) (LH)
14	R85027	PUSH ROD	12	X	
15	R110126	FOLLOWER	12	X	



RGP3752



Suggest:

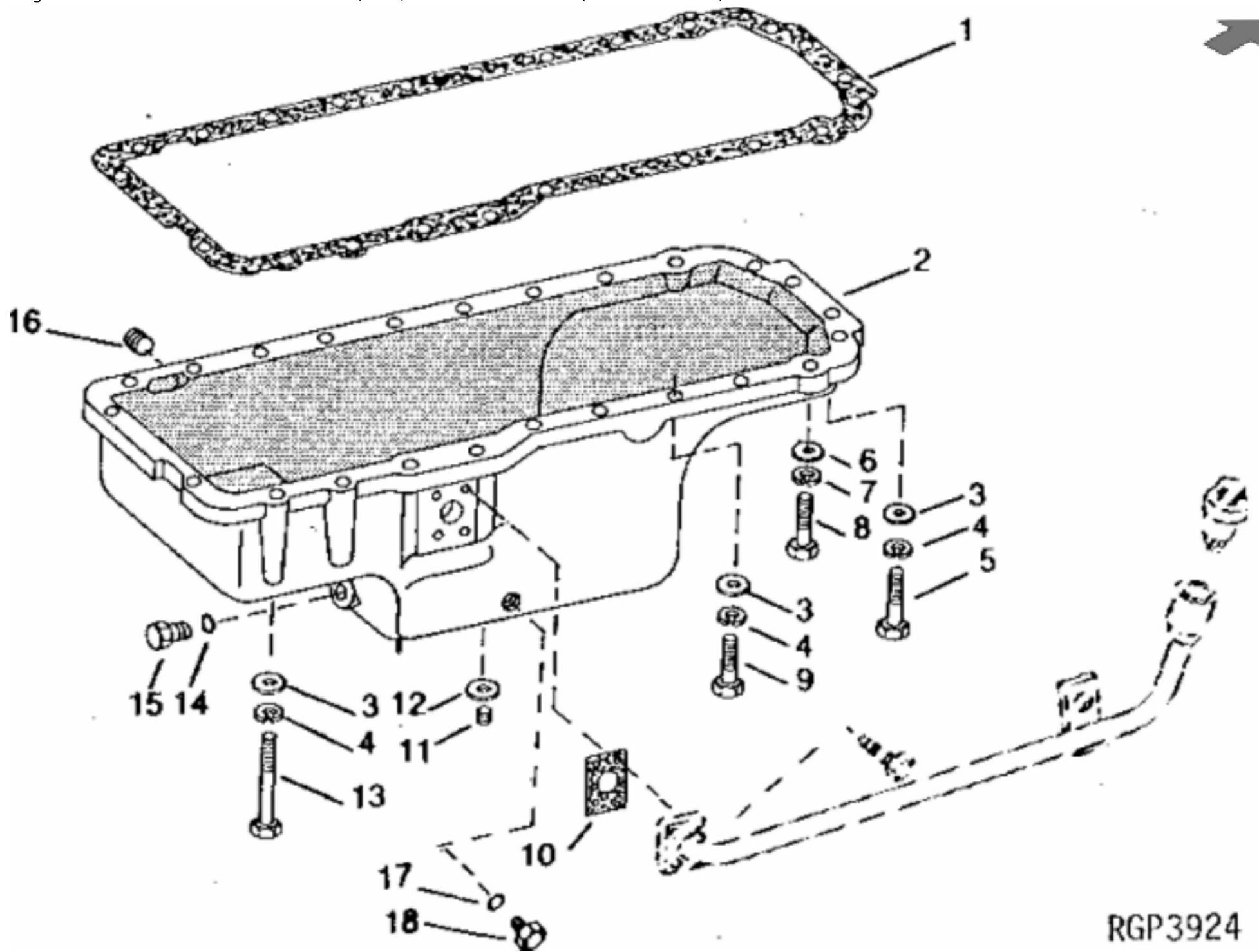
For more complete manuals. Please go to the home page.

<https://www.ebooklibonline.com>

If the above button click is invalid. Please download this document first, and then click the above link to download the complete manual.

Thank you so much for reading

KEY	PART NO.	PART NAME	QTY	Engine Serial No.	8570	REMARKS	
1	R87561	BUSHING	4		X		
2	R110126	FOLLOWER	12		X	(USE WITH R109717 OR R120872)	
3	RE42383	CAMSHAFT	1	____-520097	X	(MARKED R109717) (SUB RE57054)	
3	RE57054	CAMSHAFT	1	520098-____	X	(MARKED R120872)	
4	26H91	SHAFT KEY	1		X	3/16" X 1-1/4"	
5	R104656	THRUST WASHER	2		X		
6	R104589	GEAR	1		X		
7	R112053	GEAR	1		X		



RGP3924

<https://www.ebooklibonline.com>

Hello dear friend!

Thank you very much for reading.

Enter the link into your browser.

The full manual is available for immediate download.

<https://www.ebooklibonline.com>