

RGP3623

KEY	PART NO.	PART NAME	QTY	8450	REMARKS
1	E1343FN	SNAP RING	12	X	
2	R57771	PISTON PIN	6	X	
3	R74008	BUSHING	6	X	
4	R66452	CAP SCREW	12	X	
5	R53292	SLEEVE	12	X	
6	AR93341	CONNECTING ROD	6	X	MARKED R71074
6	SE500498	CONNECTING ROD REMAN	6	X	REMAN FOR AR93341
7	AR73277	BEARING	AR	X	PKG R57583, STD
7	AR73278	BEARING	AR	X	0.05 mm (.002"), US; PKG R60485
7	AR73279	BEARING	AR	X	0.25 mm (.010") US, PKG R60486
7	AR73280	BEARING	AR	X	0.51 mm (.020") US, PKG R60487
7	AR73281	BEARING	AR	X	0.76 mm (.030") US, PKG R60488
8	RE48380	PISTON RING KIT	6	X	SUB FOR AR73627
9	AR98850	O-RING KIT	6	X	INCLUDES R54326
10	RE60284	PISTON-LINER KIT	6	X	MARKED AR100673 OR AR100672; USE WITH R71074; SUB FOR AR100960
11	R93948	SHIM	2	X	MAX.

<https://www.ebooklibonline.com>

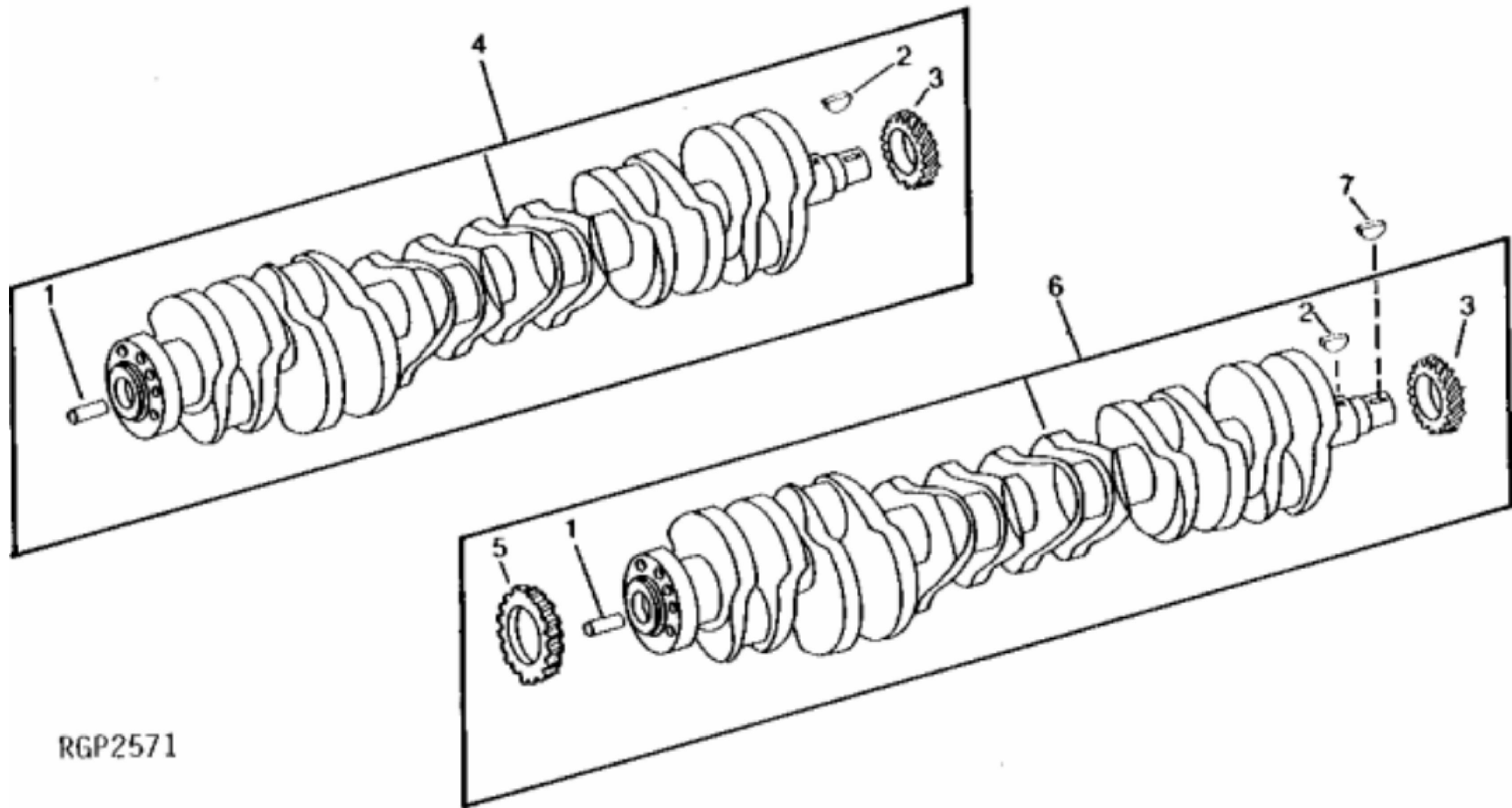
Hello dear friend!

Thank you very much for reading.

Enter the link into your browser.

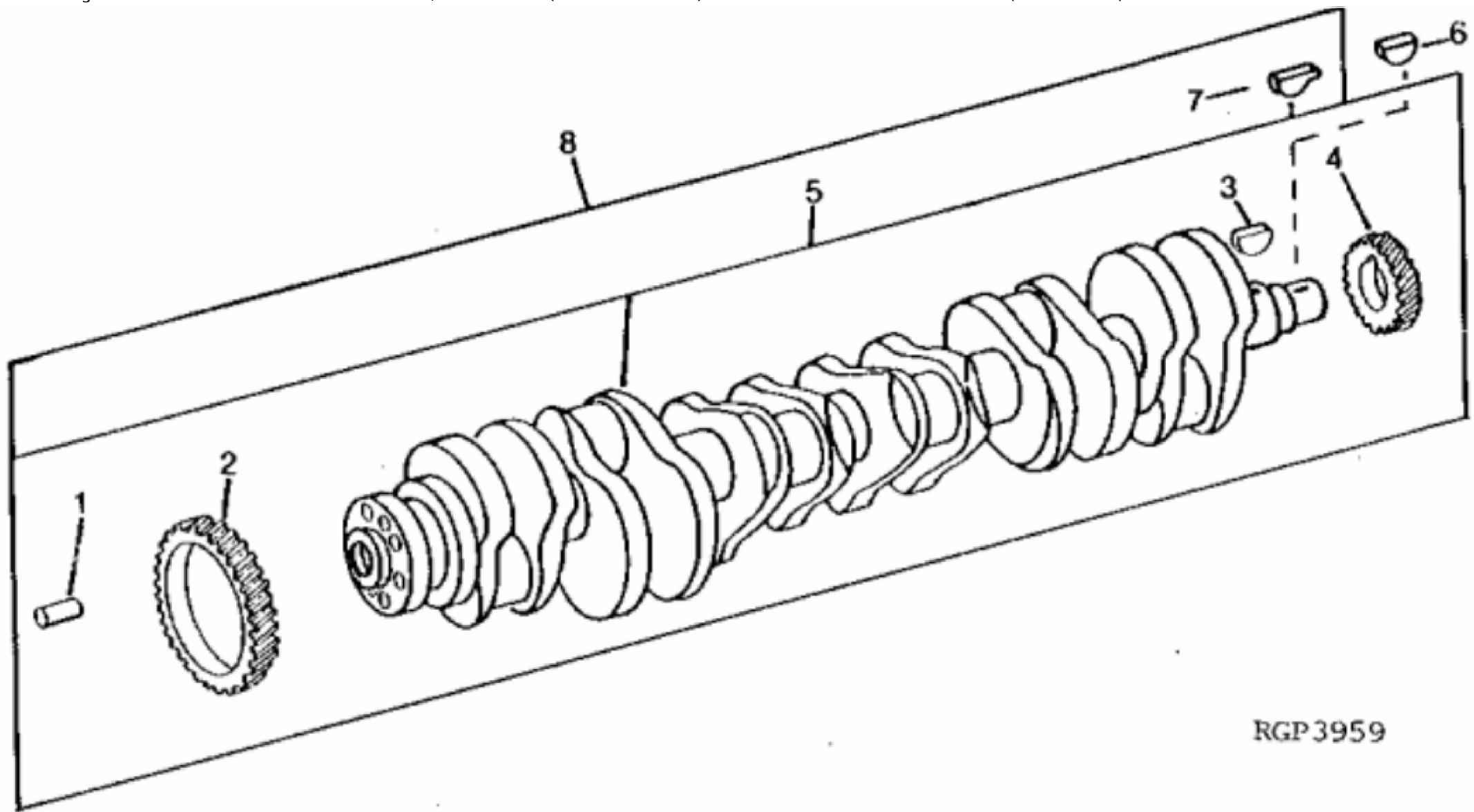
The full manual is available for immediate download.

<https://www.ebooklibonline.com>



RGP2571

KEY	PART NO.	PART NAME	QTY	Engine Serial No.	8450	REMARKS	
1	R41934	DOWEL PIN	1		X		
2	R120752	KEY	1		X		
3	R26049	HELICAL GEAR	1		X	(USE WITH R56979 OR R63451)	
3	R105488	GEAR	1		X	(23 MM WIDE), (USE WITH RE42675)	
4	AR74624	CRANKSHAFT	1	____-161132	X	(MARKED R56979) (SUB RE53422)	
5	R63326	GEAR	1	161133-____	X	(SUB RE53422, APPL)	
6	AR96189	CRANKSHAFT	1	161133-____	X	(MARKED R63451) (SUB RE53422)	
6	RE42671	CRANKSHAFT	1		X	(MARKED RE42675) (SUB RE53422)	
7	26H85	SHAFT KEY	1		X	1/4" X 1"	



RGP 3959



Suggest:

For more complete manuals. Please go to the home page.

<https://www.ebooklibonline.com>

If the above button click is invalid. Please download this document first, and then click the above link to download the complete manual.

Thank you so much for reading

KEY	PART NO.	PART NAME	QTY	Engine Serial No.	8450	REMARKS	
1	R41934	DOWEL PIN	1		X		
2	R63326	GEAR	1		X	(SUB RE53422, APPL)	
3	R120752	KEY	1		X		
4	R26049	HELICAL GEAR	1	____-359495	X	(USE WITH R63451)	
4	R105488	GEAR	1	359496-____	X	(23 MM WIDE), (USE WITH RE42675 OR RE53203)	
5	AR96189	CRANKSHAFT	1	____-359495	X	(MARKED R63451) (SUB RE53422)	
5	RE42671	CRANKSHAFT	1	359496-362571	X	(MARKED RE42675) (SUB RE53422)	
6	26H85	SHAFT KEY	1	____-362571	X	1/4" X 1", (USE WITH RE42675 OR R63451)	
7	R116311	KEY	1	362572-____	X	(USE WITH RE53203)	
8	RE53422	CRANKSHAFT	1	362572-____	X	(MARKED RE53203)	

<https://www.ebooklibonline.com>

Hello dear friend!

Thank you very much for reading.

Enter the link into your browser.

The full manual is available for immediate download.

<https://www.ebooklibonline.com>