

RGP3623

KEY	PART NO.	PART NAME	QTY	REMARKS
1	E1343FN	SNAP RING	12	
2	R57771	PISTON PIN	6	
3	R60724	BUSHING	6	
4	R66452	CAP SCREW	12	
5	R53292	SLEEVE	12	
6	AR87638	CONNECTING ROD	6	(MARKED R57303 OR R67320) (SUB SE500079) (SUB FOR AR68790)
6	SE500079	CONNECTING ROD REMAN	6	REMAN FOR AR87638
7	AR73277	BEARING	AR	(PKG R57583), STD
7	AR73278	BEARING	AR	0.05 MM (0.002"), US (PKG R60485)
7	AR73279	BEARING	AR	0.25 MM (0.010"), US (PKGR60486)
7	AR73280	BEARING	AR	0.51 MM (0.020"), US (PKGR60487)
7	AR73281	BEARING	AR	0.76 MM (0.030"), US (PKG(2) R60488)
8	RE48380	PISTON RING KIT	6	(SUB FOR AR73627)
9	AR98850	O-RING KIT	6	(SUB FOR AR73628)
10	RE60288	PISTON-LINER KIT	6	(MARKED AR63062, AR79177, AR93629 OR AR93627) (USE WITH R57303 OR R67320) (SUB FOR AR72079)
11	R93948	SHIM	AR	

<https://www.ebooklibonline.com>

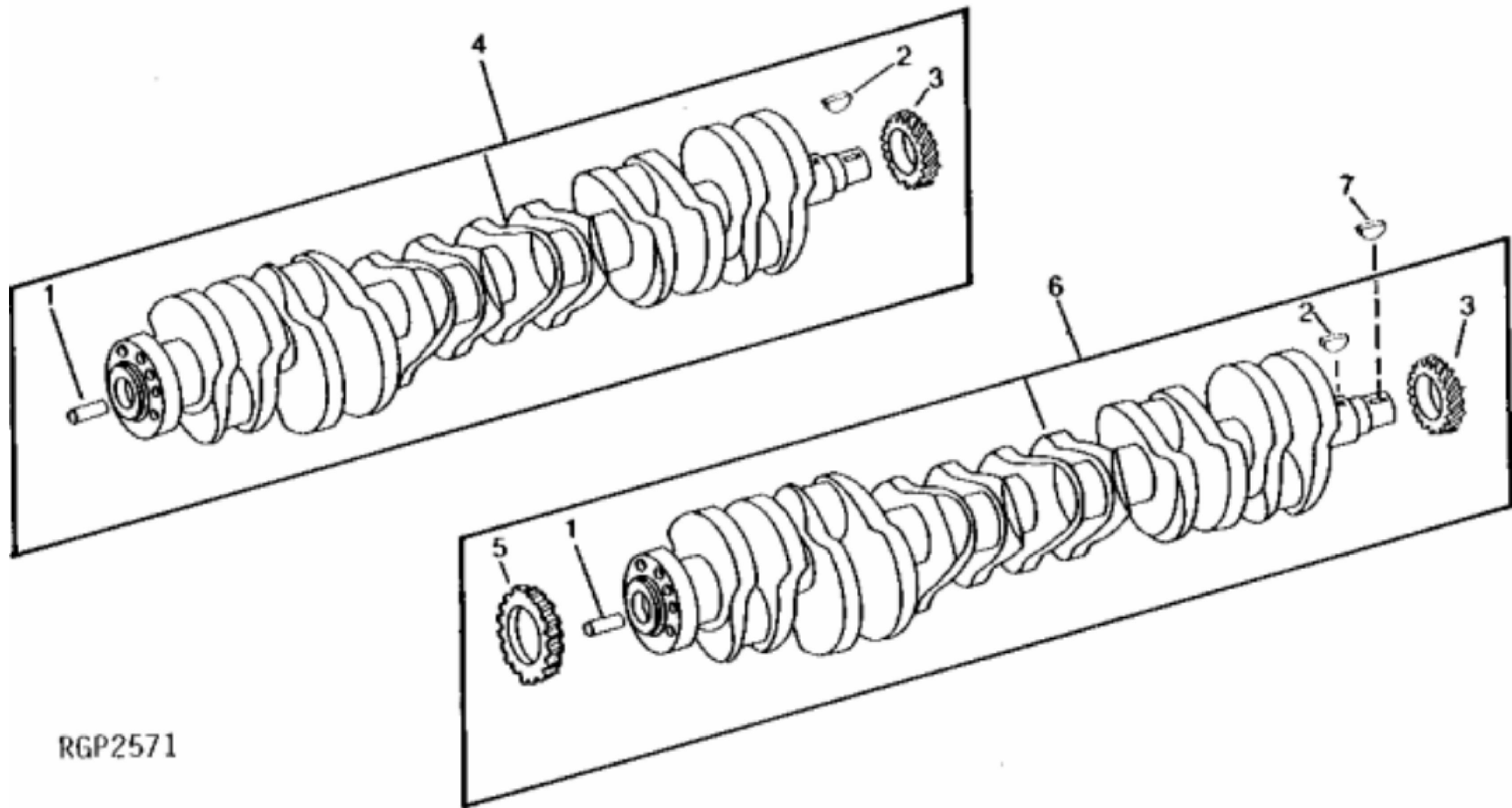
Hello dear friend!

Thank you very much for reading.

Enter the link into your browser.

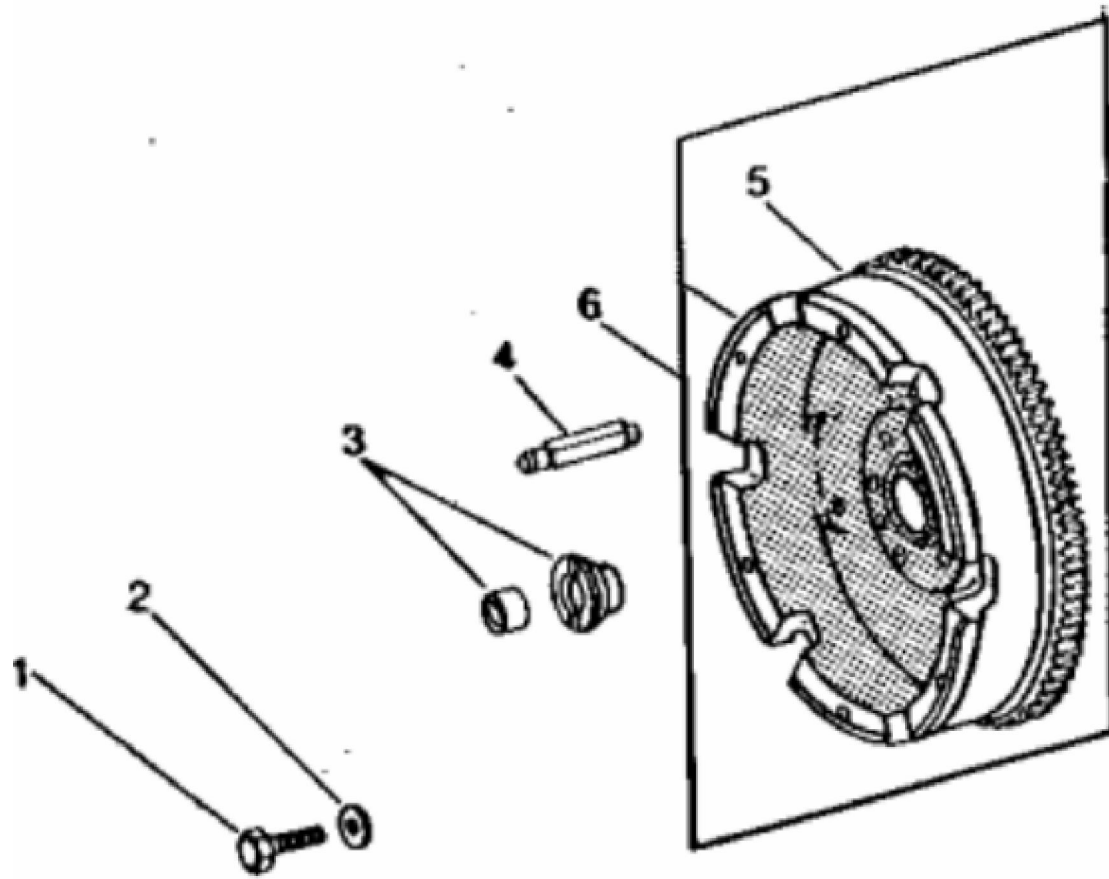
The full manual is available for immediate download.

<https://www.ebooklibonline.com>



RGP2571

KEY	PART NO.	PART NAME	QTY	Engine Serial No.	REMARKS	
1	R41934	DOWEL PIN	1			
2	R120752	KEY	1			
3	R26049	HELICAL GEAR	1		(USE WITH R56979 OR R63451)	
3	R105488	GEAR	1		(USE WITH RE42675)	
4	AR74624	CRANKSHAFT	1	____-161132	(MARKED R56979) (SUB RE53422)	
5	R63326	GEAR	1	161133-____		
6	AR96189	CRANKSHAFT	1	161133-____	(MARKED R63451) (SUB RE53422)	
6	RE42671	CRANKSHAFT	1		(MARKED RE42675) (SUB RE53422)	
7	26H85	SHAFT KEY	1		1/4" X 1"	



RGP1063



Suggest:

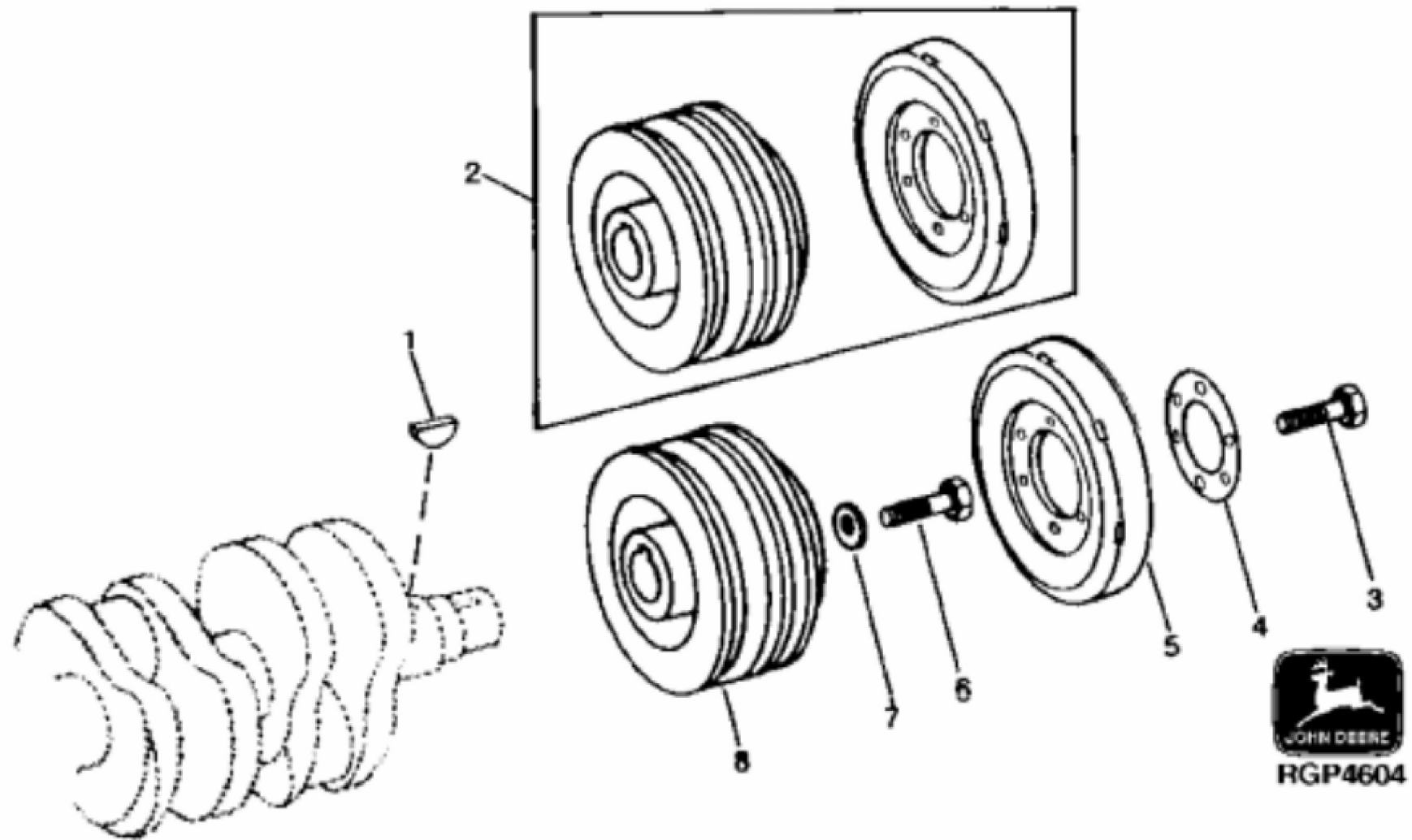
For more complete manuals. Please go to the home page.

<https://www.ebooklibonline.com>

If the above button click is invalid. Please download this document first, and then click the above link to download the complete manual.

Thank you so much for reading

KEY	PART NO.	PART NAME	QTY	REMARKS	
1	R41049	CAP SCREW	6		
2	T23891	WASHER	6		
3	RE10090	ADAPTER FITTING	1		
4	R57102	PIN	1		
5	R28811	RING GEAR	1		
6	AR68529	FLYWHEEL	1	(SUB FOR AR68646) (MARKED R57218)	



<https://www.ebooklibonline.com>

Hello dear friend!

Thank you very much for reading.

Enter the link into your browser.

The full manual is available for immediate download.

<https://www.ebooklibonline.com>