

KEY	PART NO.	PART NAME	QTY	REMARKS	
1	CH10348	NUT	3		
2	CH10568	PACKING	3		
3	19M7865	SCREW	2	M8 X 16	
4	M801031	CAP	1		
5	M801033	PLATE	1		
6	M801034	O-RING	1		
7	M801032	DEFLECTOR	1		
8	M801230	GASKET	1		
9	M805710	CAP	1	BREATHER	
10	M805711	PACKING	1		
11	RG60621	COVER	1		
12	M801037	HOSE	AR	BREATHER	

**<https://www.ebooklibonline.com>**

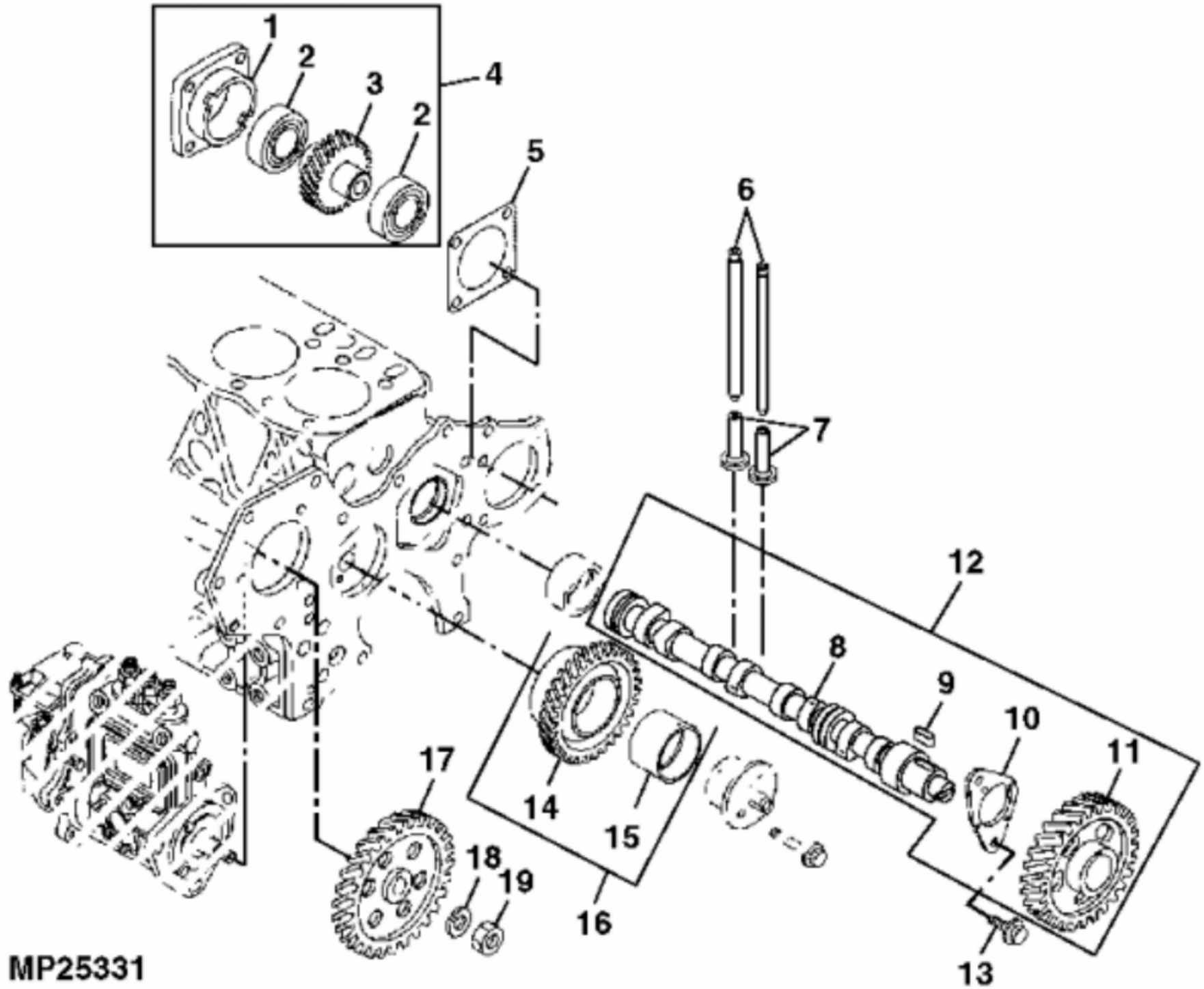
Hello dear friend!

Thank you very much for reading.

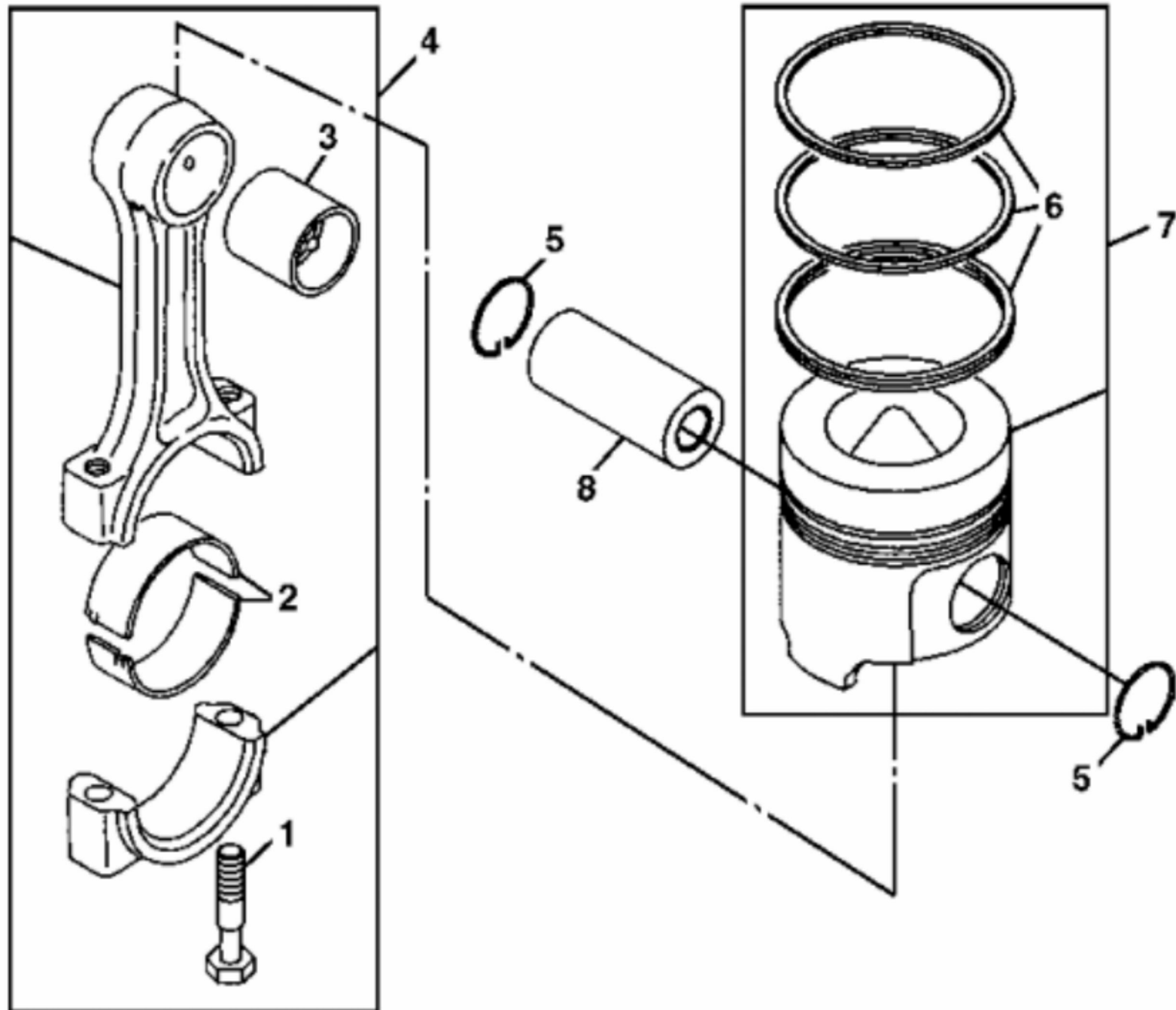
Enter the link into your browser.

The full manual is available for immediate download.

**<https://www.ebooklibonline.com>**



KEY	PART NO.	PART NAME	QTY	REMARKS	
1	M802618	BRACKET	1		
2	CH13505	BALL BEARING	2		
3	.....	GEAR	1		
4	AM876339	GEAR	1		
5	M805840	GASKET	1		
6	M801238	PUSH ROD	8		
7	M801046	CAM FOLLOWER	8		
8	.....	CAMSHAFT	1		
9	M801045	SHAFT KEY	1		
10	.....	THRUST BEARING	1		
11	.....	GEAR	1		
12	AM875386	CAMSHAFT	1		
13	CH19780	BOLT	2		
14	.....	GEAR	1		
15	M801050	BUSHING	1		
16	AM875315	GEAR	1		
17	M801239	GEAR	1		
18	12M7067	LOCK WASHER	1	12 mm	
19	14M7275	NUT	1	M12	



MP18666



**Suggest:**

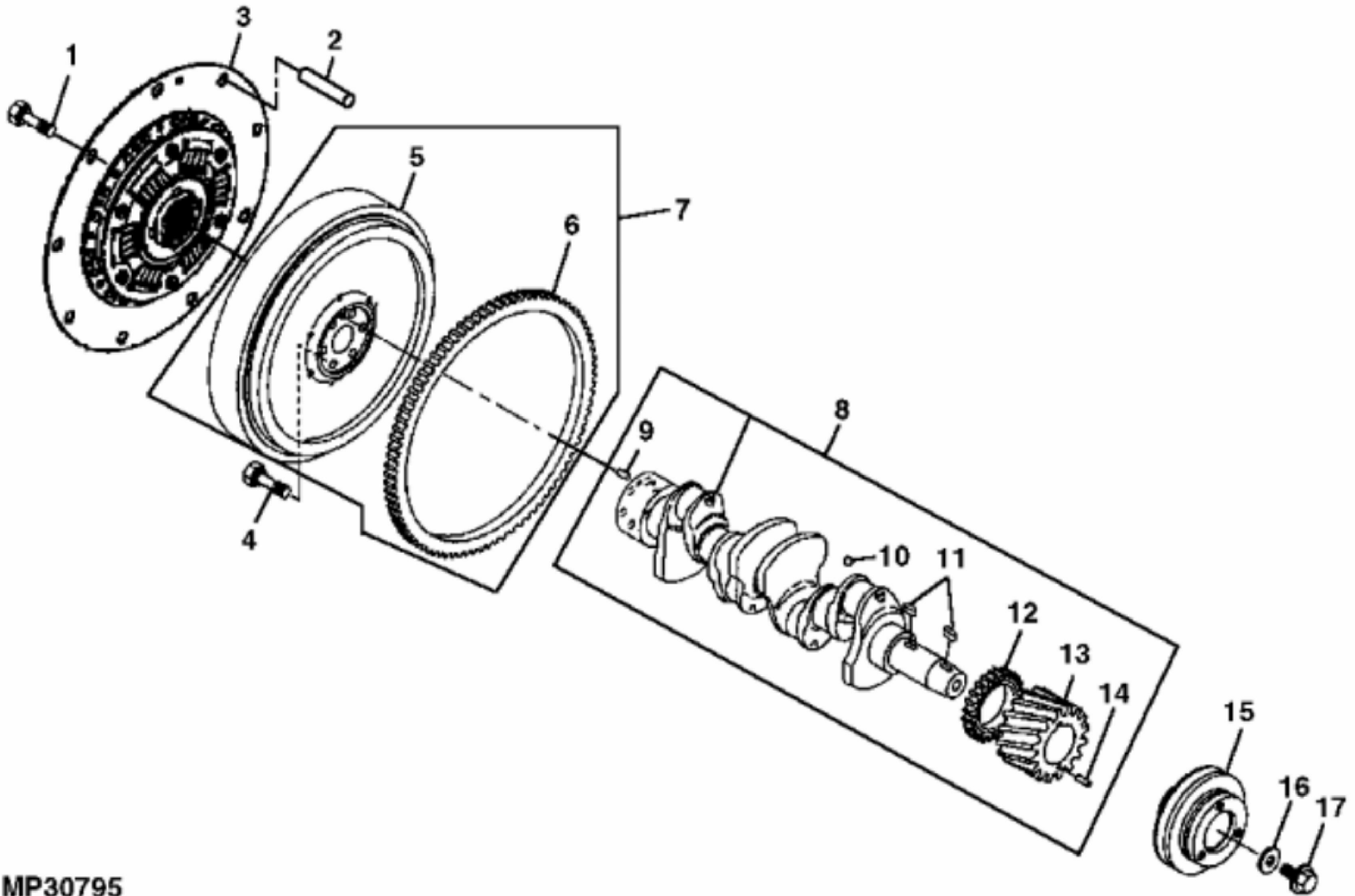
**For more complete manuals. Please go to the home page.**

**<https://www.ebooklibonline.com>**

**If the above button click is invalid. Please download this document first, and then click the above link to download the complete manual.**

**Thank you so much for reading**

KEY	PART NO.	PART NAME	QTY	REMARKS	
1	CH15483	BOLT	2		
2	MIA880563	BEARING	1	STD, (SUB FOR AM875392)	
2	MIA880568	BEARING	1	.25 MM (.010") US, (SUB FOR AM875395)	
3	M801256	BEARING	1		
4	AM875391	CONNECTING ROD	4		
5	M806457	CLIP	8		
6	AM879901	PISTON RING	1	STD	
6	AM878642	PISTON RING KIT	1	.25 MM (.010") OS	
7	AM880521	PISTON REPLACEMENT KIT	1	STD	
7	AM880518	PISTON REPLACEMENT KIT	1	.25 MM (.010") OS	
8	M806456	PISTON PIN	4		



MP30795

**<https://www.ebooklibonline.com>**

Hello dear friend!

Thank you very much for reading.

Enter the link into your browser.

The full manual is available for immediate download.

**<https://www.ebooklibonline.com>**