

MP18844

KEY	PART NO.	PART NAME	QTY	REMARKS
1	M801186	BOLT	18	
2	M806518	ENGINE CYLINDER HEAD GASKET	1	
3	AM879992	CYLINDER BLOCK	1	
4	CH10335	PLUG	2	
5	PT13744	PLUG	1	
6	M802255	PIN	4	
7	M806840	PLUG	1	(SUB FOR M800973)
8	CH18079	SPRING PIN	2	
9	30M7023	PLUG	8	
10	15H562	PIPE PLUG	1	1"
11	M800977	BUSHING	1	
12	M800978	SHAFT	1	
13	CH19101	BOLT	2	
14	M87801	PLUG	2	
15	M800974	PIPE	2	
16	MIA880555	BEARING	2	(SUB FOR AM875373)
17	AM875371	BEARING KIT	5	(STD)
17	MIA880550	BEARING	5	.25MM (.010") US, (SUB FOR AM875374)
18	BEARING CAP	4	
19	M801189	BOLT	10	
20	BEARING CAP	1	
21	CH15002	PLUG	1	
22	CH10554	PACKING	4	
23	19M7864	SCREW	4	M8 X 12
24	T113961	PLUG	1	
25	LVU10333	SHIELD	1	(RH) (SUB FOR M130266 AND LVU10269)
26	LVU10332	SHIELD	1	(LH) (SUB FOR M130267)
27	19M7783	SCREW	1	M10 X 16
28	19M7864	SCREW	2	M8 X 12
29	19M7866	SCREW	1	M8 X 20
30	19M7783	SCREW	1	M10 X 16
31	14M7298	FLANGE NUT	1	M8
..	AM130063	DIESEL ENGINE	1	(MARKED 4TNE88-EFTF47S) (SUB AM880530)
..	LVU10364	SEAL	1	RH, AIRDAM
..	LVU10365	ISOLATOR	1	LH, AIRDAM

<https://www.ebooklibonline.com>

Hello dear friend!

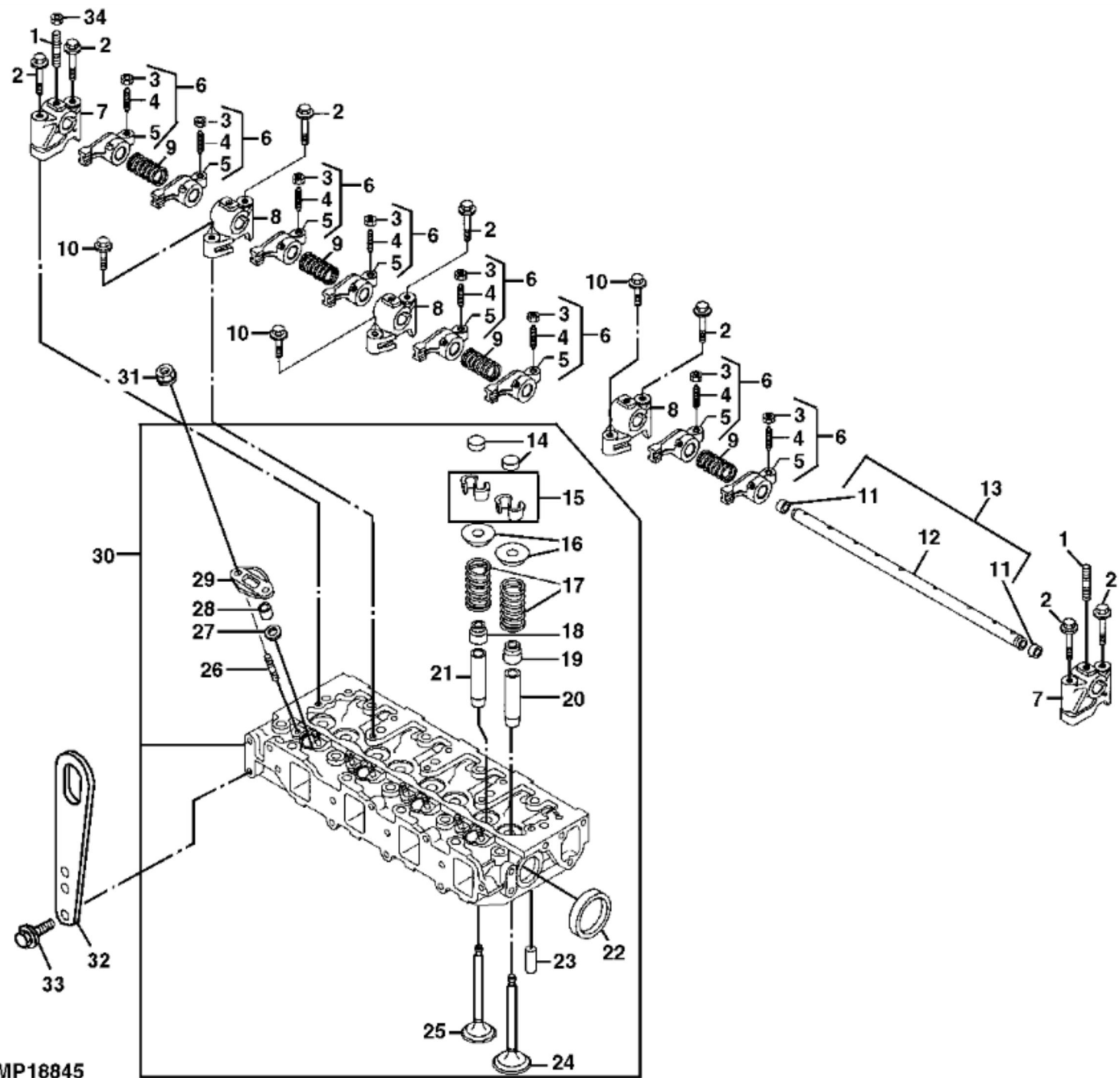
Thank you very much for reading.

Enter the link into your browser.

The full manual is available for immediate download.

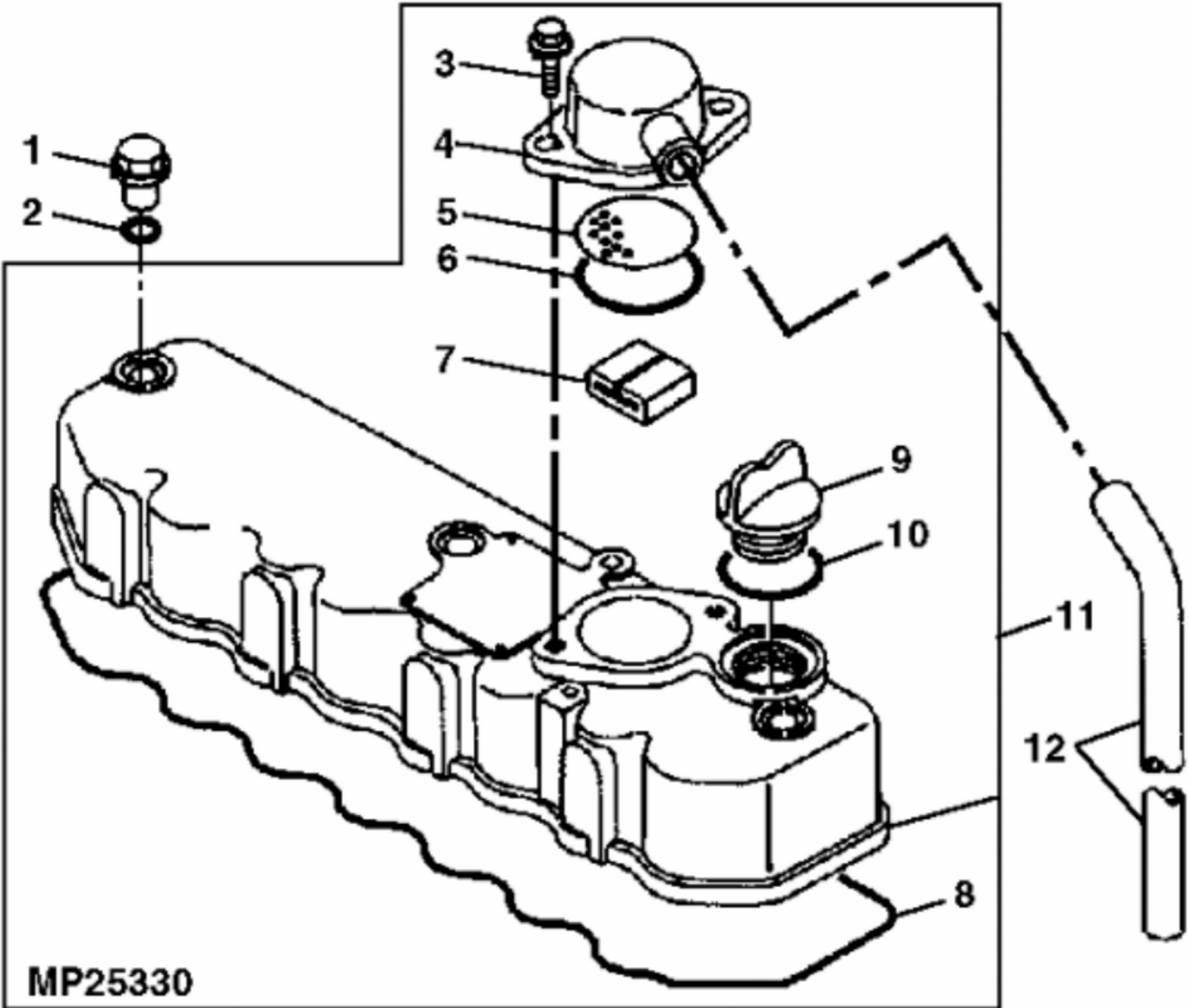
<https://www.ebooklibonline.com>

KEY	PART NO.	PART NAME	QTY	REMARKS	
..	LVU10366	ISOLATOR	1	BOTTOM, AIRDAM	
..	AM880530	SHORT BLOCK ASSEMBLY	1		



MP18845

KEY	PART NO.	PART NAME	QTY	REMARKS
1	M801024	STUD	3	
2	19M7800	SCREW	7	M8 X 50
3	M801028	NUT	1	
4	M801027	SCREW	1	
5	ROCKER ARM	1	
6	AM875383	ROCKER ARM	8	
7	M801022	SUPPORT	2	ROCKER ARM
8	M801023	SUPPORT	3	ROCKER ARM
9	M801025	SPRING	4	
10	19M7867	SCREW	3	M8 X 25
11	M800002	PLUG	2	
12	ROCKER ARM SHAFT	1	
13	AM875382	SHAFT	1	ROCKER ARM
14	M801224	CAP	8	
15	AM878862	RETAINER KIT	4	(2 PER PKG), VALVE
16	M801223	RETAINER	8	SPRING
17	M801222	SPRING	8	VALVE
18	T110650	SEAL	4	EXHAUST
19	CH10450	SEAL	4	INTAKE
20	M801227	GUIDE	4	INTAKE
21	M801228	GUIDE	4	EXHAUST
22	CH16751	PLUG	2	
23	CH18079	SPRING PIN	2	
24	M801220	INTAKE VALVE	4	
25	MIU800494	EXHAUST VALVE	4	(SUB FOR M801221)
26	M801219	BOLT	8	
27	M801017	VALVE SEAT	4	
28	M801016	SEAL	4	(SUB FOR M806732 OR M810460)
29	M801018	RETAINER	4	
30	AM879737	CYLINDER HEAD	1	
31	14M7303	FLANGE NUT	8	M6
32	AT211695	LIFT LINK	1	
33	19M7865	SCREW	2	M8 X 16
34	14M7273	NUT	3	M8





Suggest:

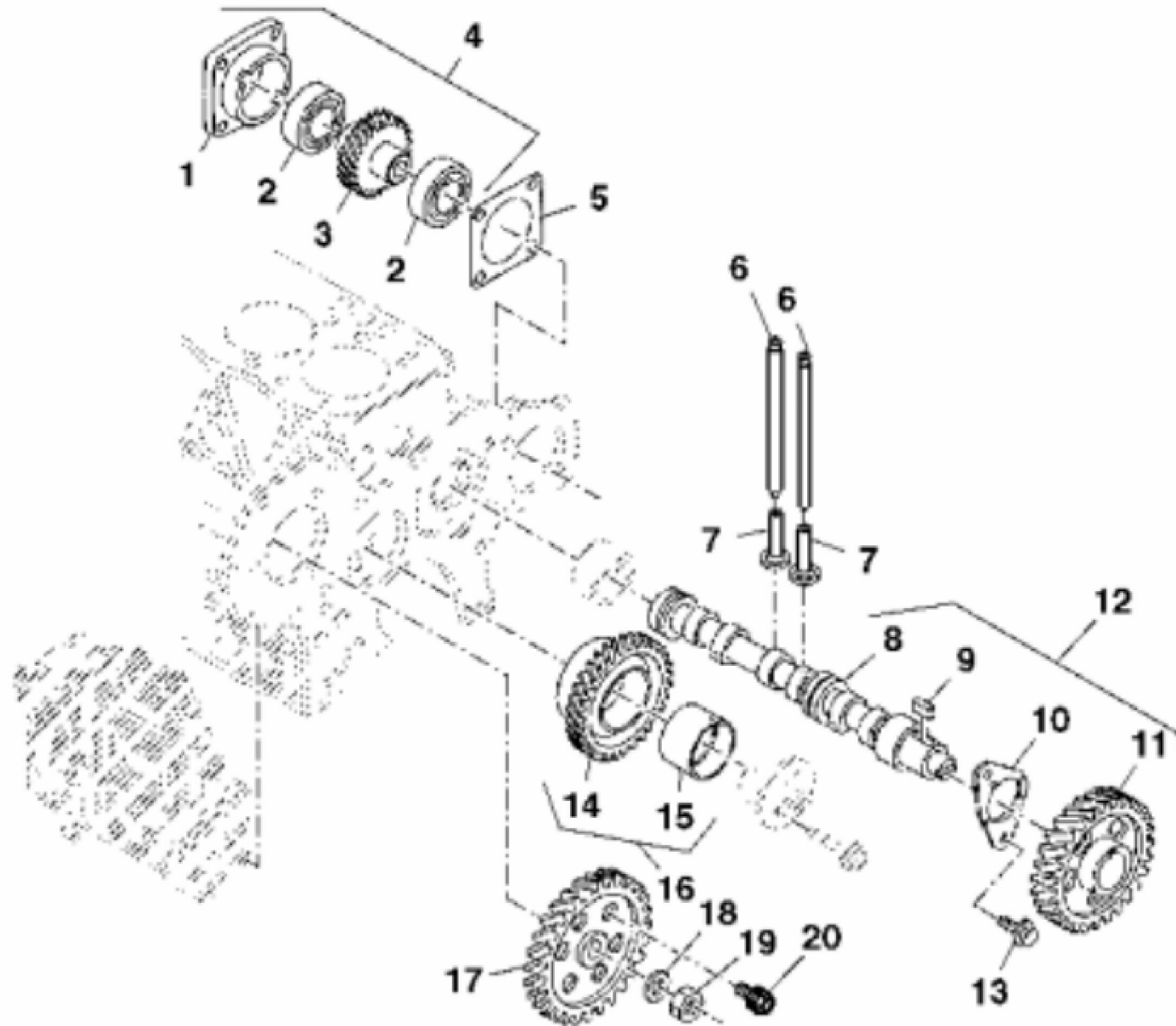
For more complete manuals. Please go to the home page.

<https://www.ebooklibonline.com>

If the above button click is invalid. Please download this document first, and then click the above link to download the complete manual.

Thank you so much for reading

KEY	PART NO.	PART NAME	QTY	REMARKS	
1	CH10348	NUT	3		
2	CH10568	PACKING	3		
3	19M7865	SCREW	2	M8 X 16	
4	M801031	CAP	1		
5	M801033	PLATE	1		
6	M801034	O-RING	1		
7	M801032	DEFLECTOR	1		
8	M801230	GASKET	1	BREATHER	
9	M805710	CAP	1		
10	M805711	PACKING	1		
11	RG60621	COVER	1		
12	M801037	HOSE	1	BREATHER	



PU02735

<https://www.ebooklibonline.com>

Hello dear friend!

Thank you very much for reading.

Enter the link into your browser.

The full manual is available for immediate download.

<https://www.ebooklibonline.com>