

MP28670

KEY	PART NO.	PART NAME	QTY	REMARKS
1	M801186	BOLT	14	
2	M806440	ENGINE CYLINDER HEAD GASKET	1	
3	AM878597	CYLINDER BLOCK	1	
4	CH10335	PLUG	3	
5	EPC200680	PLUG	1	
6	M802255	PIN	4	
7	DRAIN PLUG	1	
8	CH18079	SPRING PIN	2	
9	30M7023	PLUG	6	
10	15H562	PIPE PLUG	1	1"
11	M800977	BUSHING	1	CAMSHAFT
12	M800978	SHAFT	1	IDLER
13	CH19101	BOLT	2	
14	M87801	PLUG	2	
15	M800974	PIPE	2	
16	MIA880555	BEARING	2	THRUST, (SUB FOR AM875373)
17	AM875371	BEARING KIT	4	MAIN, STD
17	MIA880550	BEARING	4	.25MM (.010") US, MAIN, (SUB FOR AM875374)
18	BEARING CAP	3	
19	M801189	BOLT	8	
20	BEARING CAP	1	
21	LVU12384	HEAT SHIELD	1	RH
22	LVU12389	HEAT SHIELD	1	LH
23	19M7785	BOLT	1	M10 X 25
24	19M7864	BOLT	2	M8 X 12
25	19M7866	BOLT	1	M8 X 20
26	19M7784	BOLT	1	M10 X 20
27	14M7298	FLANGE NUT	1	M8
28	24M7213	WASHER	1	10.500 X 25 X 4 mm
29	R183947	SPACER	1	(SUB FOR LVU13714)
..	AM131602	ENGINE	1	(MARKED 3TNE84-EJT431) (SUB AM880675)
..	AM880675	SHORT BLOCK ASSEMBLY	1	
..	LVU13639	SEAL	1	RH AIRDAM SHIELD
..	LVU13645	SEAL	1	LH AIRDAM SHIELD
..	LVU10366	ISOLATOR	1	BOTTOM AIRDAM SHIELD

<https://www.ebooklibonline.com>

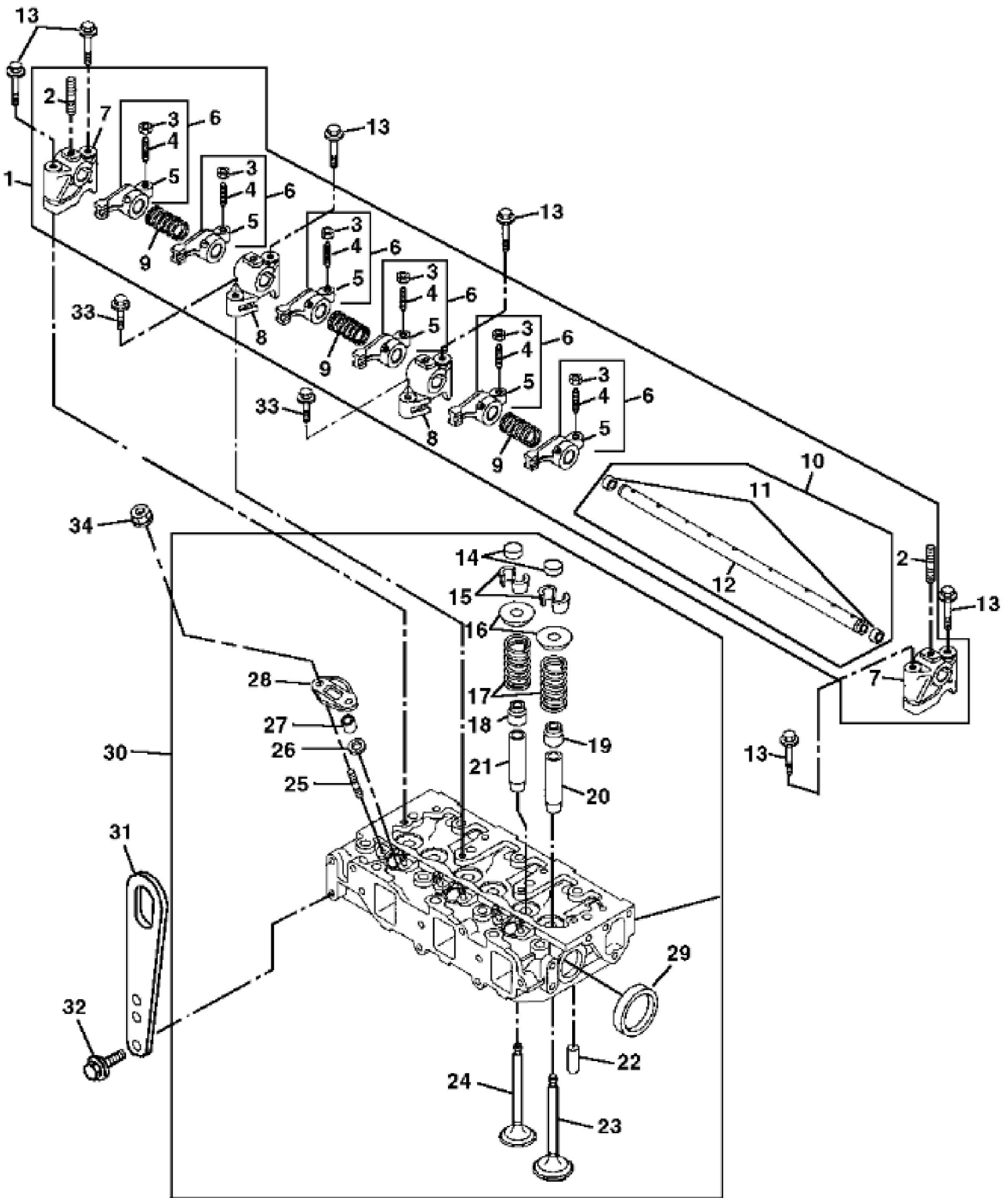
Hello dear friend!

Thank you very much for reading.

Enter the link into your browser.

The full manual is available for immediate download.

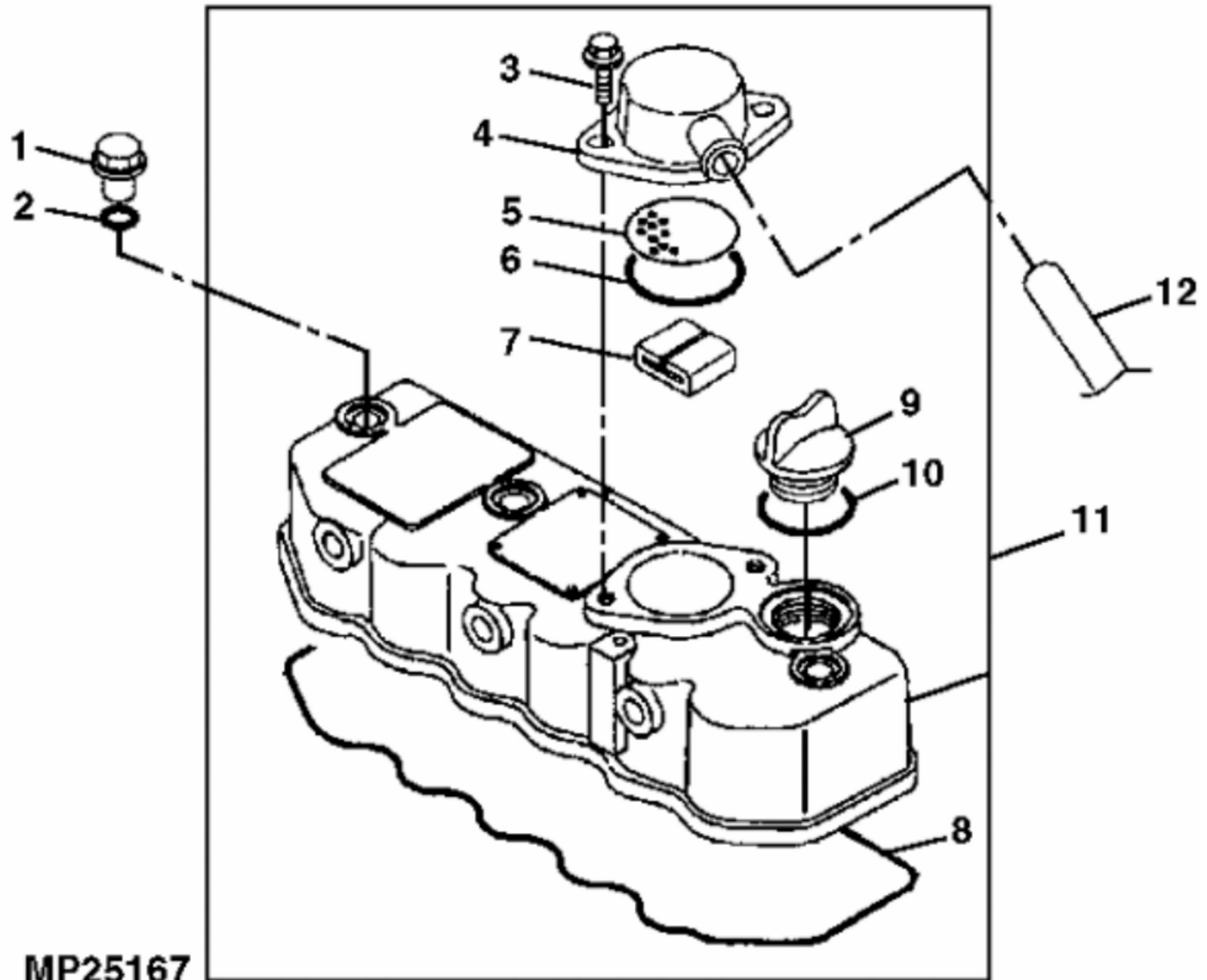
<https://www.ebooklibonline.com>



MP25255

ARMS

KEY	PART NO.	PART NAME	QTY	REMARKS	
1	AM875533	SUPPORT	1		
2	M801024	STUD	3		
3	M801028	NUT	1		
4	M801027	SCREW	1		
5	ROCKER ARM	1		
6	AM875383	ROCKER ARM	6		
7	M801022	SUPPORT	2	ROCKER ARM	
8	M801023	SUPPORT	2	ROCKER ARM	
9	M801025	SPRING	3		
10	AM875534	SHAFT	1		
11	M800002	PLUG	2		
12	ROCKER ARM SHAFT	1		
13	19M7800	SCREW	6	M8 X 50	
14	M801224	CAP	6		
15	CH10067	RETAINER	3	NLA, (2 PER PKG)	
16	M801223	RETAINER	6	SPRING	
17	M801222	SPRING	6	VALVE	
18	T110650	SEAL	3	EXHAUST VALVE	
19	CH10450	SEAL	3	INTAKE VALVE	
20	M801227	GUIDE	3	INTAKE VALVE	
21	M801228	GUIDE	3	EXHAUST VALVE	
22	CH18079	SPRING PIN	2		
23	M801220	INTAKE VALVE	3		
24	M801221	EXHAUST VALVE	3		
25	M801219	STUD	6		
26	M801017	VALVE SEAT	3		
27	M801016	GUARD	3	(SUB FOR M810460)	
28	M801018	RETAINER	3		
29	CH16751	PLUG	2		
30	AM880362	CYLINDER HEAD	1		
31	AT211695	LIFT ARM	2		
32	19M7865	SCREW	4	M8 X 16	
33	19M7867	SCREW	2	M8 X 25	
34	14M7303	FLANGE NUT	6	M6	



MP25167



Suggest:

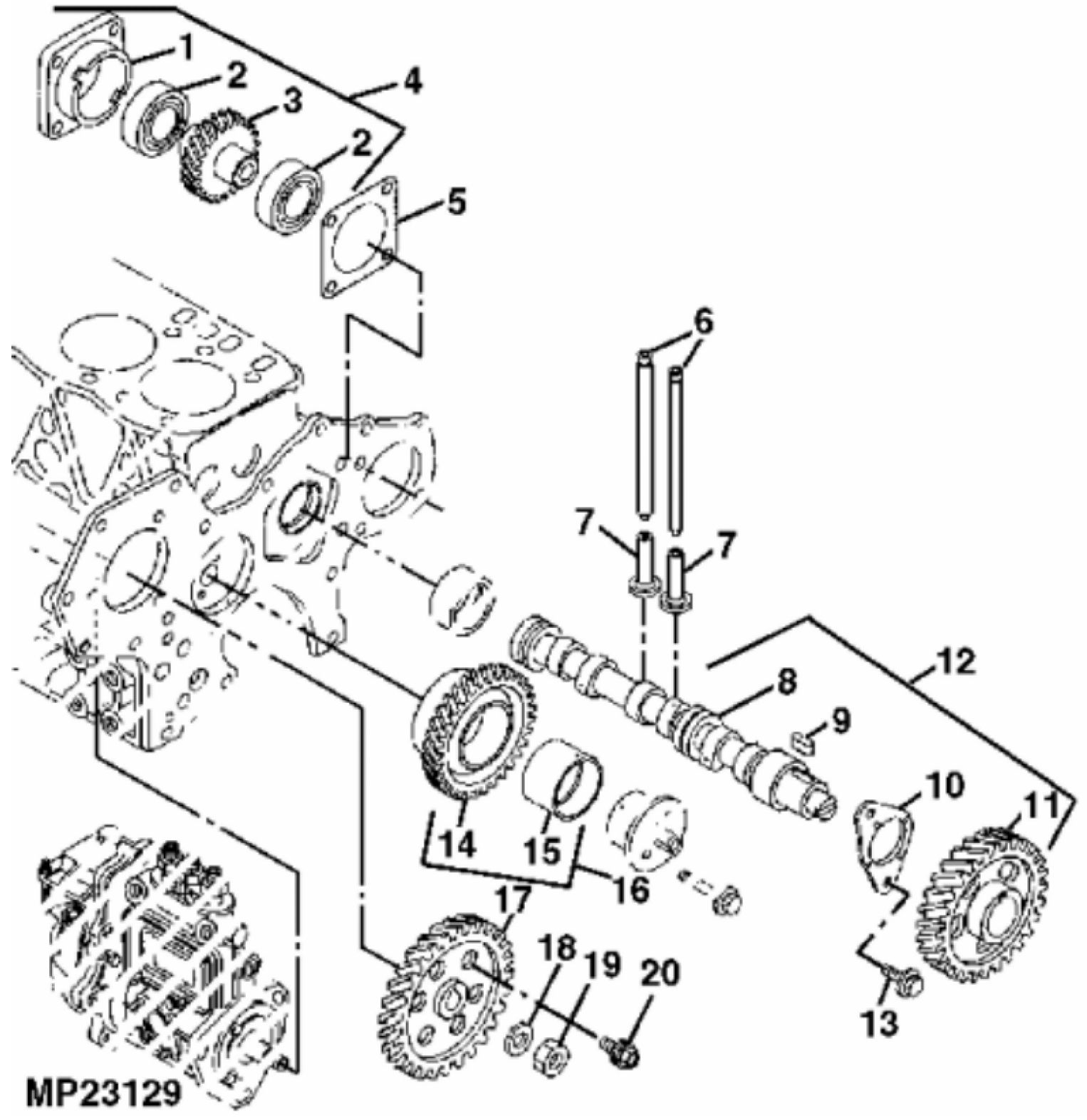
For more complete manuals. Please go to the home page.

<https://www.ebooklibonline.com>

If the above button click is invalid. Please download this document first, and then click the above link to download the complete manual.

Thank you so much for reading

KEY	PART NO.	PART NAME	QTY	REMARKS	
1	CH10348	NUT	3		
2	CH10568	PACKING	3		
3	19M7865	SCREW	2	M8 X 16	
4	M801031	CAP	1		
5	M801033	PLATE	1		
6	M801034	O-RING	1		
7	M801032	DEFLECTOR	1		
8	M801741	PACKING	1		
9	M805710	CAP	1		
10	M805711	PACKING	1		
11	AT110858	VALVE COVER	1		
12	M804268	HOSE	1	BREATHER	



<https://www.ebooklibonline.com>

Hello dear friend!

Thank you very much for reading.

Enter the link into your browser.

The full manual is available for immediate download.

<https://www.ebooklibonline.com>