

PULV104508A

KEY	PART NO.	PART NAME	QTY	REMARKS	
1	M809565	DRAIN PLUG	1		
2	15H562	PIPE PLUG	1	1"	
3	M801189	BOLT	10		
4	MIU800573	CAMSHAFT	1		
5	30M7023	PLUG	8		
6	CH10314	PLUG	1		
7	CH10335	PLUG	2		
8	MIA880555	BEARING	2	(Over Sized (O.S=0.25) Part) SUB FOR AM875373	
9	M87801	PLUG	2		
10	M801186	BOLT	18		
11	MIU800384	GASKET	1		
12	M811307	PLUG	1		
13	MIA880554	BEARING	5	(Spare Part)	
13	MIA880550	BEARING	5	(Under Sized (U.S=0.25) Part)	
13	AM875371	BEARING KIT	5		
14	MIA13177	DIESEL ENGINE	1	Not Illustrated; MARKED 4TNV84T-BMJTE; SUB FOR MIA12243	

<https://www.ebooklibonline.com>

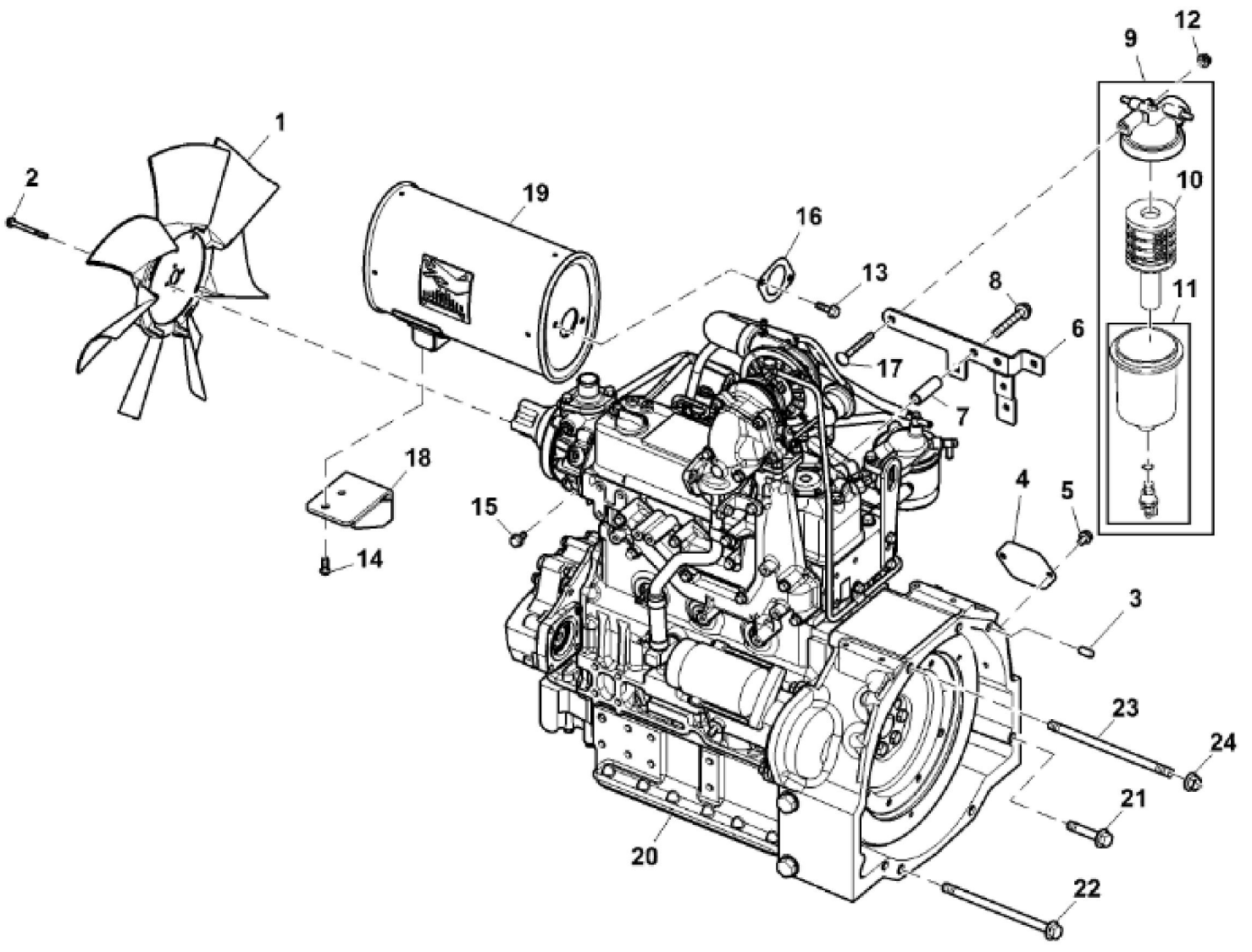
Hello dear friend!

Thank you very much for reading.

Enter the link into your browser.

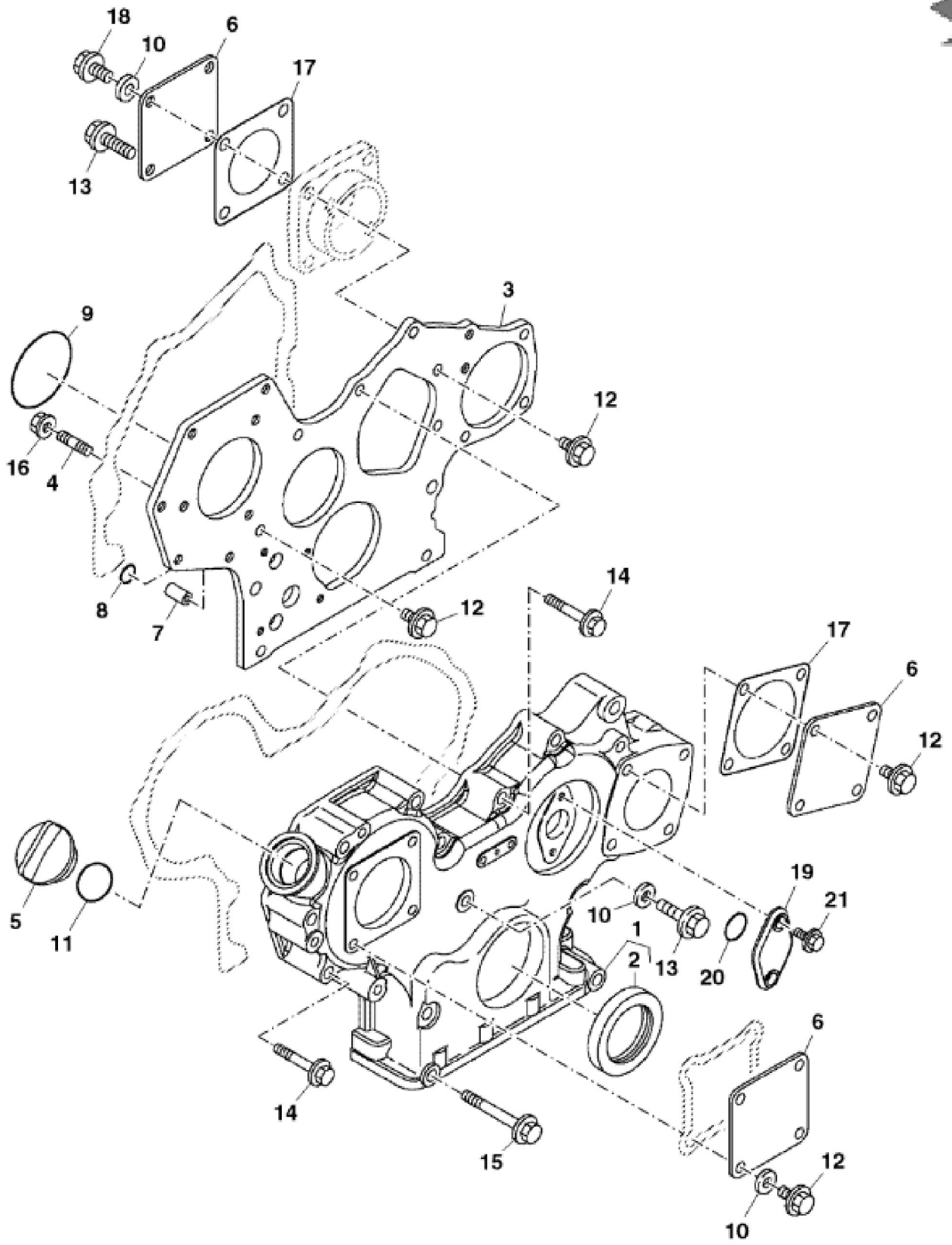
The full manual is available for immediate download.

<https://www.ebooklibonline.com>



LV274867

KEY	PART NO.	PART NAME	QTY	REMARKS	
1	LVU23150	FAN	1		
2	M89120	BOLT	4		
3	44M7131	DOWEL PIN	2		
4	M132855	PLATE	1		
5	19M7864	SCREW	2	M8 X 12	
6	LVU29587	PLATE	1		
7	28H1532	SPACER	2	0.493" X 0.675" X 2"	
8	19M7808	SCREW	2	M10 X 65	
9	AM881823	SEPARATOR	1		
10	M811032	FILTER ELEMENT	1		
11	MIA880786	DUST BOWL	1		
12	14M7298	FLANGE NUT	1	M8	
13	19M7867	SCREW	2	M8 X 25	
14	21M7572	SOCKET HEAD SCREW	2	M8 X 20	
15	19M7865	SCREW	2	M8 X 16	
16	M805007	GASKET	2		
17	03M7305	BOLT	1	M8 X 70	
18	MIU803323	CLIP	1		
19	MIU803777	MUFFLER	1		
20	MIA13177	DIESEL ENGINE	1	SUB FOR MIA12243	
21	19M7815	SCREW	5	M12 X 60	
22	LVU25337	SCREW	2		
23	LVU26821	ROD	2		
24	14M7299	FLANGE NUT	2	M12	



PULV104509



Suggest:

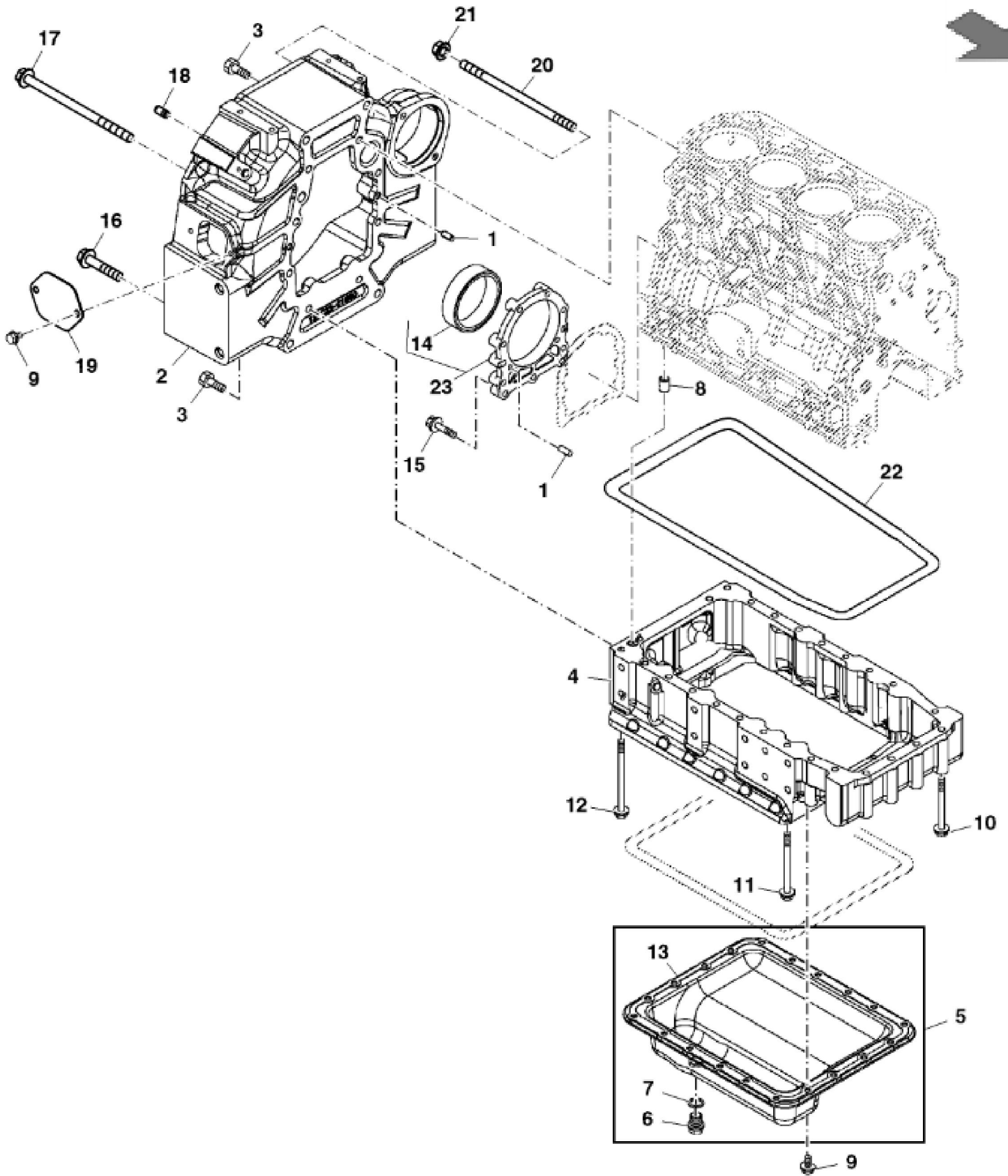
For more complete manuals. Please go to the home page.

<https://www.ebooklibonline.com>

If the above button click is invalid. Please download this document first, and then click the above link to download the complete manual.

Thank you so much for reading

KEY	PART NO.	PART NAME	QTY	REMARKS	
1	MIA883012	HOUSING	1		
2	M811078	SEAL	1		
3	MIU800802	GEAR CASE	1		
4	MIU800440	STUD	3		
5	M805710	CAP	1		
6	CH18096	COVER	3		
7	M800974	PIPE	2		
8	M810185	O-RING	2		
9	CH16940	O-RING	1		
10	M803523	WASHER	6		
11	M805711	PACKING	1		
12	19M7865	SCREW	11	M8 X 16, SUB FOR CH18390	
13	19M7868	SCREW	4	M8 X 30	
14	CH19090	BOLT	10		
15	CH19136	BOLT	3		
16	14M7298	FLANGE NUT	3	M8, SUB FOR M810186	
17	MIU802578	GASKET	2		
18	19M7866	SCREW	1	M8 X 20, SUB FOR CH19139	
19	MIU800476	COVER	1		
20	CH13526	PACKING	1		
21	19M7775	SCREW	2	M6 X 16, SUB FOR M87868	



LV291021

<https://www.ebooklibonline.com>

Hello dear friend!

Thank you very much for reading.

Enter the link into your browser.

The full manual is available for immediate download.

<https://www.ebooklibonline.com>