

CDP45564

KEY	PART NO.	PART NAME	QTY	Engine Serial No.	3800	REMARKS
1	.....	CYLINDER BLOCK	1		X	(MARKED R115081 OR R504849) (ORD RE520377)
2	RE63674	VALVE	1		X	KIT
3	15H623	PIPE PLUG	1		X	3/8"
4	RE508185	FITTING	AR		X	1-5/8"-12UN, STEEL, (SUB FOR RE502422)
5	U13639	O-RING	1		X	(USE WITH RE508185 AND R123616)
5	R501377	RING	1		X	(FOR RE502422)
6	RE46685	FITTING PLUG	AR		X	M18 X 1.5
7	51M7043	O-RING	1		X	15.300 X 2.200 mm
8	R123616	PLUG	AR		X	1-5/8"-12UN X M18X1.5
9	R131182	ORIFICE	4		X	
10	RE56375	CAMSHAFT	1		X	(MARKED R135439 OR RE522315)
10	SE501624	CAMSHAFT REMAN	1		X	(REMAN FOR RE56375)
11	R132518	PLATE	1		X	
12	19M7867	SCREW	2		X	M8 X 25, (10.9)
13	R48685	DOWEL PIN	4		X	
14	R116466	PLUG	1		X	
15	R119874	BUSHING	1		X	(ALSO ORDER TY6333)
16	T18891	PLUG	2		X	OD= 16MM
17	R26650	DOWEL PIN	2		X	9.525 X 25.400 mm (3/8" X 1")
18	R115299	BUSHING	6		X	
19	T20168	WASHER	10		X	
20	T23474	CAP SCREW	10		X	
21	R97185	O-RING	1		X	
22	R115390	BUSHING	1		X	FOR R75892
23	R75892	O-RING	1		X	FOR R115390
24	RE42713	PIPE PLUG	4		X	1/8"-27NPT, (SUB FOR R104592)
25	15H584	PIPE PLUG	AR		X	1/2"
26	RE507807	PIPE PLUG	AR		X	1/4"-18NPT, THREADS WITH PRE-APPLIED SEALANT
27	AT13740	DRAIN VALVE	AR		X	1/4"-18NPT
28	R26493	BUSHING	1	____-663165	X	(FOR R83169 AND R131425)
29	RE505501	BLEED VALVE	1	663166-____	X	

**<https://www.ebooklibonline.com>**

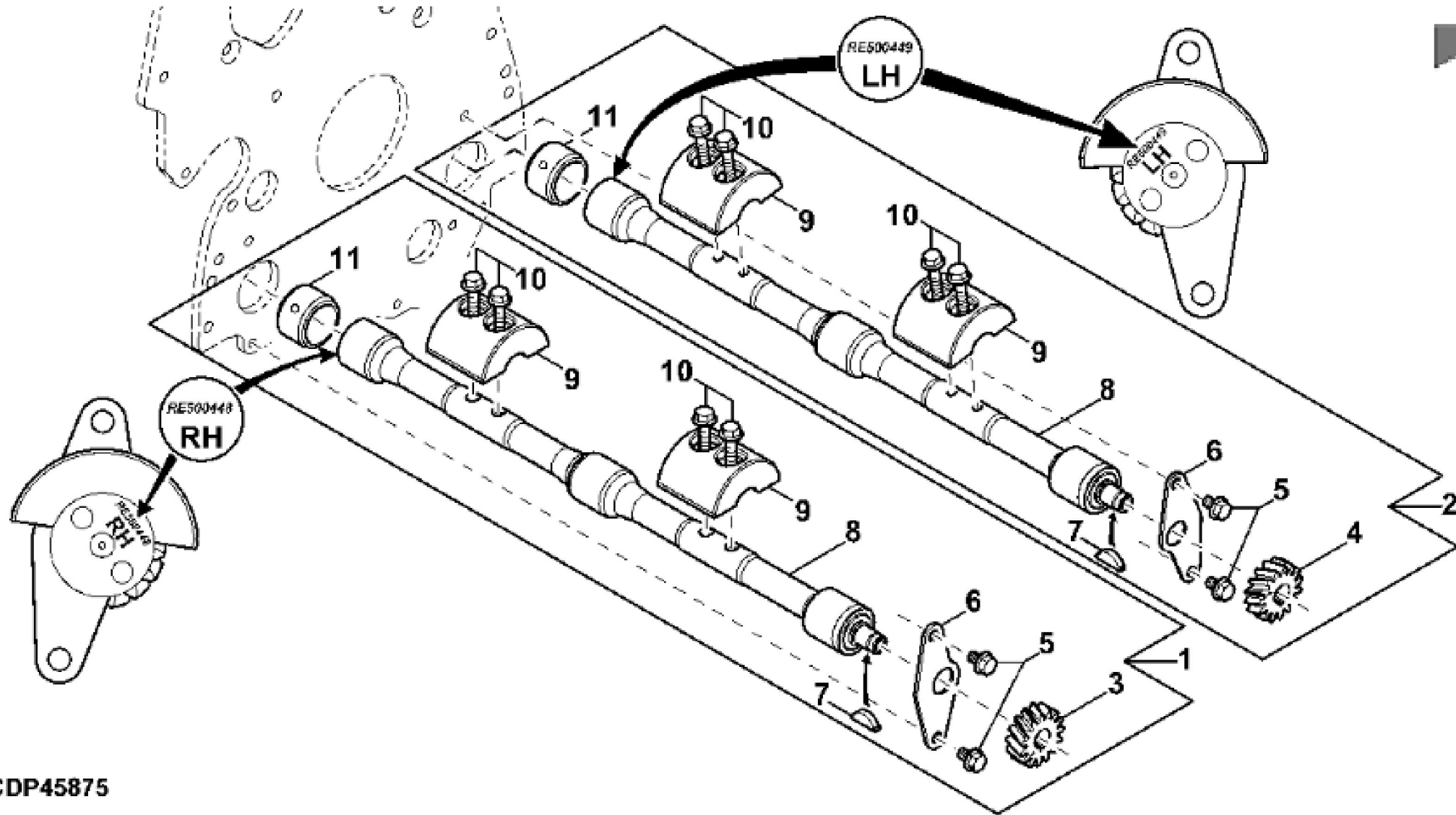
Hello dear friend!

Thank you very much for reading.

Enter the link into your browser.

The full manual is available for immediate download.

**<https://www.ebooklibonline.com>**



SHAFT

KEY	PART NO.	PART NAME	QTY	3800	REMARKS
1	RE502447	BALANCER SHAFT	1	X	RH, KIT
2	RE502446	BALANCER SHAFT	1	X	LH, KIT
3	R120637	GEAR	1	X	Z= 15 , RH
4	R120639	GEAR	1	X	Z= 15 , LH
5	19M7864	SCREW	2	X	M8 X 12, (10.9)
6	R116078	PLATE	1	X	
7	R133303	SHAFT KEY	1	X	
8	.....	BALANCER SHAFT	1	X	RH, NSEP, (MARKED RE500448) (ORDER RE502447)
8	.....	BALANCER SHAFT	1	X	LH, NSEP, (MARKED RE500449) (ORDER RE502446)
9	R500650	WEIGHT	2	X	
10	19M7798	SCREW	4	X	M8 X 40, (10.9)
11	R115299	BUSHING	3	X	



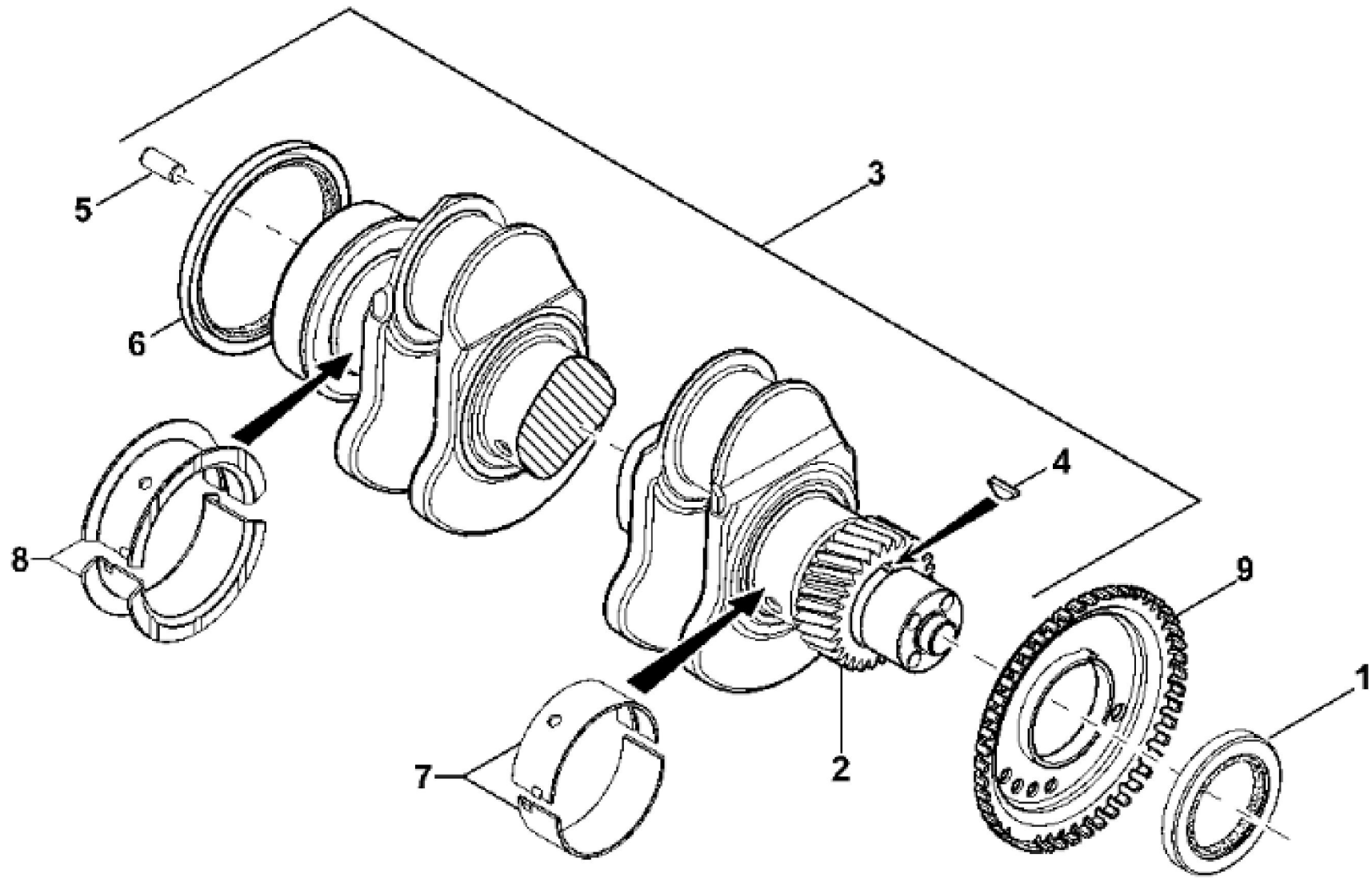
**Suggest:**

**For more complete manuals. Please go to the home page.**

**<https://www.ebooklibonline.com>**

**If the above button click is invalid. Please download this document first, and then click the above link to download the complete manual.**

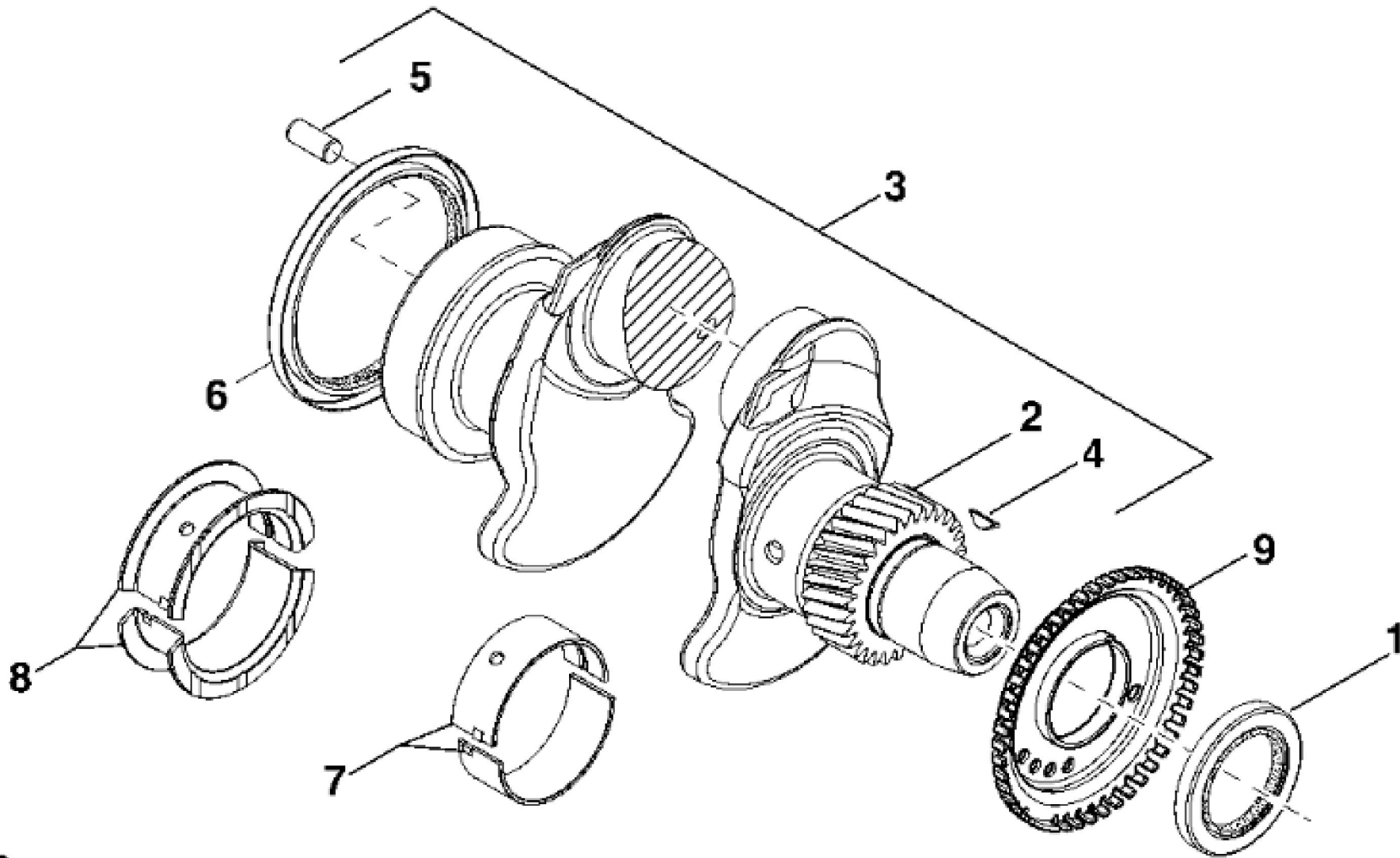
**Thank you so much for reading**



CDP45907A

John Deere > Turf And Utility > TELESCOPIC HANDLER > 3800 - TELESCOPIC HANDLER > 3800 Telescopic Handler (Worldwide Edition) > 20 ENGINE CD4045HZ050 ( - 799999) > ST408783 - CRANKSHAFT WITH STRAIGHT NOSE / BEARINGS

KEY	PART NO.	PART NAME	QTY	3800	REMARKS
1	RE538097	SEAL	1	X	FRONT, (SUB FOR RE516340)
2	R120631	GEAR	1	X	Z= 30
3	RE504638	CRANKSHAFT	1	X	(Grinding Guidelines : See CTM104) (ALSO ORDER RE538097 AND RE44574) ASSY, INCL KEYS 2, 4, 5
3	SE501654	CRANKSHAFT REMAN	1	X	(With Bearings) (REMAN FOR RE504638)
4	R505609	SHAFT KEY	1	X	
5	R48685	DOWEL PIN	1	X	
6	RE44574	SEAL	1	X	REAR
7	RE65165	BEARING KIT	4	X	STD, (KIT R123561 AND R123562)
7	RE65911	BEARING	AR	X	(Grinding Guidelines : See CTM104) ID-0.254MM, (KIT R130574 AND R130575)
8	RE65168	BEARING KIT	1	X	STD, (KIT R123563 AND R123564)
8	RE65912	THRUST BEARING	AR	X	(Grinding Guidelines : See CTM104) ID-0.254MM, (KIT R130574 AND R130575)
9	R517471	WHEEL	1	X	(SUB FOR R501489)



CD43900B

**<https://www.ebooklibonline.com>**

Hello dear friend!

Thank you very much for reading.

Enter the link into your browser.

The full manual is available for immediate download.

**<https://www.ebooklibonline.com>**