

MP4210

KEY	PART NO.	PART NAME	QTY	REMARKS
1	M801186	BOLT	18	
2	M805849	ENGINE CYLINDER HEAD GASKET	1	(SUB FOR M801187)
3	AM875370	CYLINDER BLOCK	1	(INCLUDES PARTS MARKED (A))
4	CH10335	PLUG	3	
5	CH10570	O-RING	2	
6	15H562	PIPE PLUG	1	1"
7	15H558	PIPE PLUG	1	1/8"
8	M809565	DRAIN PLUG	1	
9	M87801	PLUG	2	
10	CH10642	PLUG	8	
11	CH10554	PACKING	4	(SUB FOR R180245)
12	15H666	PIPE PLUG	1	3/8"
13	19M7864	SCREW	4	M8 X 12, (SUB FOR CH19137)
14	M800974	PIPE	2	
15	MIU800573	CAMSHAFT	1	BUSH (SUB FOR M800977)
16	M801189	BOLT	10	(A)
17	AM875371	BEARING KIT	5	(A), (MAIN) STD.
17	MIA880550	BEARING	5	0.25 US, (SUB FOR AM875374)
18	AM875373	BEARING KIT	2	(A)
19	M800978	SHAFT	1	IDLER
20	CH19101	BOLT	2	
21	M89143	GUIDE	1	
22	AM100856	SWITCH	1	OIL PRESSURE
23	AM100800	DRAIN VALVE	1	
24	M802255	PIN	2	(SUB FOR CH10534, THIS APPLICATION)
25	CH18079	SPRING PIN	2	
26	CH10571	PACKING	1	
27	19M7865	SCREW	1	M8 X 16
28	AT110842	DIPSTICK	1	
29	CH15495	GUIDE	1	
30	.....	BEARING CAP	1	(A), (ORDER AM875370)
31	.....	BEARING CAP	4	(A), (ORDER AM875370)
..	ET10143	DIESEL ENGINE	1	COMPLETE (NLA) (ORDER AM119004)
..	AM119004	SHORT BLOCK ASSEMBLY	1	(INCLUDES CYLINDER BLOCK, CRANKSHAFT, PISTONS, CONNECTING RODS, CAMSHAFT AND IDLE GEAR)

**<https://www.ebooklibonline.com>**

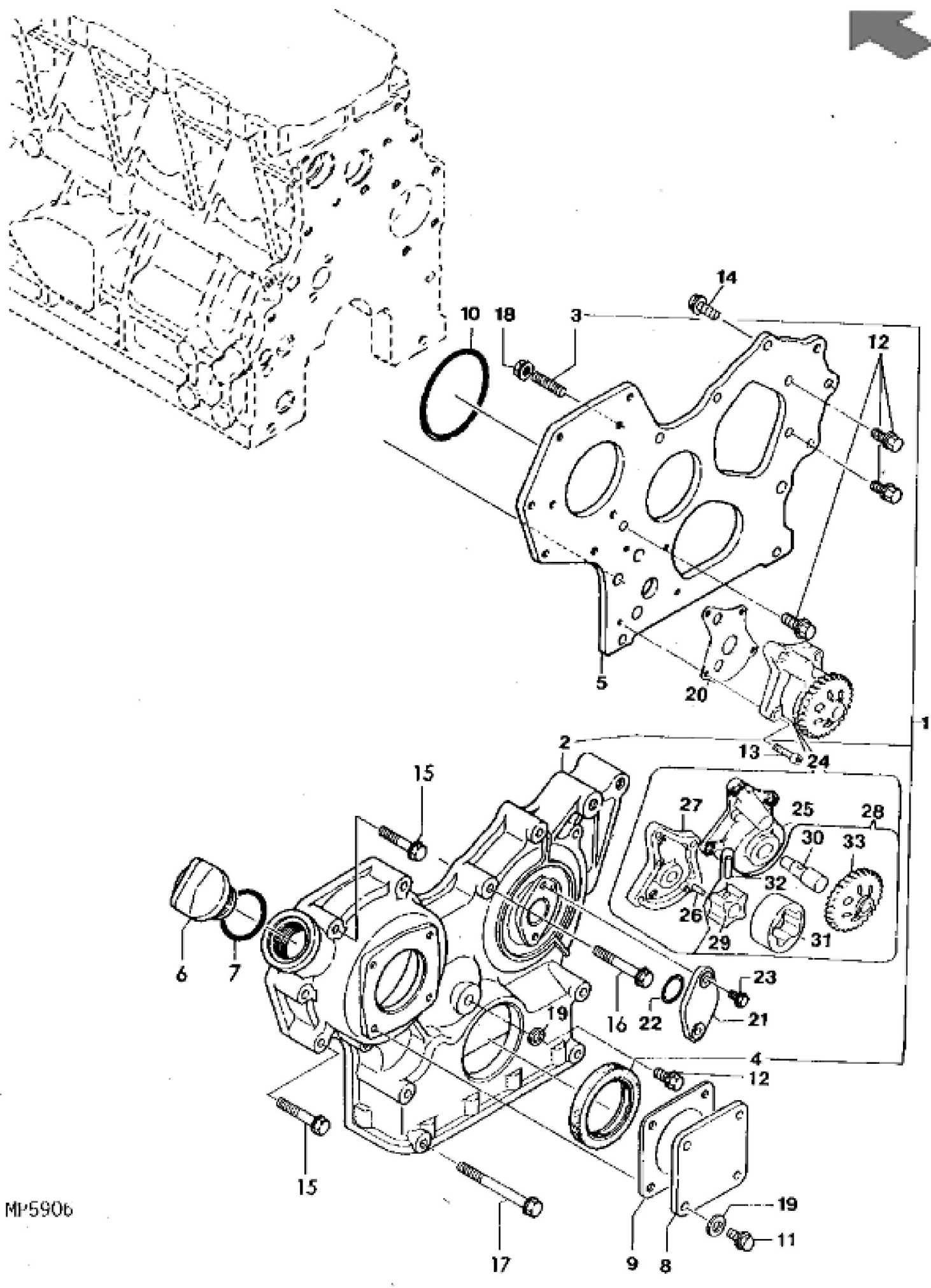
Hello dear friend!

Thank you very much for reading.

Enter the link into your browser.

The full manual is available for immediate download.

**<https://www.ebooklibonline.com>**

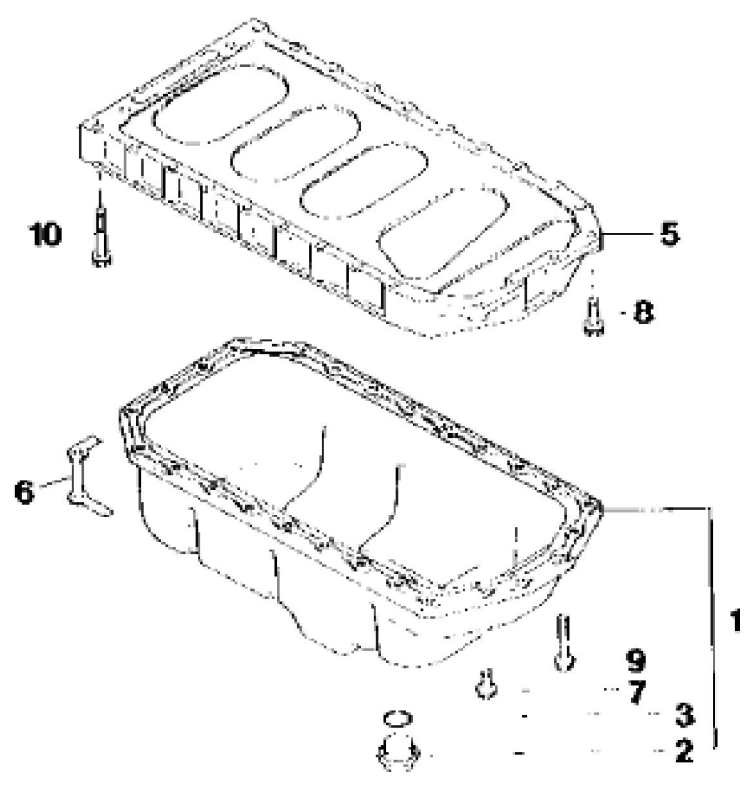
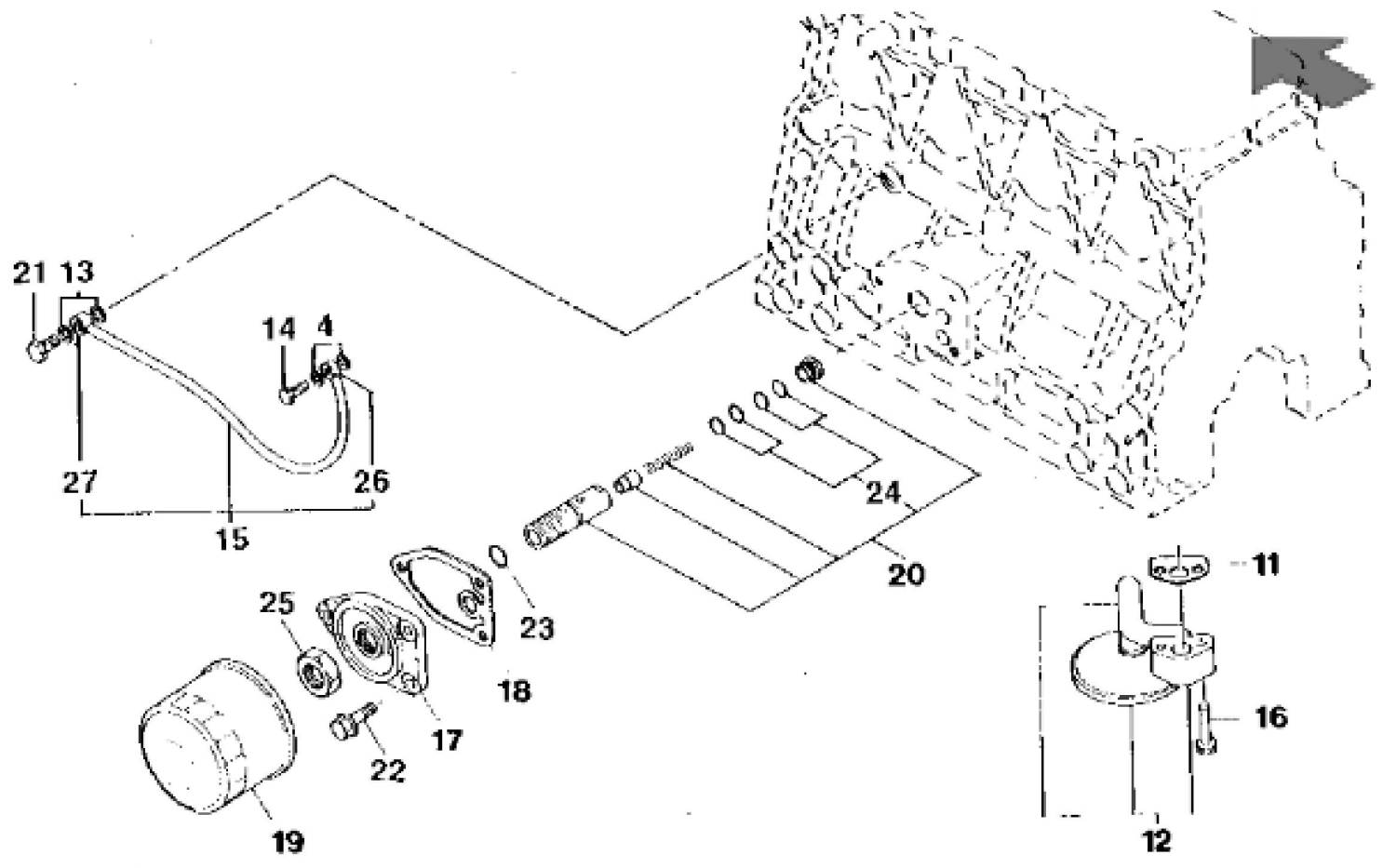


MP5906

John Deere > Turf And Utility > MOWER, PROFESSIONAL TURF > 3365 - MOWER, PROFESSIONAL TURF > 3365 Professional Turf Mower > 20 ENGINE ET10143 > ST561895 - FRONT GEARCASE COVER AND OIL PUMP

KEY	PART NO.	PART NAME	QTY	REMARKS
1	AM875303	COVER	1	(B)
2	.....	COVER	1	(ORDER AM875303)
3	CH15722	STUD	3	
4	M800988	SEAL	1	
5	M800989	PLATE	1	(LIQUID PACKING IS USED TO FORM A GASKET ON BOTH SIDES OF PLATE.) (B)
6	M805710	CAP	1	(B), (SUB FOR CH10332)
7	M805711	PACKING	1	(B), (SUB FOR CH15414)
8	CH18096	COVER	1	(B)
9	MIU802578	GASKET	1	(B), SUB FOR CH12816 or M805696
10	CH16940	O-RING	1	(B)
11	19M7864	SCREW	4	M8 X 12, (B)
12	19M7865	SCREW	4	M8 X 16, (B)
13	M800676	BOLT	4	
14	19M7866	SCREW	2	M8 X 20, (B)
15	CH19101	BOLT	6	(B)
16	19M7979	SCREW	3	M8 X 55
17	CH19136	BOLT	4	(B)
18	14M7298	FLANGE NUT	3	M8, (B)
19	M806424	WASHER	5	(B), (SUB FOR CH10645)
20	M801005	GASKET	1	
21	M87874	COVER	1	
22	CH17653	PACKING	1	
23	19M7774	SCREW	2	M6 X 12
24	MIA883559	OIL PUMP	1	SUB FOR AM875377 OR T110706 OR AM878891
25	.....	HOUSING	1	(ORDER AM878891) (SUB FOR AM875377)
26	CH15933	PIN	2	USE WITH AM875377 OR T110706
26	CH10539	SPRING PIN	2	USE WITH MIA883559
27	.....	COVER	1	(ORDER AM878891) (SUB FOR AM875377)
28	.....	ROTOR	1	(ORDER AM878891) (SUB FOR AM875378)
29	.....	ROTOR	1	INNER (ORDER AM878891) (SUB FOR AM875378)
30	.....	SHAFT	1	(ORDER AM878891) (SUB FOR AM875378)
31	.....	ROTOR	1	OUTER (ORDER AM878891) (SUB FOR AM875378)
32	.....	PIN	1	(ORDER AM878891) (SUB FOR AM875378)

KEY	PART NO.	PART NAME	QTY	REMARKS	
33	.....	GEAR	1	(ORDER AM878891) (SUB FOR AM875378)	
..	AM878200	GEAR CASE	1	(INCLUDES PARTS MARKED (B)) (SUB FOR AT110877)	





**Suggest:**

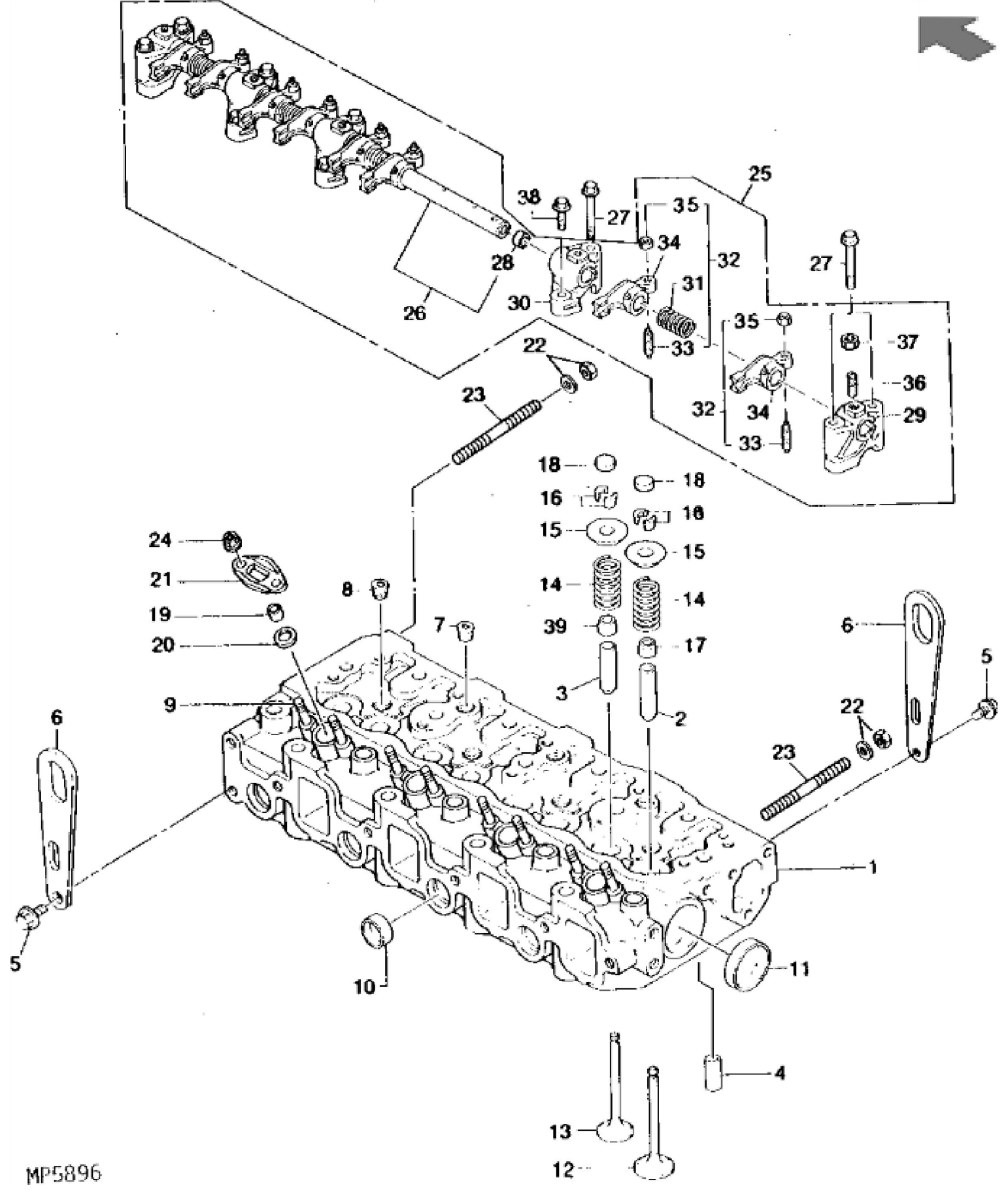
**For more complete manuals. Please go to the home page.**

**<https://www.ebooklibonline.com>**

**If the above button click is invalid. Please download this document first, and then click the above link to download the complete manual.**

**Thank you so much for reading**

KEY	PART NO.	PART NAME	QTY	REMARKS
1	AM875376	RESERVOIR	1	(LIQUID PACKING REQUIRED BETWEEN OIL PAN HALVES AND TOP OF M801207.)
2	M800994	DRAIN PLUG	1	
3	CH13526	PACKING	1	(SUB FOR CH14582, THIS APPLICATION)
4	M806424	WASHER	2	(SUB FOR CH10645)
5	M801207	INTERMEDIATE HOUSING	1	(LIQUID PACKING REQUIRED BETWEEN OIL PAN HALVES AND TOP OF M801207.)
6	M801206	PLATE	2	
7	19M7865	SCREW	4	M8 X 16
8	19M7867	SCREW	2	M8 X 25
9	CH19101	BOLT	20	
10	19M7800	SCREW	4	M8 X 50
11	M811792	GASKET	1	(SUB FOR M800999 OR M805829)
12	M801208	STRAINER	1	
13	CH10555	WASHER	2	
14	CH15501	BOLT	1	
15	AM875396	PIPE	1	
16	19M7897	SCREW	2	M8 X 35
17	M801000	BRACKET	1	
18	M805830	GASKET	1	(SUB FOR M801001)
19	M801209	OIL FILTER	1	
20	AM880983	HYDRAULIC PRESSURE VALVE	1	(SUB FOR AM875306)
21	CH10361	BOLT	1	
22	19M7866	SCREW	3	M8 X 20
23	CH10570	O-RING	1	
24	AM875085	SHIM	1	KIT
25	M89148	NUT	1	
26	.....	CONNECTOR	1	(ORDER AM875396)
27	.....	FITTING	1	(ORDER AM875396)



MP5896

**<https://www.ebooklibonline.com>**

Hello dear friend!

Thank you very much for reading.

Enter the link into your browser.

The full manual is available for immediate download.

**<https://www.ebooklibonline.com>**