

MP4210

KEY	PART NO.	PART NAME	QTY	REMARKS
1	M801186	BOLT	18	
2	M805849	ENGINE CYLINDER HEAD GASKET	1	(SUB FOR M801187)
3	AM875370	CYLINDER BLOCK	1	(INCLUDES PARTS MARKED (A))
4	CH10335	PLUG	3	
5	CH10570	O-RING	2	
6	15H562	PIPE PLUG	1	1"
7	15H558	PIPE PLUG	1	1/8"
8	M800973	PLUG	1	
9	M87801	PLUG	2	
10	CH10642	PLUG	8	
11	CH10554	PACKING	4	(SUB FOR R180245)
12	15H666	PIPE PLUG	1	3/8"
13	19M7864	SCREW	4	M8 X 12, (SUB FOR CH19137)
14	M800974	PIPE	2	
15	MIU800573	CAMSHAFT	1	BUSH, (SUB FOR M800977)
16	M801189	BOLT	10	(A)
17	AM875371	BEARING KIT	5	(A) (MAIN) STD.
17	MIA880550	BEARING	5	0.25 US, (SUB FOR AM875374)
18	AM875373	BEARING KIT	2	(A)
19	M800978	SHAFT	1	IDLER
20	CH19101	BOLT	2	
21	M89143	GUIDE	1	
22	AM100856	SWITCH	1	OIL PRESSURE
23	AM100800	DRAIN VALVE	1	
24	M802255	PIN	2	(SUB FOR CH10534, THIS APPLICATION)
25	CH18079	SPRING PIN	2	
26	CH10571	PACKING	1	
27	19M7865	SCREW	1	M8 X 16
28	AT110842	DIPSTICK	1	
29	CH15495	GUIDE	1	
30	BEARING CAP	1	(A) (ORDER AM875370)
31	BEARING CAP	4	(A) (ORDER AM875370)
..	ET10143	DIESEL ENGINE	1	COMPLETE (NLA) (ORDER AM119004)
..	AM119004	SHORT BLOCK ASSEMBLY	1	(INCLUDES CYLINDER BLOCK, CRANKSHAFT, PISTONS, CONNECTING RODS, CAMSHAFT AND IDLE GEAR)

<https://www.ebooklibonline.com>

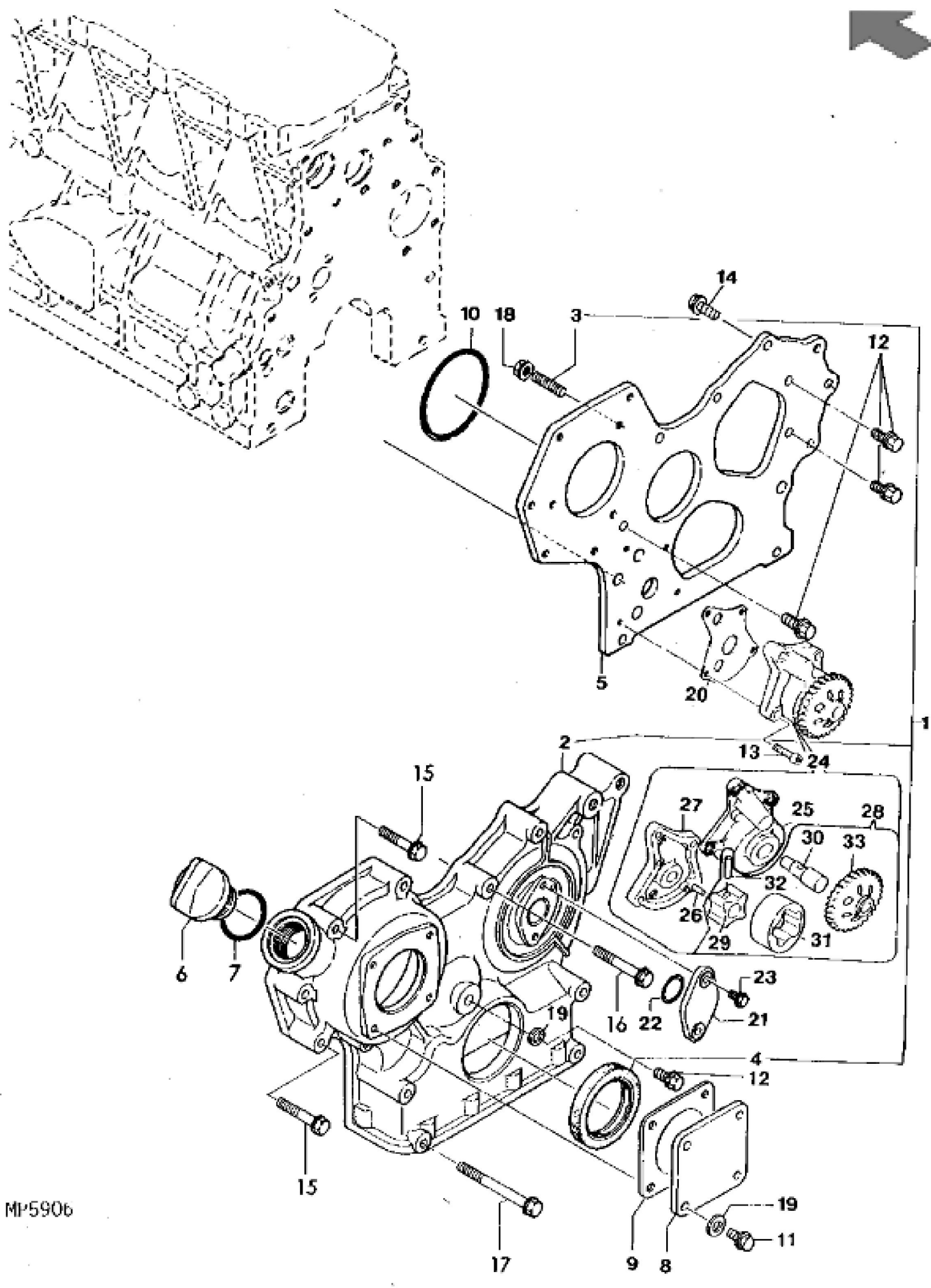
Hello dear friend!

Thank you very much for reading.

Enter the link into your browser.

The full manual is available for immediate download.

<https://www.ebooklibonline.com>

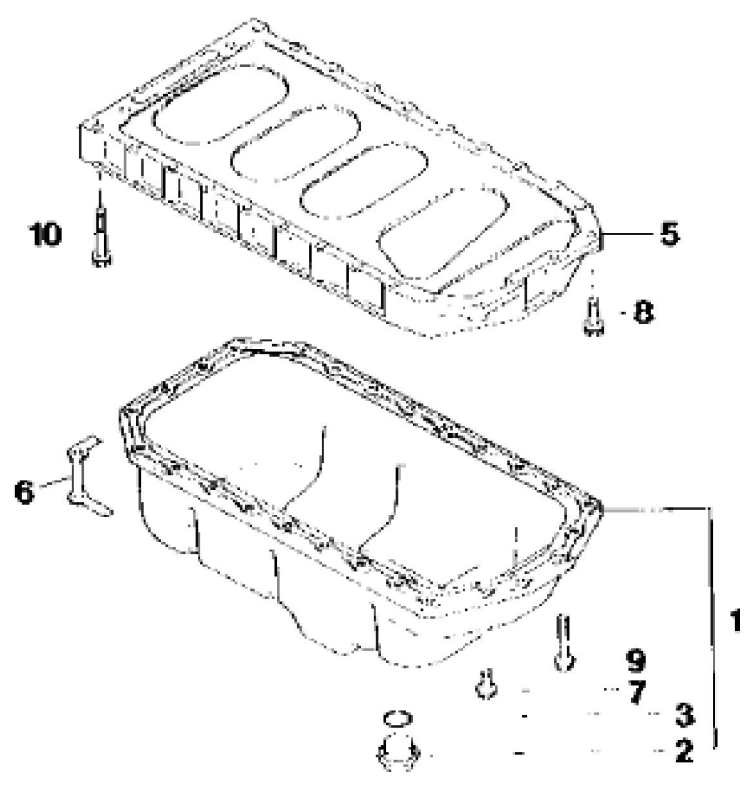
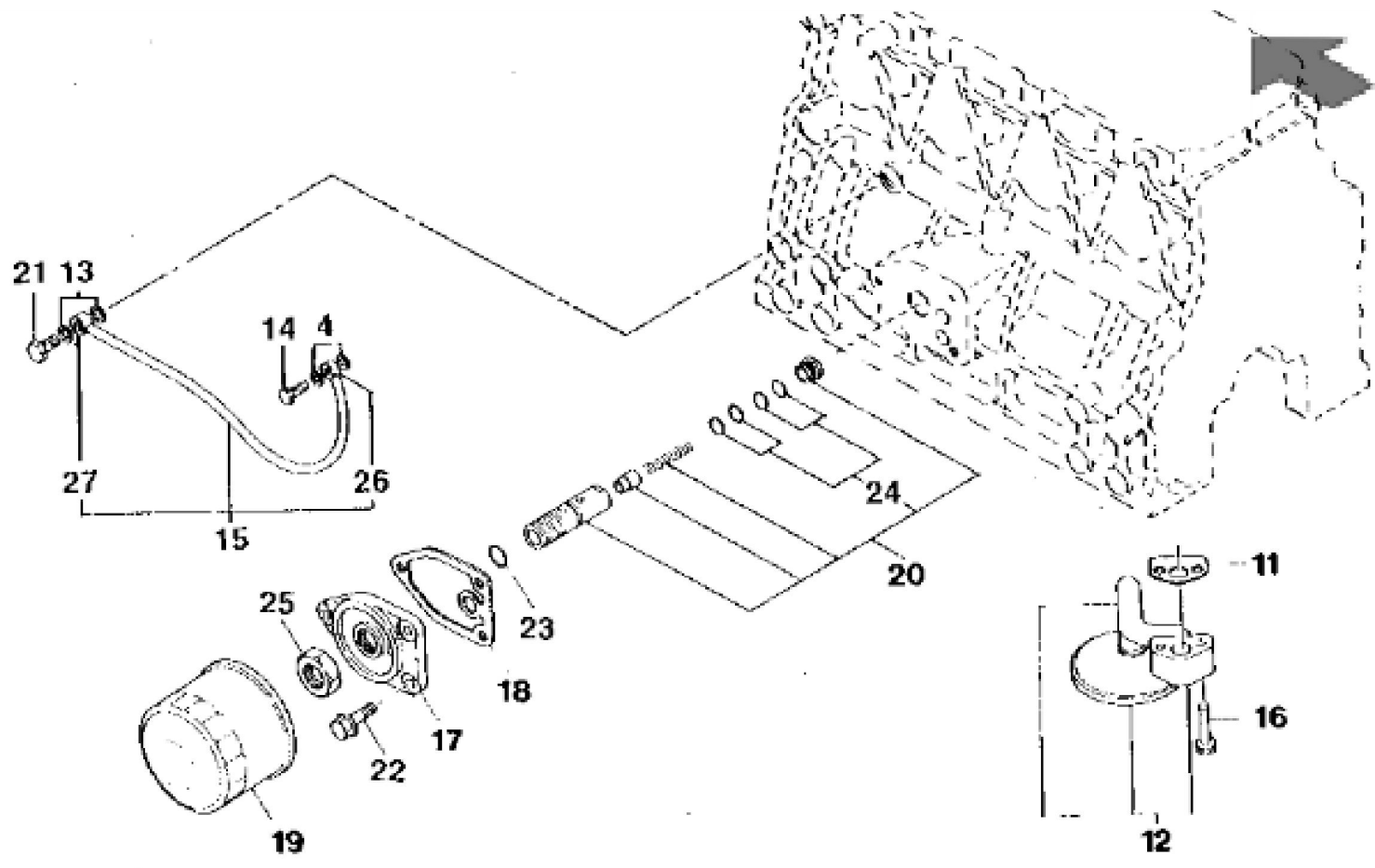


MP5906

John Deere > Turf And Utility > MOWER, PROFESSIONAL TURF > 3325 - MOWER, PROFESSIONAL TURF > 3325 Professional Turf Mower > 20 ENGINE > ST555219 - FRONT GEARCASE COVER AND OIL PUMP

KEY	PART NO.	PART NAME	QTY	REMARKS
1	AM875303	COVER	1	(B)
2	COVER	1	(ORDER AM875303)
3	CH15722	STUD	3	
4	M800988	SEAL	1	
5	M800989	PLATE	1	(LIQUID PACKING IS USED TO FORM A GASKET ON BOTH SIDES OF PLATE.) (B)
6	M805710	CAP	1	(B) (SUB FOR CH10332)
7	M805711	PACKING	1	(B) (SUB FOR CH15414)
8	CH18096	COVER	1	(B)
9	M805696	GASKET	1	(SUB FOR CH12816)
10	CH16940	O-RING	1	(B)
11	19M7864	SCREW	4	M8 X 12, (B)
12	19M7865	SCREW	4	M8 X 16, (B)
13	M800676	BOLT	4	
14	19M7866	SCREW	2	M8 X 20, (B)
15	CH19101	BOLT	6	(B)
16	19M7979	SCREW	3	M8 X 55
17	CH19136	BOLT	4	(B)
18	14M7298	FLANGE NUT	3	M8, (B)
19	M806424	WASHER	5	(B) (SUB FOR CH10645)
20	M801005	GASKET	1	
21	M87874	COVER	1	
22	CH17653	PACKING	1	
23	19M7774	SCREW	2	M6 X 12
24	MIA883559	OIL PUMP	1	SUB FOR AM875377 OR T110706 OR AM878891
25	HOUSING	1	(ORDER AM878891) (SUB FOR AM875377)
26	CH15933	PIN	2	USE WITH AM875377 OR T110706
26	CH10539	SPRING PIN	2	USE WITH MIA883559
27	COVER	1	(ORDER AM878891) (SUB FOR AM875377)
28	ROTOR	1	(ORDER AM878891) (SUB FOR AM875378)
29	ROTOR	1	INNER, (ORDER AM878891) (SUB FOR AM875378)
30	SHAFT	1	(ORDER AM878891) (SUB FOR AM875378)
31	ROTOR	1	OUTER, (ORDER AM878891) (SUB FOR AM875378)
32	PIN	1	(ORDER AM878891) (SUB FOR AM875378)

KEY	PART NO.	PART NAME	QTY	REMARKS	
33	GEAR	1	(ORDER AM878891) (SUB FOR AM875378)	
..	AM878200	GEAR CASE	1	(INCLUDES PARTS MARKED (B)) (SUB FOR AT110877)	





Suggest:

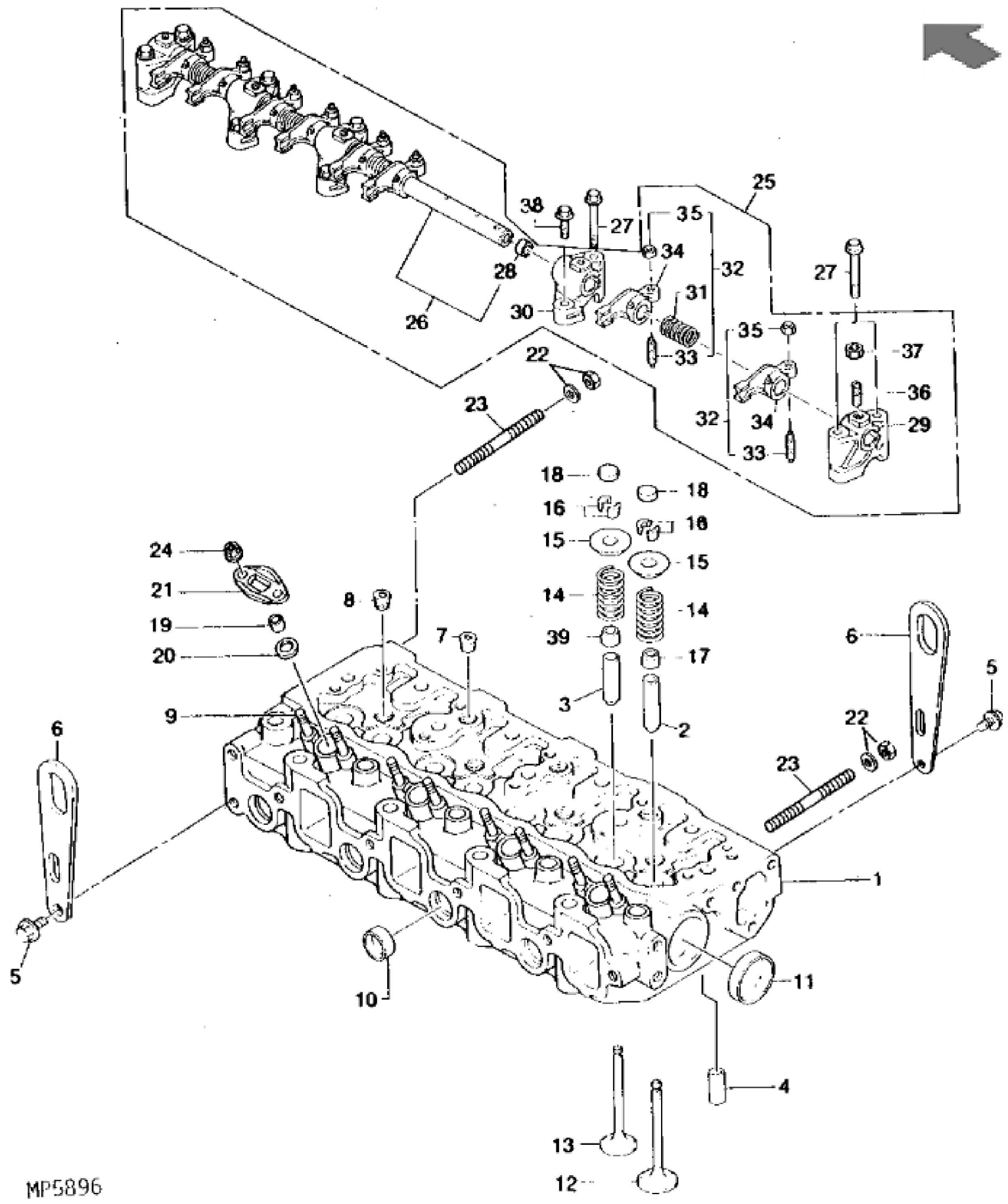
For more complete manuals. Please go to the home page.

<https://www.ebooklibonline.com>

If the above button click is invalid. Please download this document first, and then click the above link to download the complete manual.

Thank you so much for reading

KEY	PART NO.	PART NAME	QTY	REMARKS
1	AM875376	RESERVOIR	1	(LIQUID PACKING REQUIRED BETWEEN OIL PAN HALVES AND TOP OF M801207.)
2	M800994	DRAIN PLUG	1	
3	CH13526	PACKING	1	(SUB FOR CH14582, THIS APPLICATION)
4	M806424	WASHER	2	(SUB FOR CH10645)
5	M801207	INTERMEDIATE HOUSING	1	(LIQUID PACKING REQUIRED BETWEEN OIL PAN HALVES AND TOP OF M801207.)
6	M801206	PLATE	2	
7	19M7865	SCREW	4	M8 X 16
8	19M7867	SCREW	2	M8 X 25
9	CH19101	BOLT	20	
10	19M7800	SCREW	4	M8 X 50
11	M811792	GASKET	1	(SUB FOR M800999 OR M805829)
12	M801208	STRAINER	1	
13	CH10555	WASHER	2	
14	CH15501	BOLT	1	
15	AM875396	PIPE	1	
16	19M7897	SCREW	2	M8 X 35
17	M801000	BRACKET	1	
18	M805830	GASKET	1	(SUB FOR M801001)
19	M801209	OIL FILTER	1	
20	AM880983	HYDRAULIC PRESSURE VALVE	1	(SUB FOR AM875306)
21	CH10361	BOLT	1	
22	19M7866	SCREW	3	M8 X 20
23	CH10570	O-RING	1	
24	AM875085	SHIM	1	KIT
25	M89148	NUT	1	
26	CONNECTOR	1	(ORDER AM875396)
27	FITTING	1	(ORDER AM875396)



MP5896

<https://www.ebooklibonline.com>

Hello dear friend!

Thank you very much for reading.

Enter the link into your browser.

The full manual is available for immediate download.

<https://www.ebooklibonline.com>