

KEY	PART NO.	PART NAME	QTY	REMARKS
1	CYLINDER BLOCK	1	(MARKED R504849) (ORDER RE520378)
2	RE63674	VALVE	1	KIT
3	15H623	PIPE PLUG	1	3/8"
4	RE508185	FITTING	AR	1-5/8"-12UN, STEEL
5	U13639	O-RING	1	
6	RE46685	FITTING PLUG	AR	M18 X 1.5
7	51M7043	O-RING	1	15.300 X 2.200 mm
8	R123616	PLUG	AR	1-5/8"-12UN X M18 X 1.5
9	R131182	ORIFICE	4	
10	RE507595	CAMSHAFT	1	(MARKED R504534 OR RE522316)
10	SE501815	CAMSHAFT REMAN	1	(REMAN FOR RE507595)
11	R132518	PLATE	1	
12	19M7867	SCREW	2	M8 X 25, (10.9)
13	R48685	DOWEL PIN	4	
14	R116466	PLUG	1	
15	R119874	BUSHING	1	(ALSO ORDER TY6333)
16	T18891	PLUG	2	OD= 16MM
17	R26650	DOWEL PIN	2	9.525 X 25.400 mm (3/8" X 1")
18	R115299	BUSHING	6	
19	T20168	WASHER	10	13.106 X 21.996 X 2.286 mm (33/64" X 0.866" X 0.090")
20	T23474	CAP SCREW	10	12.700 X 95.250 mm (1/2" X 3-3/4")
21	R97185	O-RING	1	15.469 X 3.531 mm (39/64" X 0.139")
22	R115390	BUSHING	1	16.260 X 21.612 X 36 mm (0.640" X 0.851" X 1.417"), (USE WITH R75892)
23	R75892	O-RING	1	14.884 X 4.064 mm (0.586" X 0.160"), (USE WITH R115390)
24	RE42713	PIPE PLUG	4	1/8"-27NPT, (SUB FOR R104592)
25	15H584	PIPE PLUG	AR	1/2"
26	RE507807	PIPE PLUG	AR	1/4"-18NPT, THREADS WITH PRE-APPLIED SEALANT
27	AT13740	DRAIN VALVE	AR	1/4"-18NPT
28	RE505501	BLEED VALVE	1	

<https://www.ebooklibonline.com>

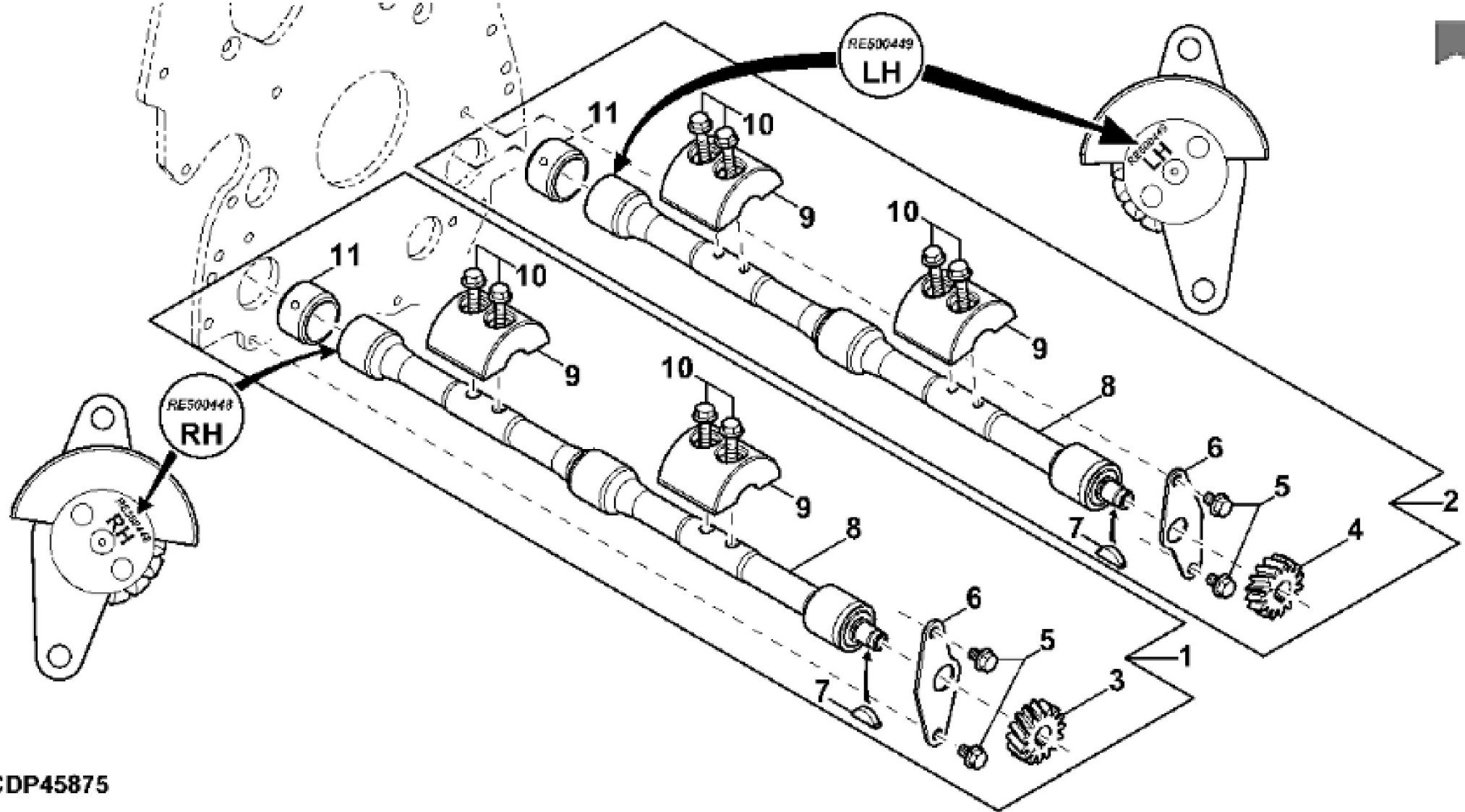
Hello dear friend!

Thank you very much for reading.

Enter the link into your browser.

The full manual is available for immediate download.

<https://www.ebooklibonline.com>



John Deere > Turf And Utility > TELESCOPIC HANDLER > 3220 - TELESCOPIC HANDLER > 3215, 3220, 3415, 3420 Telescopic Handler (S.N. -206800) Worldwide Edition > 20 ENGINE 3215, 3415, 3220, 3420 (4045HZ275) (800000 -) > ST408374 - BALANCER SHAFT

KEY	PART NO.	PART NAME	QTY	REMARKS
1	RE502447	BALANCER SHAFT	1	RH, KIT
2	RE502446	BALANCER SHAFT	1	LH, KIT
3	R120637	GEAR	1	Z= 15 , RH
4	R120639	GEAR	1	Z= 15 , LH
5	19M7864	SCREW	2	M8 X 12, (10.9)
6	R116078	PLATE	1	
7	R133303	SHAFT KEY	1	
8	BALANCER SHAFT	1	(MARKED RE500448) (ORDER RE502447) RH, NSEP
8	BALANCER SHAFT	1	(MARKED RE500449) (ORDER RE502446) LH, NSEP
9	R500650	WEIGHT	2	
10	19M7798	SCREW	4	M8 X 40, (10.9)
11	R115299	BUSHING	3	



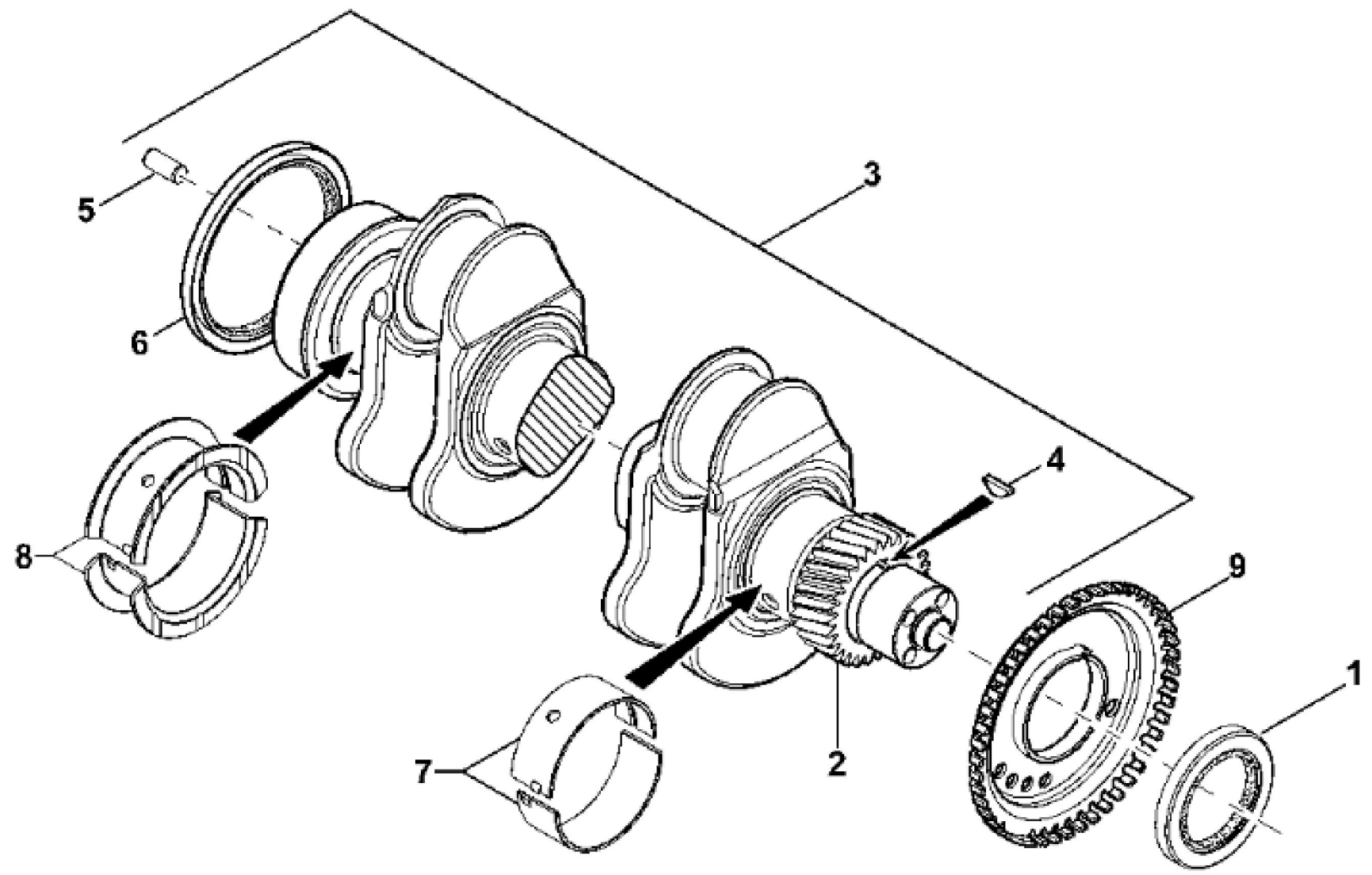
Suggest:

For more complete manuals. Please go to the home page.

<https://www.ebooklibonline.com>

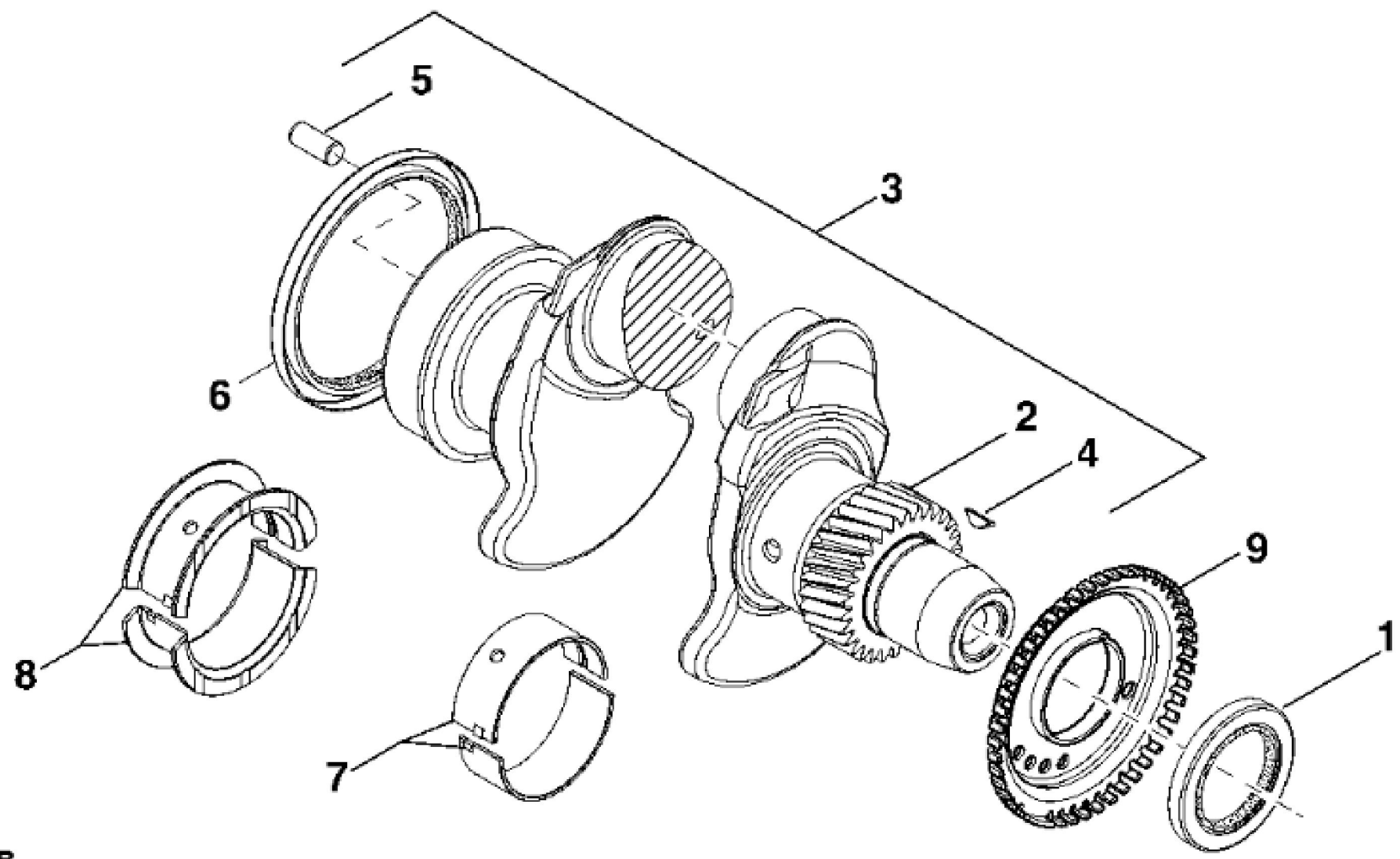
If the above button click is invalid. Please download this document first, and then click the above link to download the complete manual.

Thank you so much for reading



CDP45907A

KEY	PART NO.	PART NAME	QTY	Engine Serial No.	REMARKS
1	RE538097	SEAL	1	____-834526	FRONT (SUB FOR RE516340)
2	R120631	GEAR	1	____-834526	Z = 30
3	RE504638	CRANKSHAFT	1	____-834526	(GRINDING GUIDELINES : SEE CTM104) ASSY, INCL KEYS 2, 4, 5.(ALSO ORDER RE538097 AND RE44574)
3	SE501654	CRANKSHAFT REMAN	1		(WITH BEARINGS) (REMAN FOR RE504638)
4	R505609	SHAFT KEY	1	____-834526	LGTH= 18.5MM
5	R48685	DOWEL PIN	1	____-834526	
6	RE44574	SEAL	1	____-834526	REAR
7	RE65165	BEARING KIT	4	____-834526	STD (KIT R123561 AND R123562)
7	RE65911	BEARING	AR	____-834526	(GRINDING GUIDELINES : SEE CTM104) US -0.254MM, (KIT R130576 AND R130577)
8	RE65168	BEARING KIT	1	____-834526	STD (KIT R123563 AND R123564)
8	RE65912	THRUST BEARING	AR	____-834526	(GRINDING GUIDELINES : SEE CTM104) US -0.254MM, (KIT R130574 AND R130575)
9	R517471	WHEEL	1	____-834526	(SUB FOR R501489)



CD43900B

<https://www.ebooklibonline.com>

Hello dear friend!

Thank you very much for reading.

Enter the link into your browser.

The full manual is available for immediate download.

<https://www.ebooklibonline.com>