

KEY	PART NO.	PART NAME	QTY	Engine Serial No.	3200	3400	REMARKS	
1	.....	CYLINDER BLOCK	1		X	X	(MARKED R115081 OR R504849) (ORDER RE65957)	
2	RE63674	VALVE	1		X	X	KIT	
3	15H623	PIPE PLUG	1		X	X	3/8"	
4	RE508185	FITTING	AR		X	X	1-5/8"-12UN, STEEL (SUB FOR RE502422)	
5	U13639	O-RING	AR		X	X	37.465 X 2.997 mm (1.475" X 0.118"), FOR RE508185	
5	R501377	RING	AR		X	X	FOR RE502422	
6	RE46685	FITTING PLUG	AR		X	X	M18 X 1.5	
7	51M7043	O-RING	1		X	X		
8	R123616	FITTING	AR		X	X	1-5/8"-12UN X M18X1.5	
9	R131182	ORIFICE	4		X	X		
10	RE56375	CAMSHAFT	1		X	X	(MARKED R135439)	
10	SE501624	CAMSHAFT REMAN	1		X	X	(MARKED R135439) (REMAN FOR RE56375)	
11	R132518	PLATE	1		X	X		
12	19M7867	SCREW	2		X	X	M8 X 25	
13	R48685	DOWEL PIN	4		X	X		
14	R116466	PLUG	1		X	X		
15	R119874	BUSHING	1		X	X	(ALSO ORDER TY6333)	
16	T18891	PLUG	2		X	X	OD 16MM	
17	R26650	DOWEL PIN	2		X	X	9.525 X 25.400 mm (3/8" X 1")	
18	R115299	BUSHING	6		X	X		
19	T20168	WASHER	10		X	X		
20	T23474	CAP SCREW	10		X	X		
21	R97185	O-RING	1		X	X		
22	R115390	BUSHING	1		X	X	(FOR R75892)	
23	R75892	O-RING	1		X	X	(FOR R115390)	
24	R104592	PIPE PLUG	4		X	X	1/8"-27NPT	
25	15H584	PIPE PLUG	AR		X	X	1/2"	
26	RE507807	PIPE PLUG	AR		X	X	1/4"-18NPT, THREADS WITH PRE-APPLIED SEALANT (SUB FOR R55233)	
27	AT13740	DRAIN VALVE	1		X	X	1/4"-18NPT	
28	R26493	BUSHING	1	_____-663165	X	X	(USE WITH R83169 AND R131425)	
29	RE505501	BLEED VALVE	1	663166-____	X	X		

**<https://www.ebooklibonline.com>**

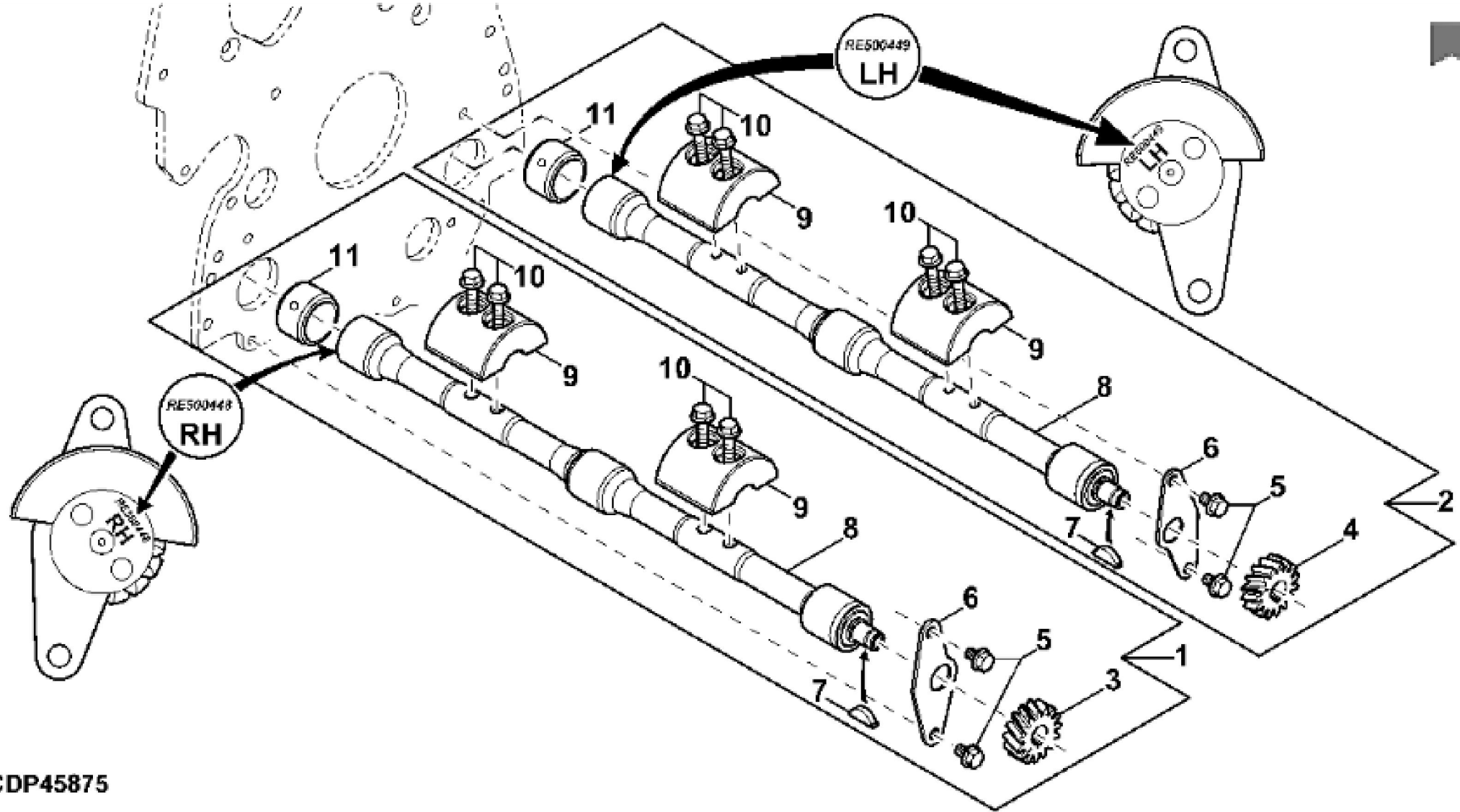
Hello dear friend!

Thank you very much for reading.

Enter the link into your browser.

The full manual is available for immediate download.

**<https://www.ebooklibonline.com>**



CDP45875

KEY	PART NO.	PART NAME	QTY	3200	3400	REMARKS	
1	RE502447	BALANCER SHAFT	1	X	X	RH, KIT	
2	RE502446	BALANCER SHAFT	1	X	X	LH, KIT	
3	R120637	GEAR	1	X	X	Z = 15, RH	
4	R120639	GEAR	1	X	X	Z = 15, LH	
5	19M7864	SCREW	2	X	X	M8 X 12	
6	R116078	PLATE	1	X	X		
7	R133303	SHAFT KEY	1	X	X		
8	..	BALANCER SHAFT	1	X	X	MARKED RE500448; ORDER RE502447, RH	
8	.....	BALANCER SHAFT	1	X	X	MARKED RE500449; ORDER RE502446, LH	
9	R500650	WEIGHT	2	X	X	LGTH = 62.5 mm, USE WITH RE502446 AND RE502447	
10	19M7798	SCREW	4	X	X	M8 X 40	
11	R115299	BUSHING	3	X	X		



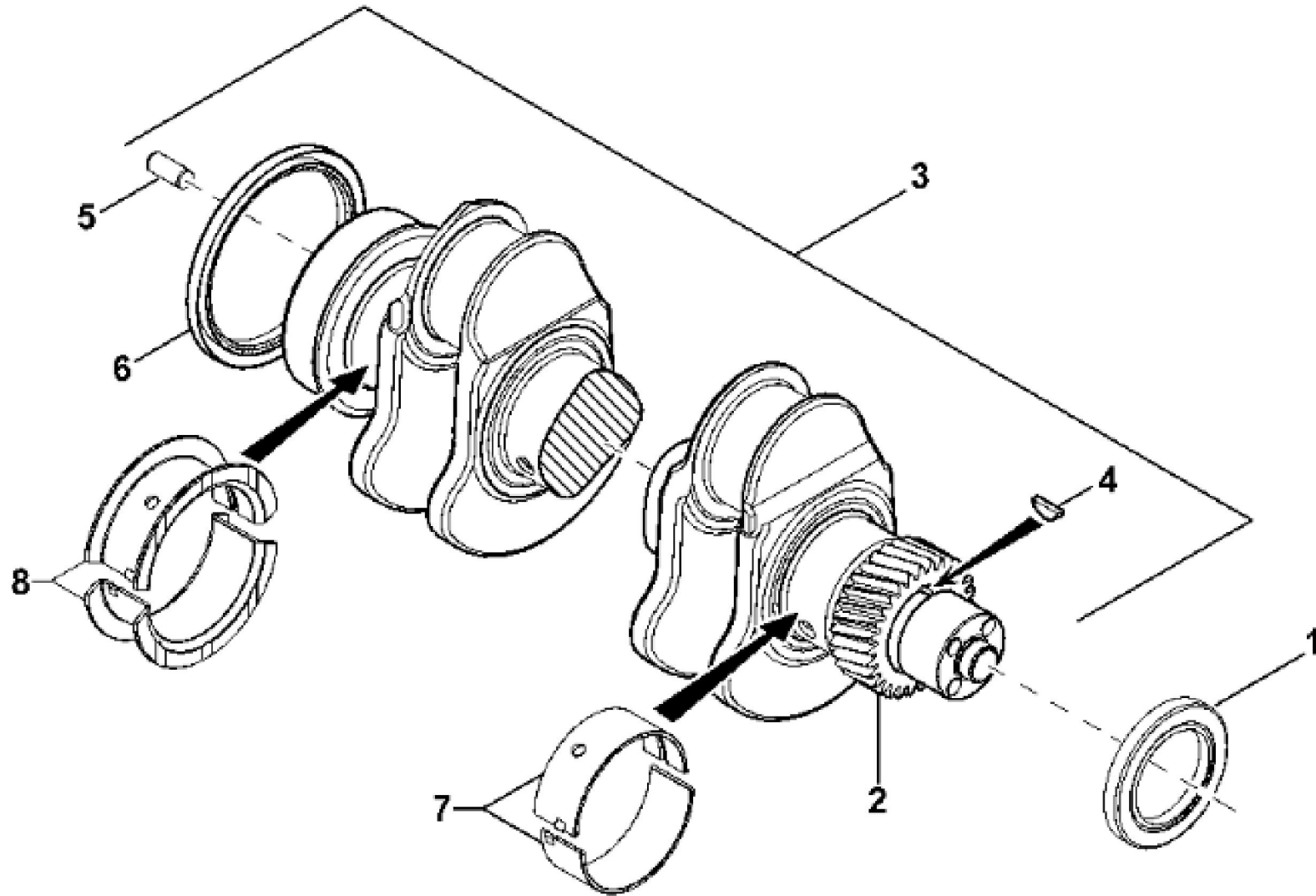
**Suggest:**

**For more complete manuals. Please go to the home page.**

**<https://www.ebooklibonline.com>**

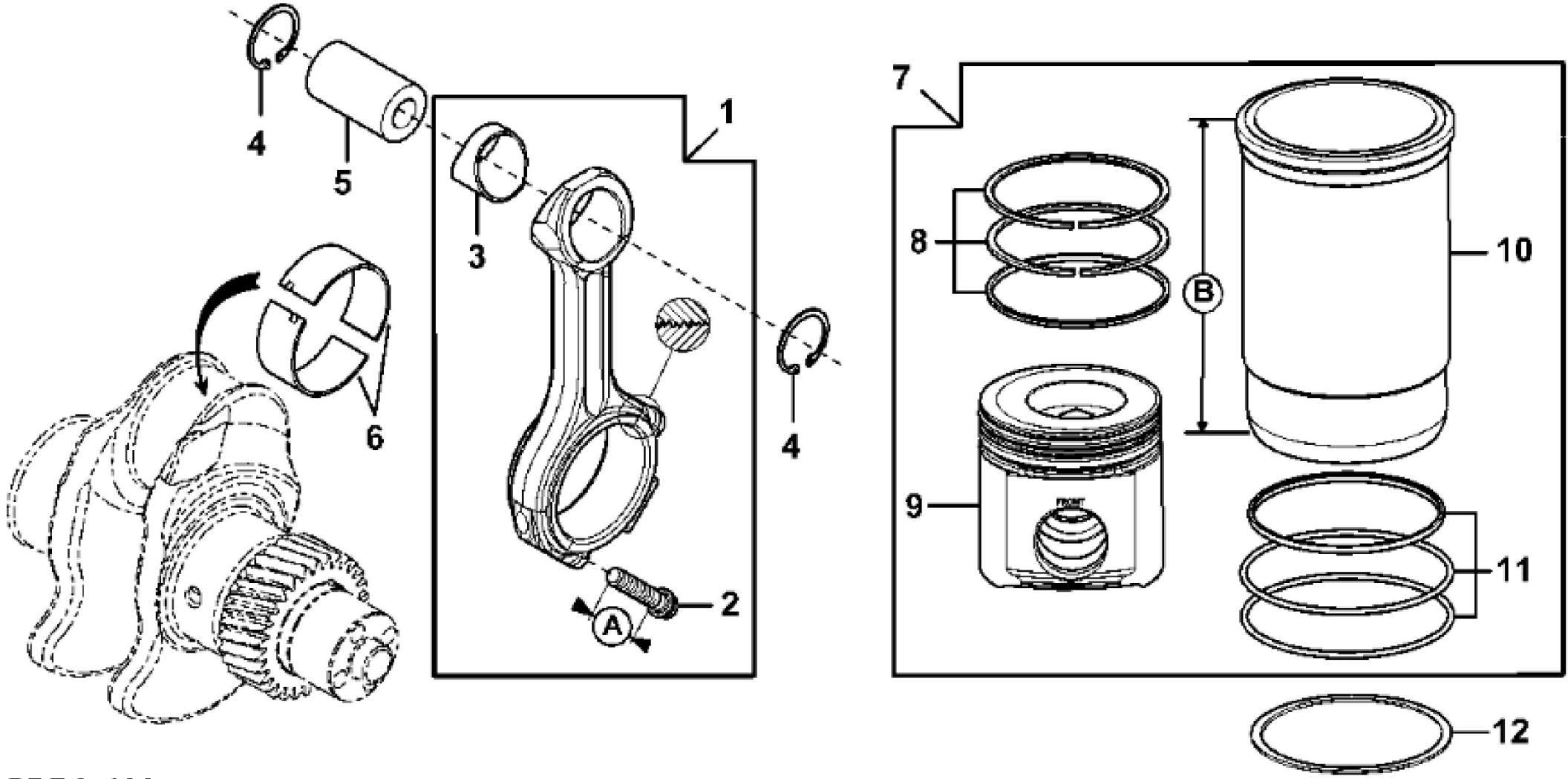
**If the above button click is invalid. Please download this document first, and then click the above link to download the complete manual.**

**Thank you so much for reading**



CDP45915

KEY	PART NO.	PART NAME	QTY	3200	3400	REMARKS
1	RE516340	SEAL KIT	1	X	X	(SUB FOR RE59810) FRONT
2	R120631	GEAR	1	X	X	Z= 30
3	RE50618	CRANKSHAFT	1	X	X	(GRINDING GUIDELINES : SEE CTM104) (MARKED R113596) (ORDER RE504638)
3	RE504638	CRANKSHAFT	1	X	X	(GRINDING GUIDELINES : SEE CTM104) ASSY, INCL KEYS 2, 4, 5 (MARKED R502653) (ALSO ORDER RE516340 AND RE44574) (SUB FOR RE50618)
3	SE501654	CRANKSHAFT REMAN	1	X	X	(With Bearings) (REMAN FOR RE504638)
4	26M4224	SHAFT KEY	1	X	X	4 X 16 mm, (USE WITH RE50618)
4	R505609	SHAFT KEY	1	X	X	(USE WITH RE504638)
5	R48685	DOWEL PIN	1	X	X	
6	RE44574	SEAL	1	X	X	REAR
7	RE65165	BEARING	4	X	X	(KIT R123561 AND R123562) STD
7	RE65911	BEARING	AR	X	X	(GRINDING GUIDELINES : SEE CTM104) ID-0.254MM, (KIT R130576 AND R130577)
8	RE65168	THRUST BEARING	1	X	X	(KIT R123563 AND R123564) STD
8	RE65912	THRUST BEARING	AR	X	X	(GRINDING GUIDELINES : SEE CTM104) ID-0.254MM, (KIT R130574 AND R130575)



**CDP45138**

**<https://www.ebooklibonline.com>**

Hello dear friend!

Thank you very much for reading.

Enter the link into your browser.

The full manual is available for immediate download.

**<https://www.ebooklibonline.com>**