

BEARINGS

KEY	PART NO.	PART NAME	QTY	Engine Serial No.	REMARKS
1	M801186	BOLT	14		
2	M806440	ENGINE CYLINDER HEAD GASKET	1		
3	MIA880914	CYLINDER BLOCK	1		
4	30M7023	PLUG	6		
5	15H562	PIPE PLUG	1		1"
6	MIU800573	BUSHING	1		Camshaft
7	MIU800797	SHAFT	1		Idle Gear
8	19M8317	BOLT	3		
9	M87801	PLUG	2		
10	M800974	PIPE	2		Knock
11	MIA880554	BEARING	4		Main (STD)
11	MIA880550	BEARING	4		MainUnder Sized 0.25 MM
11	AM875371	BEARING KIT	4		
12	BEARING CAP	3		Main Bearing
13	M801189	BOLT	8		
14	BEARING CAP	1		Main Bearing
15	MIA880555	BEARING	2	____-610000	Thrust
15	MIA882809	BEARING KIT	1	610001-____	Thrust
16	CH10335	PLUG	3		
17	CH10314	PLUG	1		
18	M802255	PIN	4		
19	M809565	PLUG	1	610001-____	
20	CH18079	SPRING PIN	2		
21	CH15575	PIN	3		
22	T110725	NOZZLE	3		Cooling
23	T110724	CHECK VALVE	3		INCLUDES (3) T111560 AND(3) M811591
23	T111560	RING	3		
23	M811591	BALL	3		
24	MIA11161	ENGINE	1	____-610000	MARKED 3TNV84T-BXJT2; Not Illustrated
25	MIA880918	SHORT BLOCK ASSEMBLY	1		Not Illustrated
26	MIA13175	DIESEL ENGINE	1	610001-____	MARKED 3TNV84T-BXJT3; SUB FOR MIA13023 AND MIA12241; Not Illustrated

<https://www.ebooklibonline.com>

Hello dear friend!

Thank you very much for reading.

Enter the link into your browser.

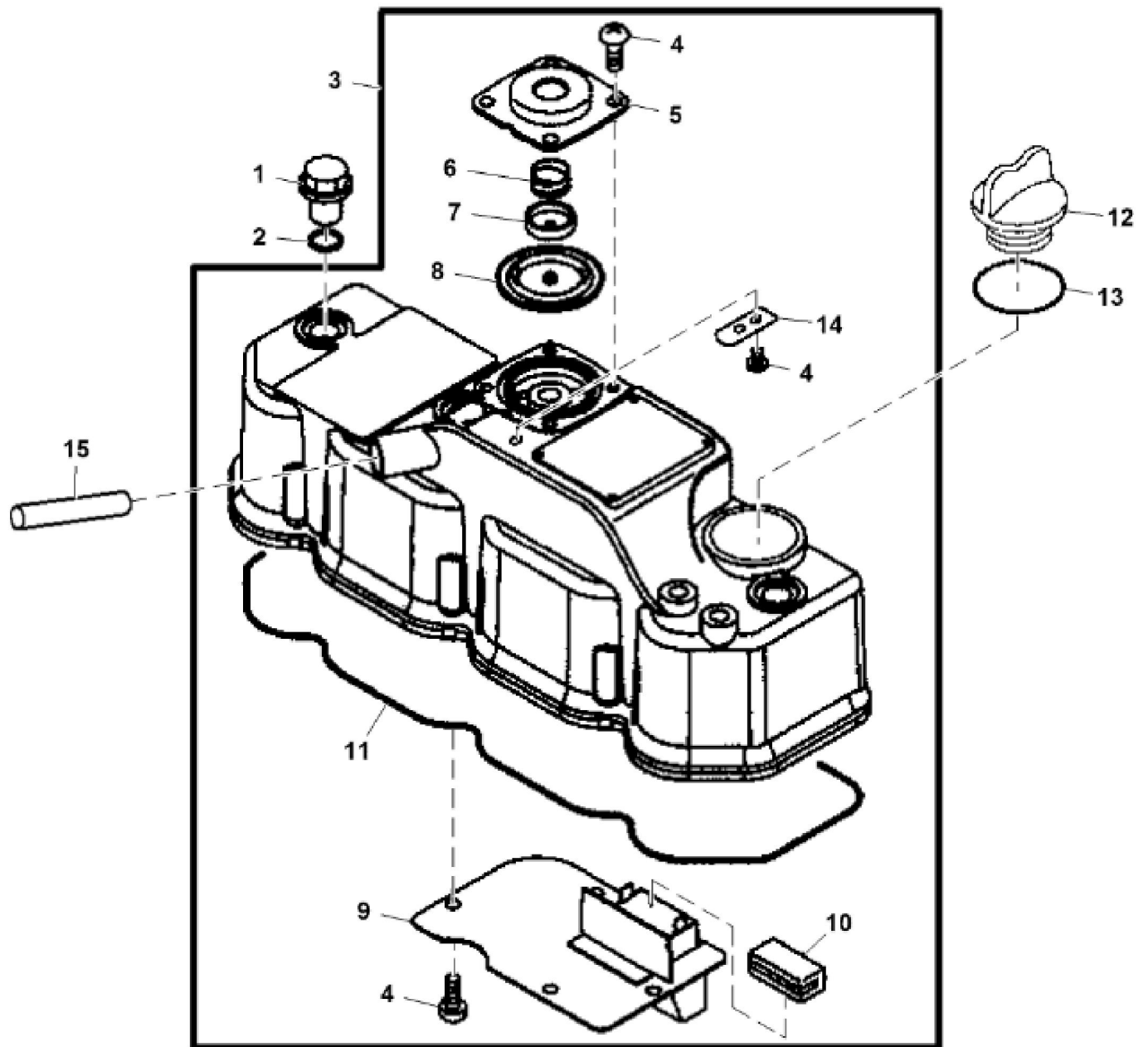
The full manual is available for immediate download.

<https://www.ebooklibonline.com>

ARMS

KEY	PART NO.	PART NAME	QTY	Engine Serial No.	REMARKS	
1	AM882086	KIT	1		ROCKER SHAFT	
2	M810585	STUD	3	610001-____		
3	M801028	NUT	1			
4	M801027	SCREW	1			
5	ROCKER ARM	1			
6	AM881820	ARM	6			
7	M811050	SUPPORT	2		ROCKER ARM	
8	M811051	SUPPORT	2		ROCKER ARM	
9	M801025	SPRING	3			
10	M811426	ROCKER ARM SHAFT	1			
11	M800002	PLUG	2	610001-____		
12	SHAFT	1			
13	CH19086	BOLT	6			
14	M801224	CAP	6			
15	AM878862	RETAINER KIT	6		(2 PER PKG), VALVE RETAINER	
16	M801223	RETAINER	6		SPRING	
17	M801222	SPRING	6		VALVE	
18	CH10450	SEAL	3		INTAKE	
18	T110650	SEAL	3		EXHAUST	
19	M801228	GUIDE	3		EXHAUST	
20	M801227	GUIDE	3		INTAKE	
21	CH16751	PLUG	2			
22	MIU803175	VALVE SEAT	3		INTAKE	
23	M801217	PLUG	3			
24	MIU800446	INTAKE VALVE	3	____-610000		
24	M811557	INTAKE VALVE	3	610001-____		
25	T110649	EXHAUST VALVE	3			
26	T110653	VALVE SEAT	3		EXHAUST	
27	MIA880912	CYLINDER HEAD	1	____-610000		
27	MIA882902	CYLINDER HEAD	1	610001-____		
28	M801017	VALVE SEAT	3	____-610000		
28	MIU802096	GASKET	3	610001-____		
29	M811052	GUARD	3		NOZZLE	

KEY	PART NO.	PART NAME	QTY	Engine Serial No.	REMARKS	
30	M811080	WASHER	3			
31	CH19090	BOLT	3		SUB FOR 19M7897	
32	M811088	RETAINER	3			
33	19M7865	SCREW	4		M8 X 16	
34	AT211695	LIFT ARM	2			
35	CH19085	BOLT	2			
36	CH18079	SPRING PIN	1	610001-_____		





Suggest:

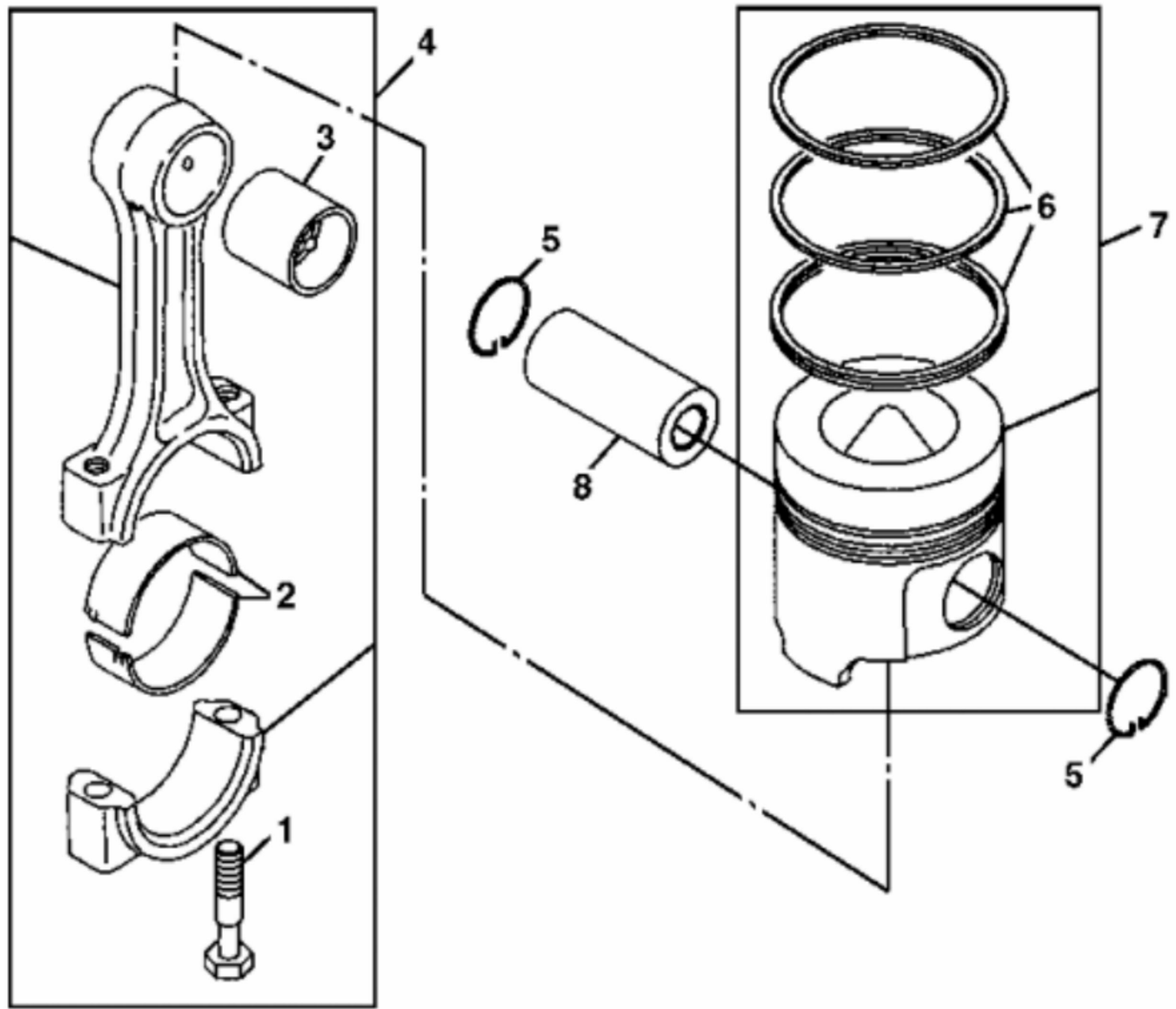
For more complete manuals. Please go to the home page.

<https://www.ebooklibonline.com>

If the above button click is invalid. Please download this document first, and then click the above link to download the complete manual.

Thank you so much for reading

KEY	PART NO.	PART NAME	QTY	REMARKS
1	CH10348	NUT	3	
2	CH10568	PACKING	3	
3	MIA880911	VALVE COVER	1	
4	M807374	SCREW	9	
5	M811649	COVER	1	BREATHER
6	M811650	SPRING	1	
7	M811046	PLATE	1	
8	M811048	DIAPHRAGM	1	
9	M811085	PLATE	1	
10	M801032	DEFLECTOR	1	
11	M811429	GASKET	1	
12	M805710	CAP	1	
13	M805711	PACKING	1	
14	MIU800897	SPRING	1	(Spring, Plate)
15	M801037	HOSE	1	USE WITH MIA13023



MP18666

<https://www.ebooklibonline.com>

Hello dear friend!

Thank you very much for reading.

Enter the link into your browser.

The full manual is available for immediate download.

<https://www.ebooklibonline.com>