

MP33163

KEY	PART NO.	PART NAME	QTY	REMARKS	
1	CH10348	NUT	3		
2	CH10568	PACKING	3		
3	AM881996	VALVE COVER	1		
4	M807374	SCREW	8		
5	M811649	COVER	1	BREATHER	
6	M811650	SPRING	1		
7	M811046	PLATE	1		
8	M811048	DIAPHRAGM	1		
9	M811353	PLATE	1		
10	M801032	DEFLECTOR	1		
11	M811359	GASKET	1		
..	M64850	SEALANT	AR		

**<https://www.ebooklibonline.com>**

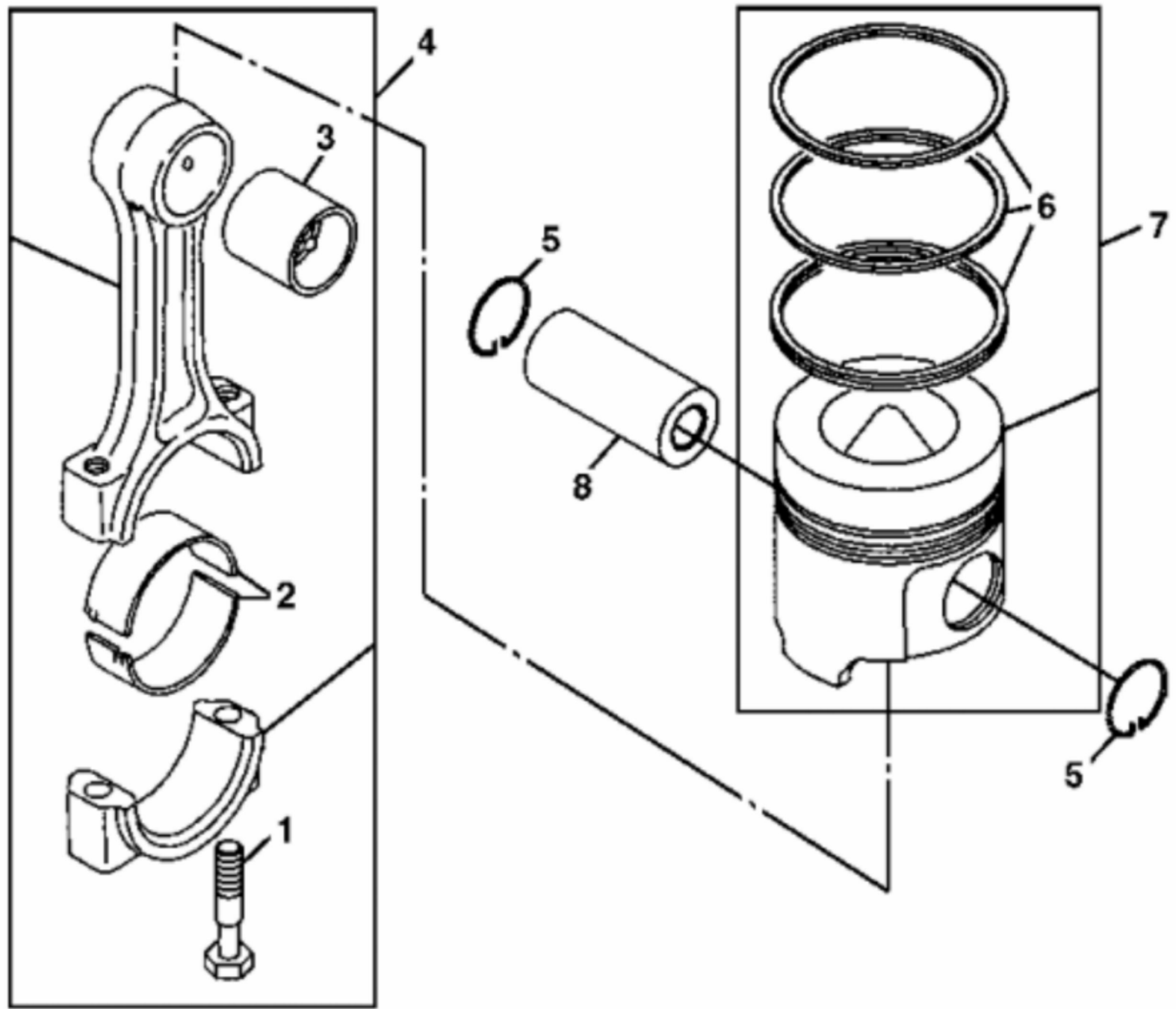
Hello dear friend!

Thank you very much for reading.

Enter the link into your browser.

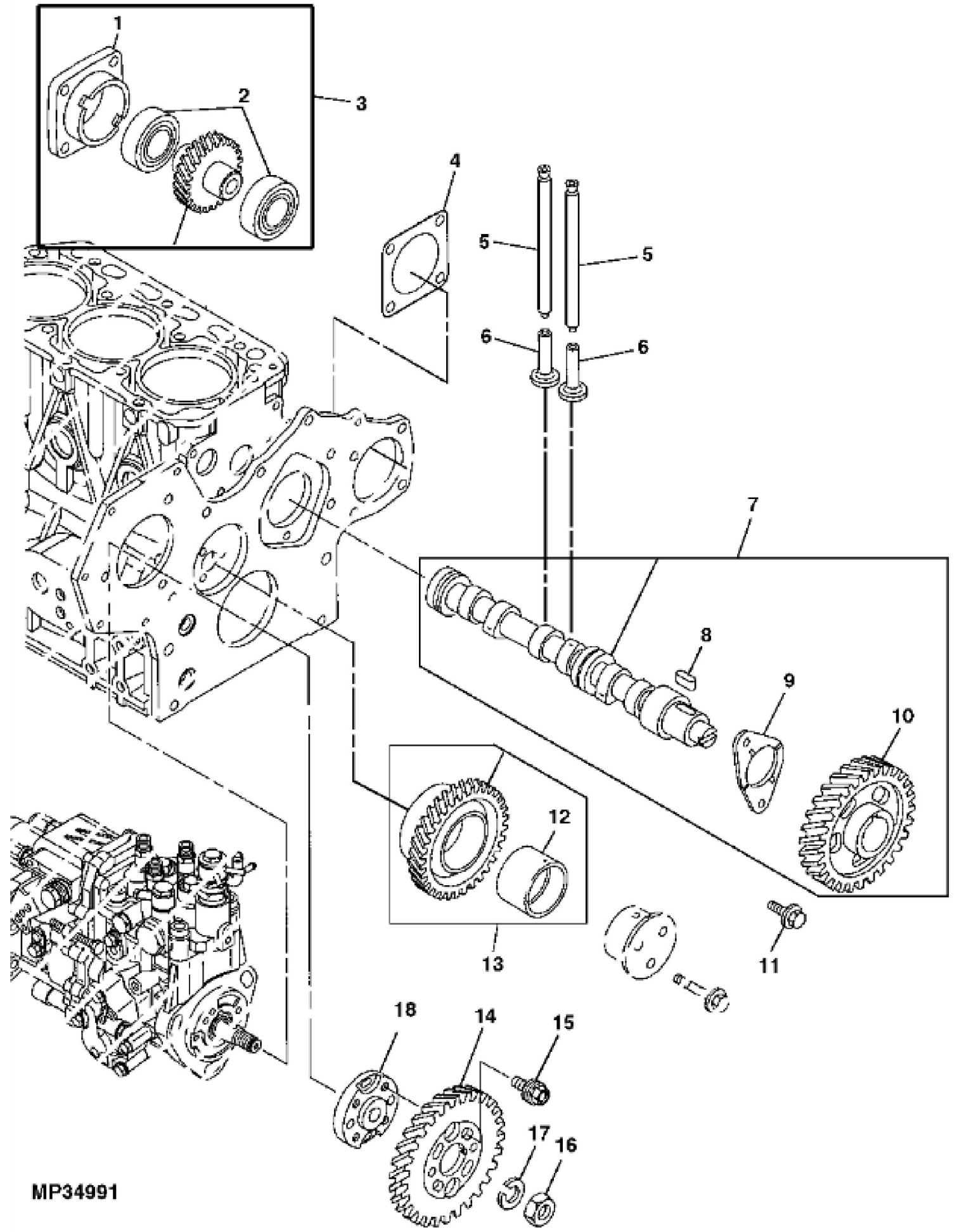
The full manual is available for immediate download.

**<https://www.ebooklibonline.com>**



MP18666

KEY	PART NO.	PART NAME	QTY	REMARKS	
1	M801068	BOLT	2		
2	MIA880562	BEARING	1	STD	
2	MIA880567	BEARING	1	.25 MM (.010"), US	
3	M801075	BEARING	1		
4	AM875320	CONNECTING ROD	3		
5	RG60161	SNAP RING	6		
6	AM881986	PISTON RING KIT	1	STD	
6	.....	PISTON RING KIT	1	.25 MM (.010"), OS	
7	MIA880842	PISTON	3	STD	
7	MIA880843	PISTON	3	.25 MM (.010"), OS	
8	M806430	PISTON PIN	3		



MP34991



**Suggest:**

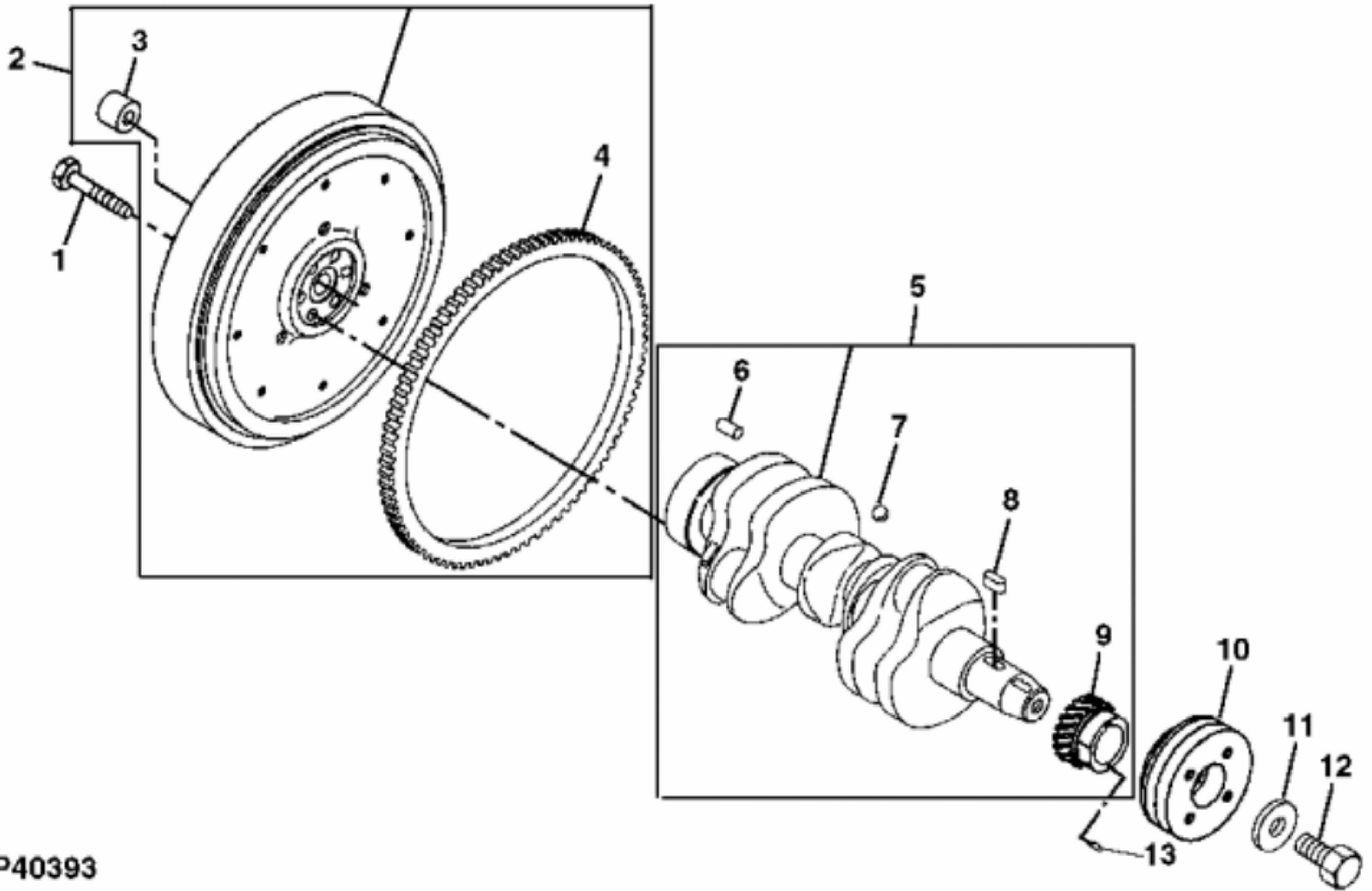
**For more complete manuals. Please go to the home page.**

**<https://www.ebooklibonline.com>**

**If the above button click is invalid. Please download this document first, and then click the above link to download the complete manual.**

**Thank you so much for reading**

KEY	PART NO.	PART NAME	QTY	REMARKS	
1	M802618	BRACKET	1		
2	CH13505	BALL BEARING	2		
3	AM876339	KIT	1	H.O. GEAR PUMP	
4	M805840	GASKET	1		
5	M801047	PUSH ROD	6		
6	M801046	CAM FOLLOWER	6		
7	AM881983	CAMSHAFT	1		
8	M801045	SHAFT KEY	1		
9	.....	THRUST BEARING	1		
10	.....	GEAR	1		
11	CH19780	BOLT	2		
12	MIU800595	BUSHING	1		
13	MIA880571	IDLER GEAR	1		
14	M811057	GEAR	1	PUMP	
15	.....	BOLT	4	(NSEP)	
16	CH17448	NUT	1		
17	12M7068	LOCK WASHER	1	14 mm	
18	.....	FLANGE	1	(NSEP)	



MP40393

**<https://www.ebooklibonline.com>**

Hello dear friend!

Thank you very much for reading.

Enter the link into your browser.

The full manual is available for immediate download.

**<https://www.ebooklibonline.com>**