

MP63578

John Deere > Turf And Utility > MOWER, PROFESSIONAL UTILITY > 2653B - MOWER, PROFESSIONAL UTILITY > 2653B Trim and Surrounds Mower > 20 ENGINE TCA22418 > ST463118 - CYLINDER BLOCK AND MAIN BEARINGS

KEY	PART NO.	PART NAME	QTY	Serial No.	REMARKS
1	CH18079	SPRING PIN	2		(S)
2	M802255	PIN	2		(S)
3	M811807	PLUG	3		(S)
4	M809593	PLUG	1		(S)
5	M811805	PLUG	4		(S)
6	MIU800572	CAMSHAFT	1		(S)
7	M87801	PLUG	1		(S)
8	MIA880551	BEARING	4		(S); SUB FOR MIA880033
8	AM882418	BEARING	AR		
9	BEARING CAP	1		(S)
10	BEARING CAP	3		(S)
11	M87879	BOLT	8		(S)
12	MIA880557	BEARING KIT	AR		(S)
12	AM882419	THRUST BEARING	2		USE WITH MIA882683
13	CH10335	PLUG	1		(S)
14	CH10314	PLUG	1		(S)
15	M800006	DOWEL PIN	2		(S)
16	M811882	SHAFT	1		(S)
17	M87871	BOLT	3		(S)
18	MIA880295	CYLINDER BLOCK	1	____-080000	(S)
18	MIA883292	CYLINDER BLOCK	1	080001-____	
19	MIU800287	BOLT	14	____-080000	
19	M800970	BOLT	1	080001-____	
20	MIU800288	GASKET	1		ORDER MIU802005
20	MIU802005	GASKET	1		
21	MIA880303	SHORT BLOCK ASSEMBLY	1		Not Illustrated ORDER MIA882683; INCLUDES PARTS MARKED (S)
21	MIA882683	SHORT BLOCK ASSEMBLY	1		Not Illustrated
21	MIA884537	SHORT BLOCK ASSEMBLY	1		Not Illustrated

<https://www.ebooklibonline.com>

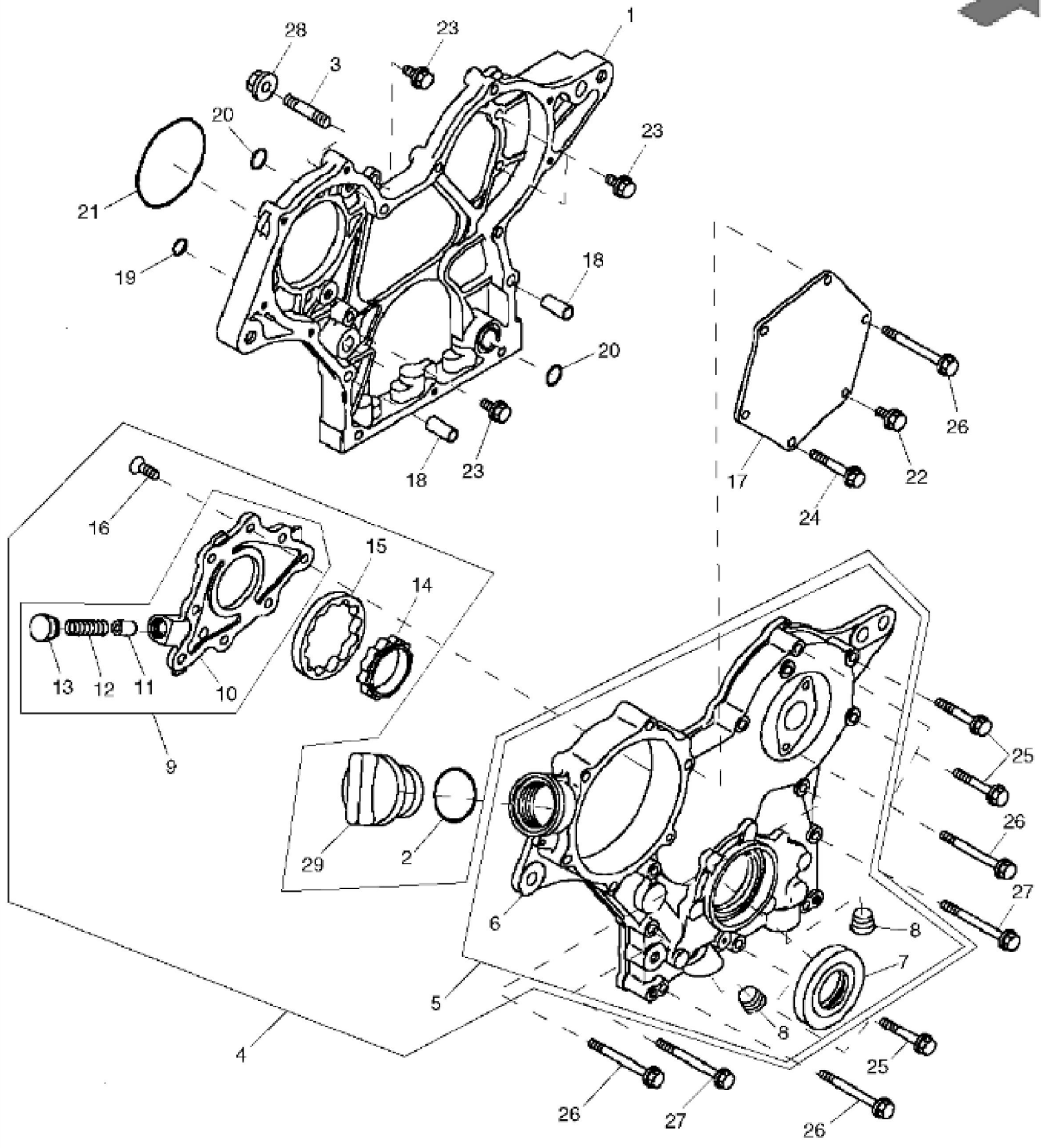
Hello dear friend!

Thank you very much for reading.

Enter the link into your browser.

The full manual is available for immediate download.

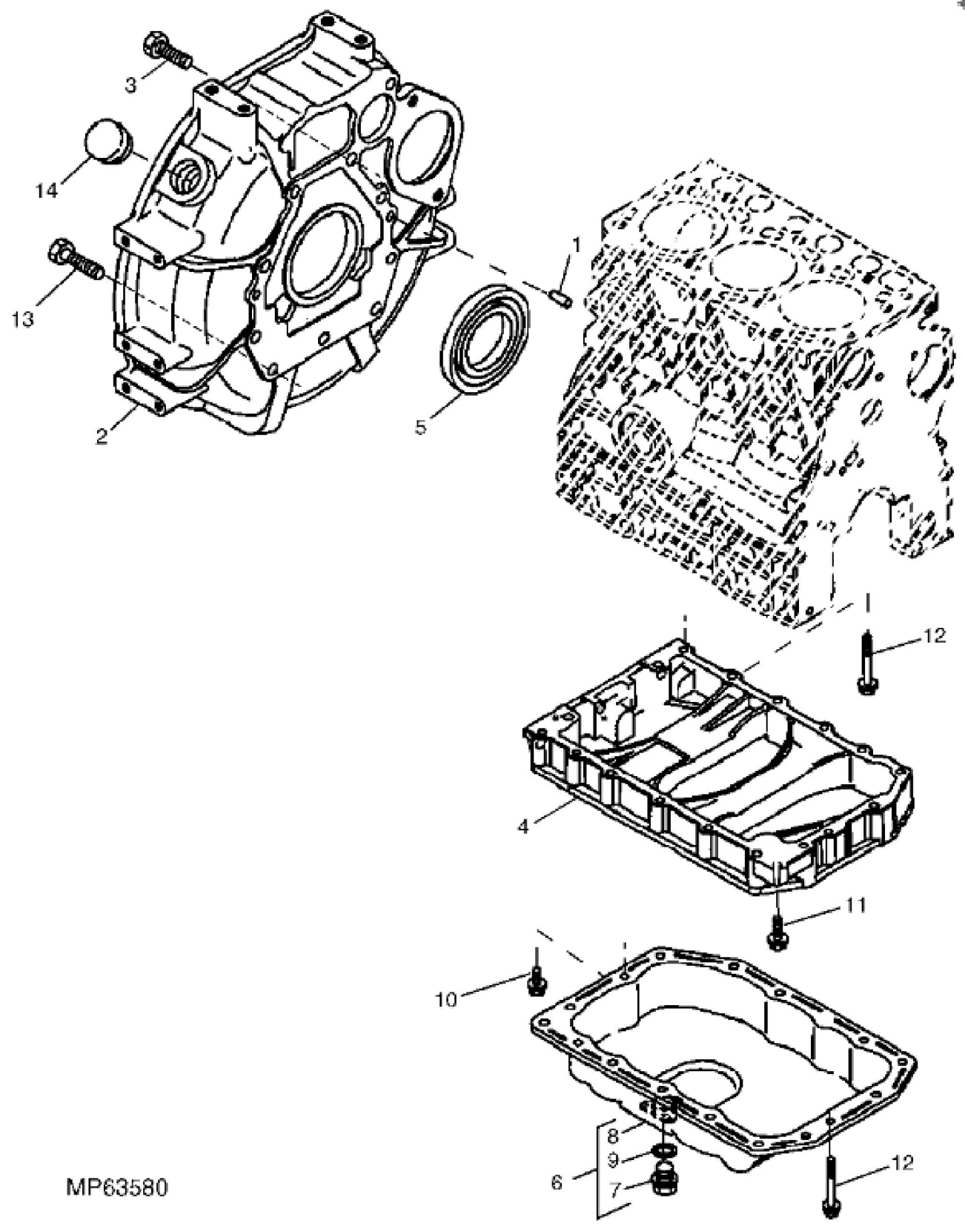
<https://www.ebooklibonline.com>



MP63579

John Deere > Turf And Utility >MOWER, PROFESSIONAL UTILITY >2653B - MOWER, PROFESSIONAL UTILITY >2653B Trim and Surrounds Mower >20 ENGINE TCA22418 >ST463119 - GEAR CASE AND OIL PUMP

KEY	PART NO.	PART NAME	QTY	REMARKS
1	M811816	GEAR CASE	1	
2	M805711	PACKING	1	
3	M811820	STUD	3	
4	AM882445	COVER	1	
5	AM882469	COVER	1	
6	COVER	1	
7	M811563	SEAL	1	
8	M806938	PLUG	2	
9	AM882435	COVER	1	
10	COVER	1	
11	M811140	PRESSURE RELIEF VALVE	1	
12	SPRING	1	
13	PLUG	1	
14	M811888	ROTOR	1	
15	M811889	ROTOR	1	
16	M811061	SCREW	8	
17	M811823	COVER	1	
18	M800006	DOWEL PIN	4	
19	M809204	O-RING	1	
20	M811885	O-RING	3	
21	CH16940	O-RING	1	
22	19M7774	SCREW	1	M6 X 12, SUB FOR M87819
23	M87868	BOLT	4	
24	19M7797	SCREW	3	M6 X 40, SUB FOR M800008
25	19M7797	SCREW	3	M6 X 40, SUB FOR M800008
26	M89120	BOLT	7	
27	M800065	BOLT	2	
28	M810186	NUT	3	
29	M805710	CAP	1	



MP63580



Suggest:

For more complete manuals. Please go to the home page.

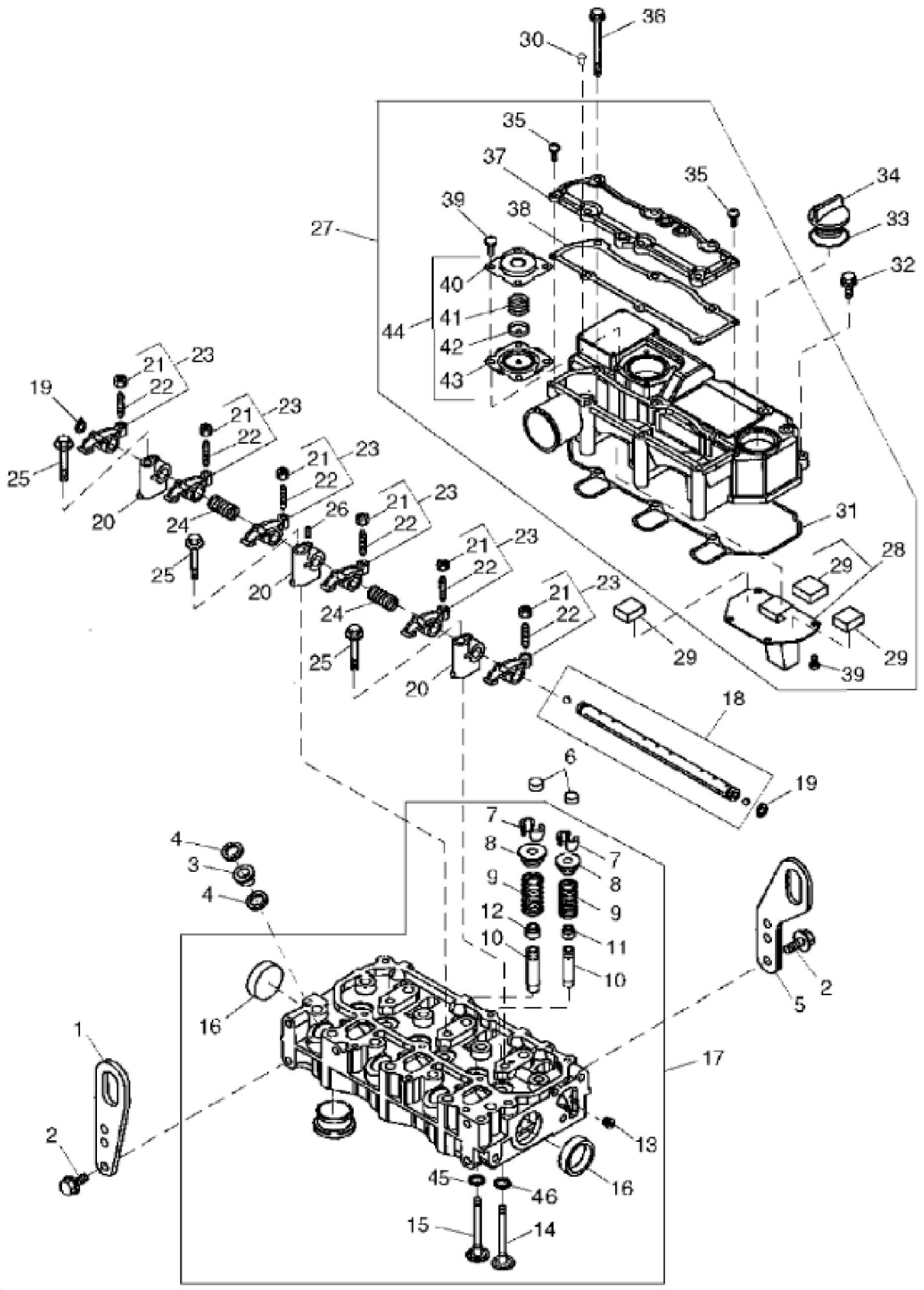
<https://www.ebooklibonline.com>

If the above button click is invalid. Please download this document first, and then click the above link to download the complete manual.

Thank you so much for reading

HOUSING AND OIL PAN

KEY	PART NO.	PART NAME	QTY	REMARKS	
1	M802255	PIN	2		
2	MIU800607	HOUSING	1		
3	M800077	BOLT	7		
4	MIU800290	SPACER	1		
5	M801941	SEAL	1		
6	MIA880523	OIL PAN	1		
7	T111565	PLUG	1		
8	OIL PAN	1		
9	M811568	WASHER	1		
10	19M7774	SCREW	1	M6 X 12, SUB FOR M87819	
11	M87869	BOLT	1		
12	M87878	BOLT	17		
13	CH13938	BOLT	3		
13	19M7662	CAP SCREW	3	M10 X 30	
14	M88659	PLUG	1		



<https://www.ebooklibonline.com>

Hello dear friend!

Thank you very much for reading.

Enter the link into your browser.

The full manual is available for immediate download.

<https://www.ebooklibonline.com>