

MP62844

CYLINDER BLOCK AND MAIN BEARINGS

| KEY | PART NO. | PART NAME | QTY | REMARKS |
|-----|-----------|----------------------|-----|---|
| 1 | CH18079 | SPRING PIN | 2 | (S), (SUB FOR M800003) |
| 2 | M802255 | PIN | 2 | (S), (SUB FOR M806557) |
| 2 | M802254 | PIN | 2 | (S) |
| 2 | M800007 | PLUG | 1 | (S) |
| 3 | 30M7023 | PLUG | 2 | (S), (REPLACES CH10642) |
| 4 | M806843 | PLUG | 1 | (S) |
| 4 | M809592 | PIPE PLUG | 1 | (S), 3TNE68C-EJTM |
| 5 | CH17101 | PLUG | 4 | (S) |
| 6 | M808914 | BUSHING | 1 | (S), (SUB FOR M800013) |
| 7 | M800002 | PLUG | 2 | (S) |
| 8 | AM875059 | BEARING KIT | 4 | (S), MAIN, STD |
| 8 | AM875026 | BEARING KIT | 4 | .25 MM (.010") US, MAIN |
| 9 | | BEARING CAP | 1 | (S), (THRUST & MAIN BEARINGS) |
| 10 | | BEARING CAP | 3 | (S), (MAIN BEARINGS ONLY) |
| 11 | M800012 | BOLT | 8 | (S) |
| 12 | AM875060 | BEARING KIT | 2 | (S), THRUST |
| 13 | CH10314 | PLUG | 2 | (S) |
| 14 | CH15478 | PLUG | 1 | (S) |
| 15 | AM878699 | CYLINDER BLOCK | 1 | (S) |
| .. | AM130502 | SHORT ENGINE | AR | NLA ORDER AM881159; INCLUDES ITEMS MARKED (S) |
| .. | MIA882703 | SHORT BLOCK ASSEMBLY | 1 | SUB FOR AM881159 |

<https://www.ebooklibonline.com>

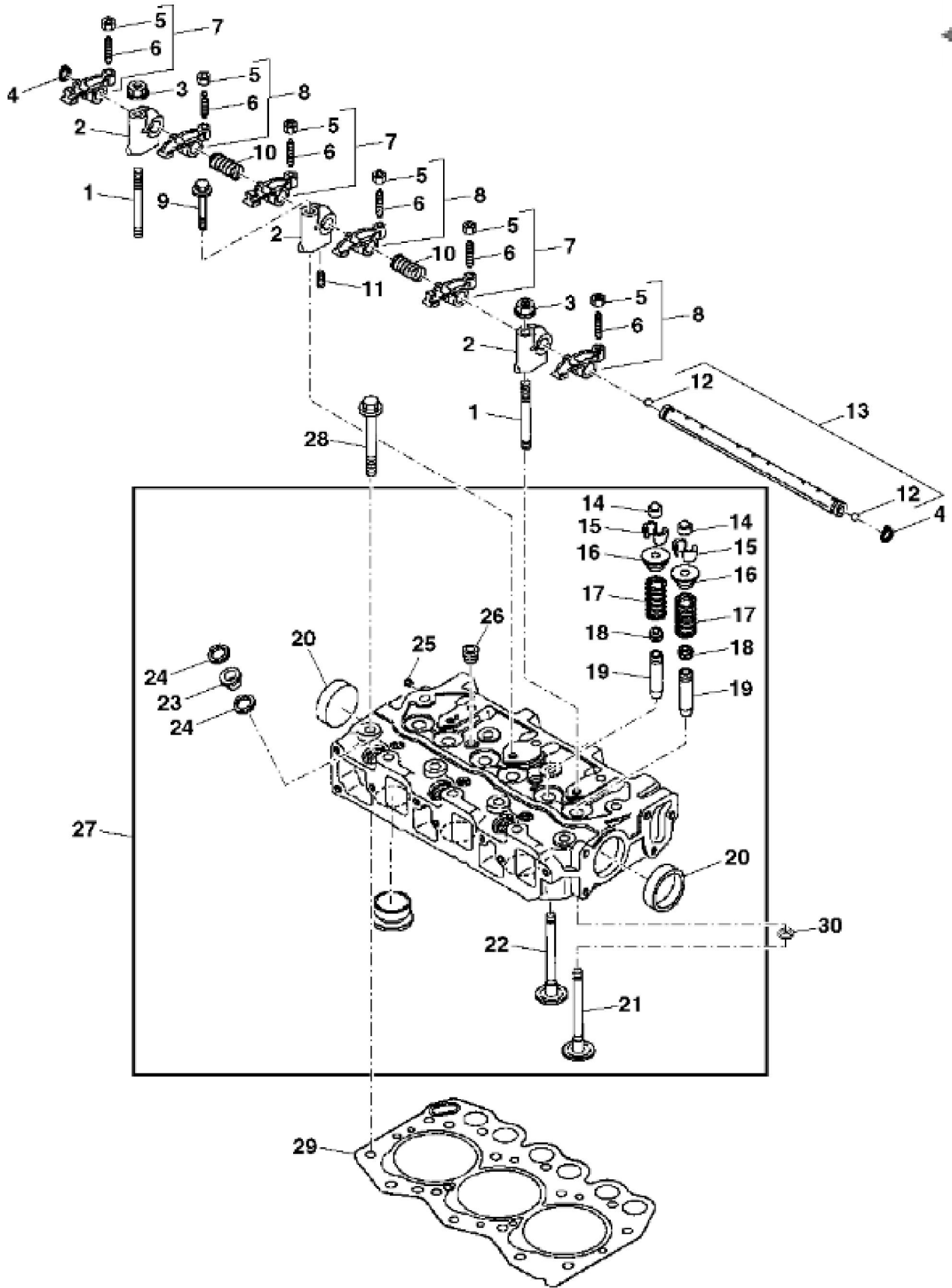
Hello dear friend!

Thank you very much for reading.

Enter the link into your browser.

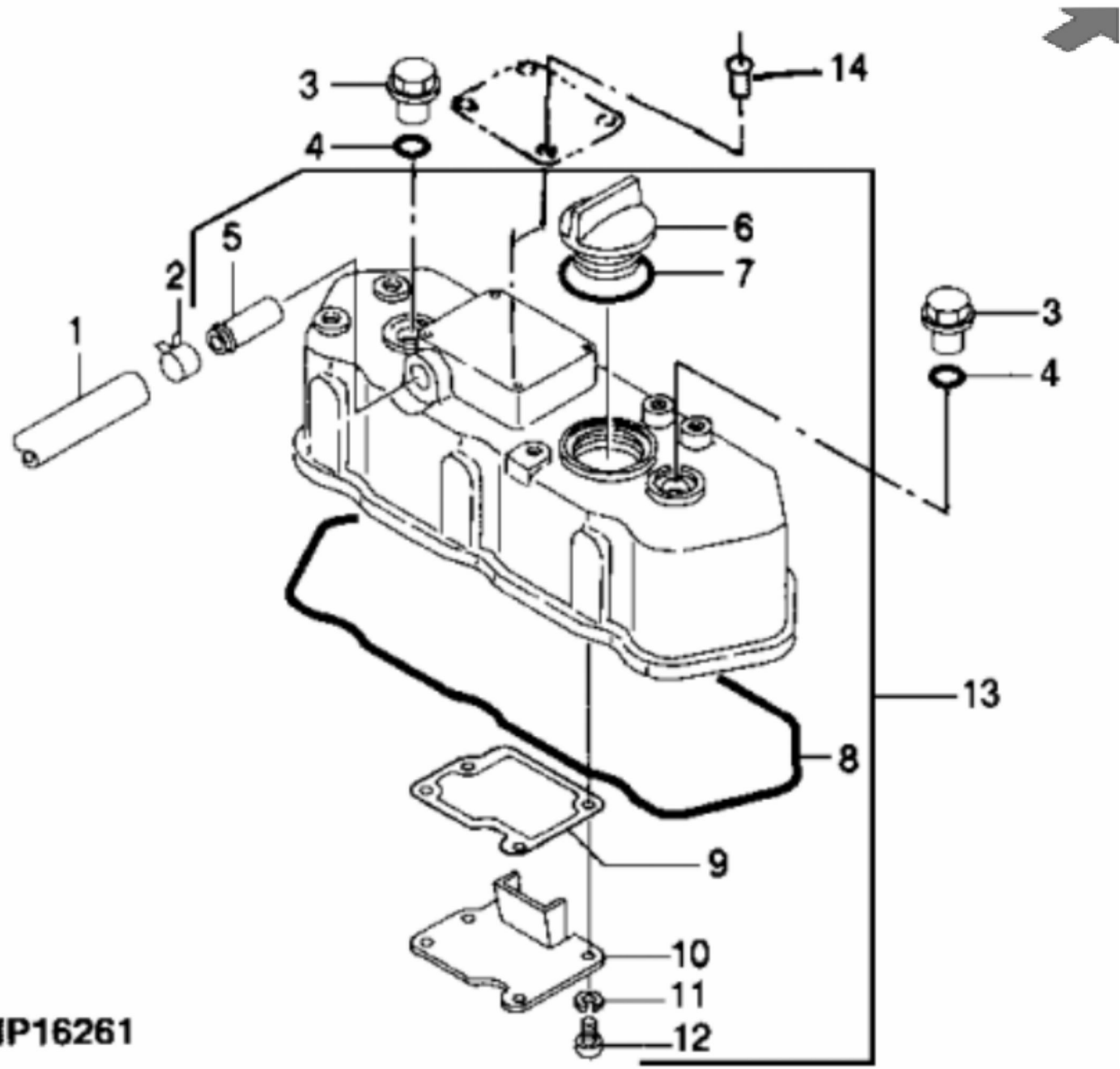
The full manual is available for immediate download.

<https://www.ebooklibonline.com>



John Deere > Turf And Utility > MOWER, PROFESSIONAL UTILITY > 2653A - MOWER, PROFESSIONAL UTILITY > 2653A Diesel Professional Utility Mower > 25 ENGINE (DIESEL) TCA16405 > ST576726 - CYLINDER HEAD, VALVES AND ROCKER ARMS

| KEY | PART NO. | PART NAME | QTY | REMARKS |
|-----|-----------|-----------------------------|-----|-------------------------------------|
| 1 | M87836 | STUD | 2 | |
| 2 | M800024 | SUPPORT | 3 | ROCKER ARM |
| 3 | 14M7298 | FLANGE NUT | 2 | M8 |
| 4 | CH17950 | RING | 2 | |
| 5 | 14M7194 | NUT | 6 | M6 |
| 6 | M87841 | SCREW | 6 | |
| 7 | AM875029 | ROCKER ARM | 3 | EXHAUST |
| 8 | AM875028 | ROCKER ARM | 3 | INTAKE |
| 9 | CH19101 | BOLT | 1 | |
| 10 | M800025 | SPRING | 2 | |
| 11 | M800069 | SELF-LOCKING SCREW | 1 | |
| 12 | L38717 | BALL | 2 | (SUB FOR CH18341 OR R63075) |
| 13 | AM875002 | ROCKER ARM SHAFT | 1 | |
| 14 | M800023 | CAP | 6 | |
| 15 | AM878864 | RETAINER KIT | 6 | VALVE RETAINER (INCLUDES (2) SIDES) |
| 16 | M800020 | HOLDER | 6 | |
| 17 | M800019 | SPRING | 6 | VALVE |
| 18 | M800022 | SEAL | 6 | NLA; ORDER MIU801996; VALVE STEM |
| 18 | MIU801996 | SEAL | 6 | |
| 19 | M800067 | GUIDE | 6 | VALVE |
| 20 | CH17438 | PLUG | 2 | |
| 21 | M800017 | INTAKE VALVE | 3 | |
| 22 | M800018 | EXHAUST VALVE | 3 | |
| 23 | M89134 | PACKING | 3 | (NOZZLE PROTECTOR) |
| 24 | M89135 | GASKET | 6 | NOZZLE |
| 25 | M87831 | PLUG | 1 | |
| 26 | 15H559 | PIPE PLUG | 2 | 1/4" |
| 27 | AM878678 | CYLINDER HEAD | 1 | |
| 28 | M808915 | BOLT | 14 | (SUB FOR M800003) |
| 29 | M807312 | ENGINE CYLINDER HEAD GASKET | 1 | GLOW PLUG, (SUB FOR M806557) |
| 30 | MIU801242 | VALVE SEAT INSERT | 1 | Intake Valve |



MP16261



Suggest:

For more complete manuals. Please go to the home page.

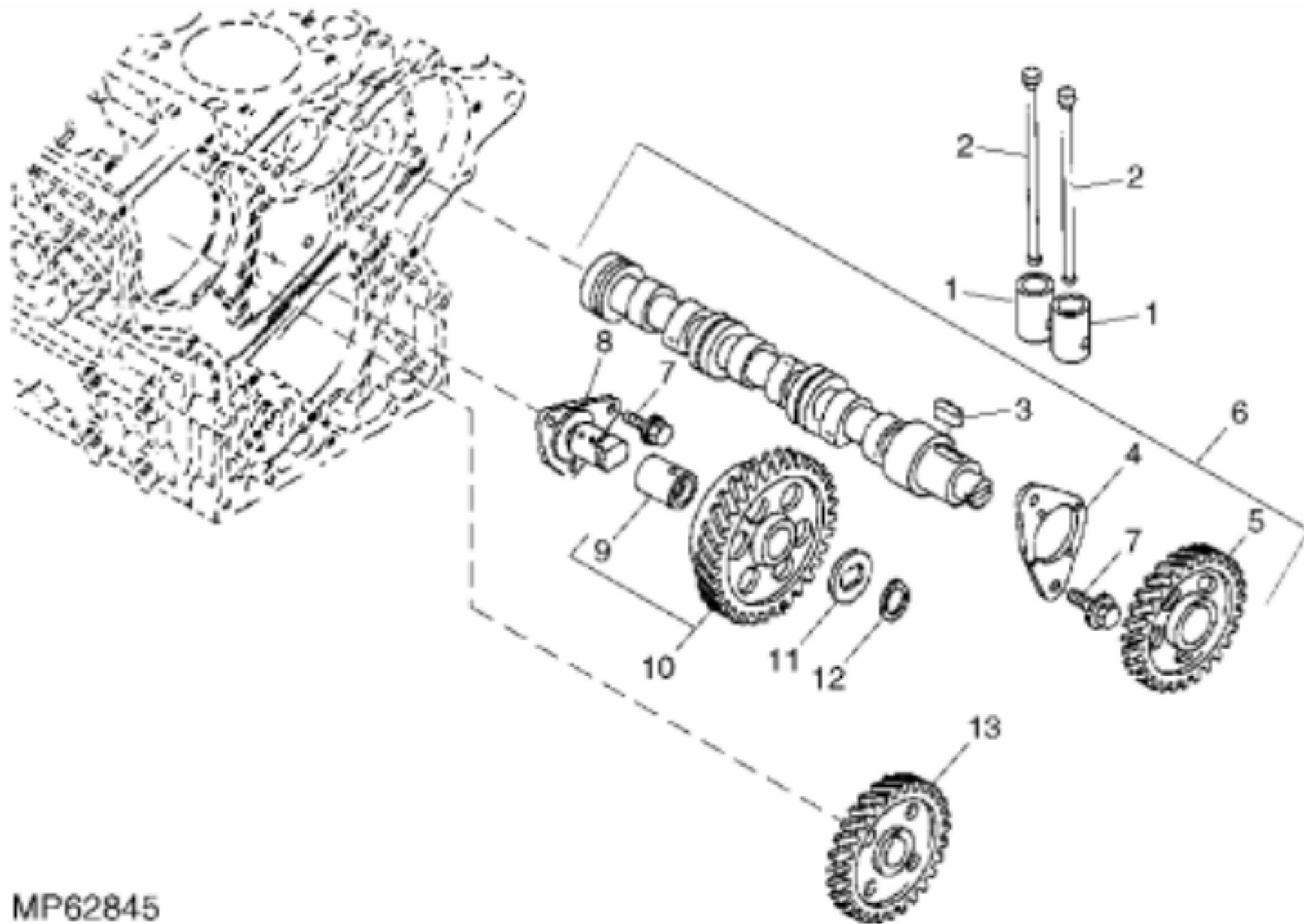
<https://www.ebooklibonline.com>

If the above button click is invalid. Please download this document first, and then click the above link to download the complete manual.

Thank you so much for reading

John Deere > Turf And Utility > MOWER, PROFESSIONAL UTILITY > 2653A - MOWER, PROFESSIONAL UTILITY > 2653A Diesel Professional Utility Mower > 25 ENGINE (DIESEL) TCA16405 > ST576727 - CYLINDER HEAD COVER AND GASKETS

| KEY | PART NO. | PART NAME | QTY | REMARKS |
|-----|----------|-------------|-----|---|
| 1 | M806790 | PIPE | 1 | CRANKCASE BREATHER, (3TNE68-JTM) |
| 2 | M806791 | HOSE CLAMP | 1 | (3TNE68-JTM) |
| 3 | CH10348 | NUT | 2 | |
| 4 | CH10568 | PACKING | 2 | |
| 5 | M87840 | FITTING | 1 | (1), (2) |
| 6 | M805710 | CAP | 1 | (1), (2) |
| 7 | M805711 | PACKING | 1 | (1), (2) |
| 8 | M809218 | GASKET | 1 | (1), (SUB FOR M802059) |
| 9 | M805818 | GASKET | 1 | (1), (2) |
| 10 | M800014 | DEFLECTOR | 1 | (1), (2) |
| 11 | 12M7064 | LOCK WASHER | 4 | 5 mm, (1), (2) |
| 12 | M87839 | SCREW | 4 | (1), (2) |
| 13 | AM875027 | VALVE COVER | 1 | (INCLUDES ITEMS MARKED (1)) |
| 13 | AM882586 | VALVE COVER | 1 | (INCLUDES ITEMS MARKED (2)), (SUB FOR AM875027) |
| 14 | CH10061 | RIVET | 4 | ENGINE LABEL |



MP62845

<https://www.ebooklibonline.com>

Hello dear friend!

Thank you very much for reading.

Enter the link into your browser.

The full manual is available for immediate download.

<https://www.ebooklibonline.com>