

PU00346

KEY	PART NO.	PART NAME	QTY	Serial No.	REMARKS
1	M118835	TUBE	1		
2	M77734	CLAMP	1		
3	M76125	VALVE	1		
4	M76124	PLATE	1		
5	M95848	SCREW	1		
6	M114464	GASKET	1		
7	M97314	COVER	1		
8	19M7865	SCREW	4		M8 X 16
9	MIU11358	GASKET	2		SUB FOR M76072
10	M97313	CASE	1		Rocker
11	M76073	BUSHING	8		
12	19M7863	SCREW	8		M6 X 25
13	MIU11988	BOLT	10		SUB FOR M118772
14	M131853	BOLT	4		6 X 18 MM
15	M97309	ENGINE CYLINDER HEAD GASKET	2		
16	M70227	PIN	6		
17	M139489	CYLINDER HEAD	1		(USE WITH AM128217)
17	M142271	CYLINDER HEAD	1		(USE WITH AM131334)
18	MIU12135	BEARING	1		SUB FOR M97316
19	M138625	PIN	1		
20	M76154	SEAL	2		
21	19M7864	SCREW	2		M8 X 12
22	MIU14495	GASKET	2		SUB FOR M76150
23	M139016	GASKET	1		SUB FOR M117934
24	MIU14322	COVER	1		SUB FOR M132671
25	19M8318	SCREW	6		M8 X 45
26	M94242	BOLT	2		
27	M139488	CYLINDER HEAD	1		(USE WITH AM128217) (SUB FOR M97310)
27	M142268	CYLINDER HEAD	1		(USE WITH AM131334)
28	M76071	CASE	1		ROCKER
29	M127431	ADAPTER FITTING	1		
30	M88987	SEAL	1		
31	M115402	DIPSTICK TUBE	1	____-036244	
31	M121998	DIPSTICK TUBE	1	036245-____	

<https://www.ebooklibonline.com>

Hello dear friend!

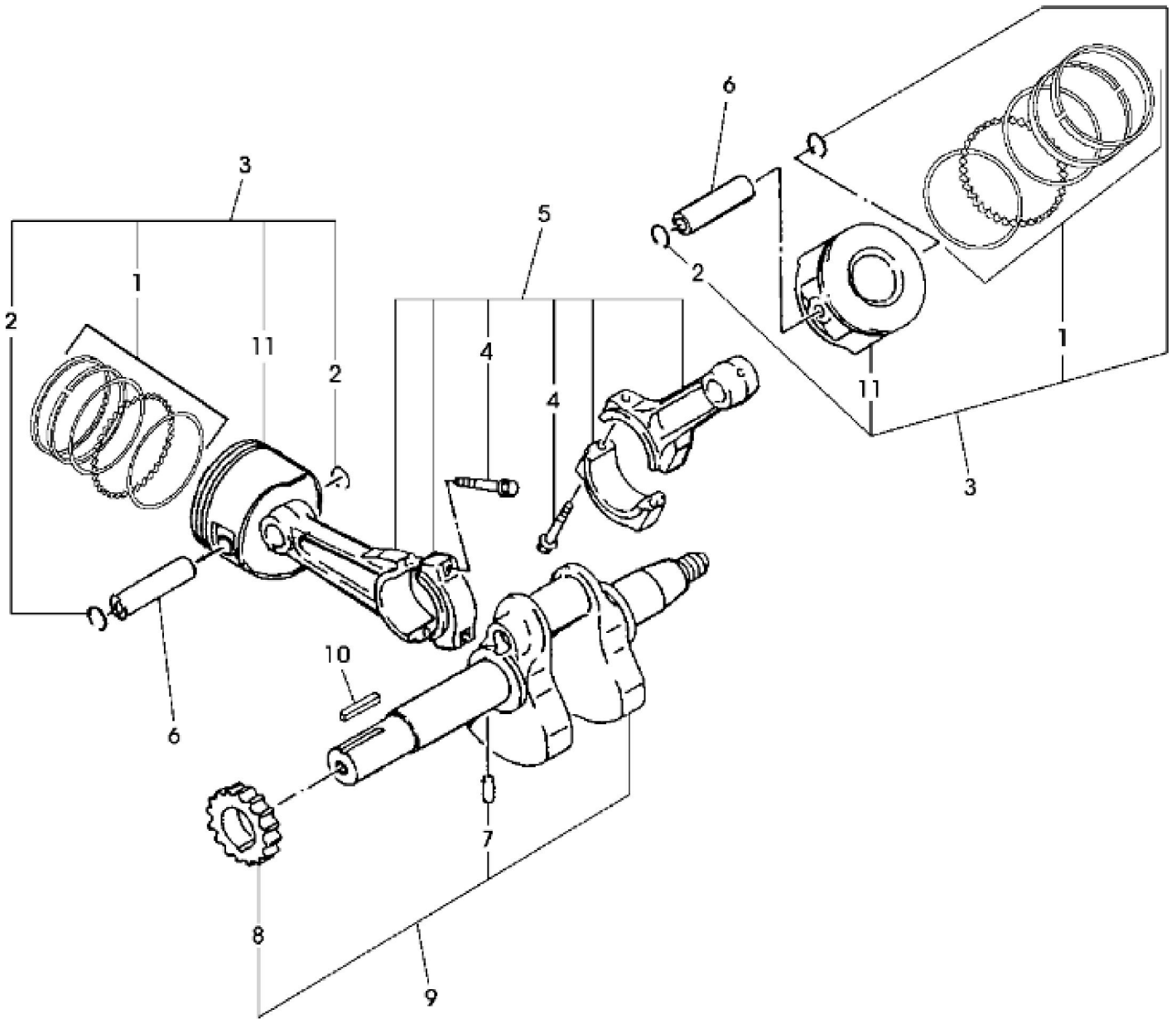
Thank you very much for reading.

Enter the link into your browser.

The full manual is available for immediate download.

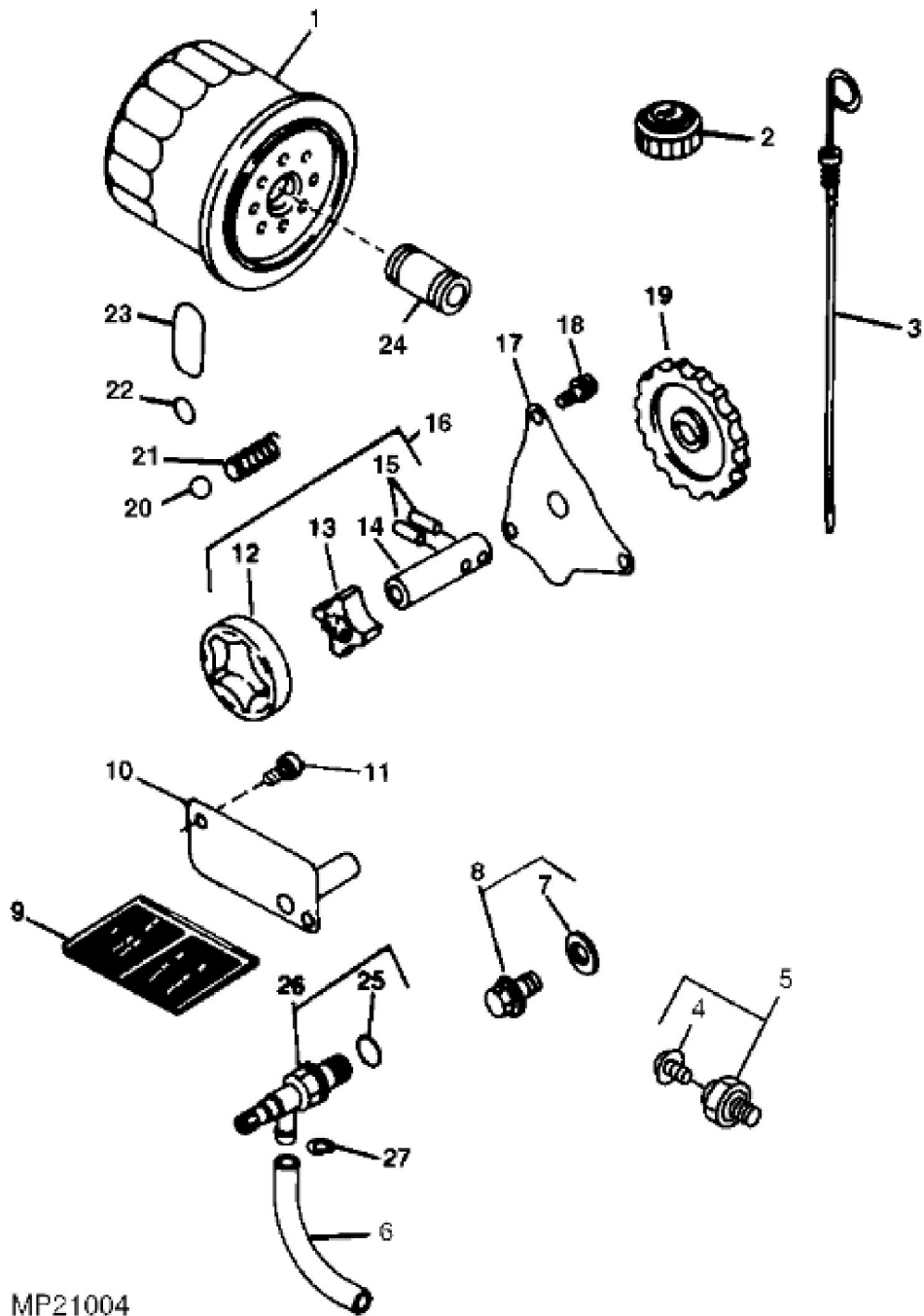
<https://www.ebooklibonline.com>

KEY	PART NO.	PART NAME	QTY	Serial No.	REMARKS
32	M117034	O-RING	1		(DIPSTICK TUBE)
33	MIA12865	CRANKCASE	1		SUB FOR AM126299
34	51M7042	O-RING	1		13.300 X 2.200 mm
35	AM115362	DRAIN VALVE	1		
..	AM126753	SHORT BLOCK ASSEMBLY	1		(FD620D-AS06, BS06, CS06) (SUB FOR AM117918 OR AM118226) (ORDER AM128211)
..	AM128211	SHORT BLOCK ASSEMBLY	1		(FD620D-DS06, ES06) (SUB FOR AM131344, AM117781, AM122323, AM126454, AM128217)
..	AM117781	GASOLINE ENGINE	1		(FD620D-AS06) (CAMSHAFT W / PLASTIC GEAR) (SUB AM128211)
..	AM122323	GASOLINE ENGINE	1		(FD620D-BS06) (CAMSHAFT W / PLASTIC GEAR) (SUB AM128211)
..	AM126544	GASOLINE ENGINE	1		(FD620D-CS06) (CAMSHAFT W / STEEL GEAR) (SUB AM128211)
..	AM128217	SHORT ENGINE	1		(FD620D-DS06) (CAMSHAFT W / STEEL GEAR) (SUB AM128211)
..	AM131334	GASOLINE ENGINE	1		(FD620D-ES06) (CAMSHAFT W / STEEL GEAR) (SUB AM128211)



PU00480

KEY	PART NO.	PART NAME	QTY	REMARKS
1	M97319	PISTON RING KIT	2	Standard
1	M97328	PISTON RING KIT	AR	0.50 MM OS
2	M76120	SNAP RING	4	
3	AM117846	PISTON RING KIT	2	SUB (2) MIU11458, (4) M76120 AND (2) M97319
3	AM117847	PISTON RING KIT	AR	0.50 MM OS, INCLUDES (2) M117036, (4) M76120 AND (2) M97328
4	M147310	BOLT	4	SUB FOR PT12040
5	AM105565	CONNECTING ROD	2	SUB FOR AM133731
5	AM133732	CONNECTING ROD	AR	0.50 MM OS, SUB FOR AM106252
6	M76119	PIN	2	
7	M76122	DOWEL PIN	1	USE WITH AM109385
8	M76121	SPUR GEAR	1	USE WITH AM109385
8	MIU14323	SPUR GEAR	1	ORDER MIA12866
9	MIA12866	CRANKSHAFT	1	SUB FOR AM109385
10	H64374	SHAFT KEY	1	Cut To Length
11	MIU11458	PISTON	2	USE WITH AM117846
11	M117036	PISTON	2	USE WITH AM117847



MP21004



Suggest:

For more complete manuals. Please go to the home page.

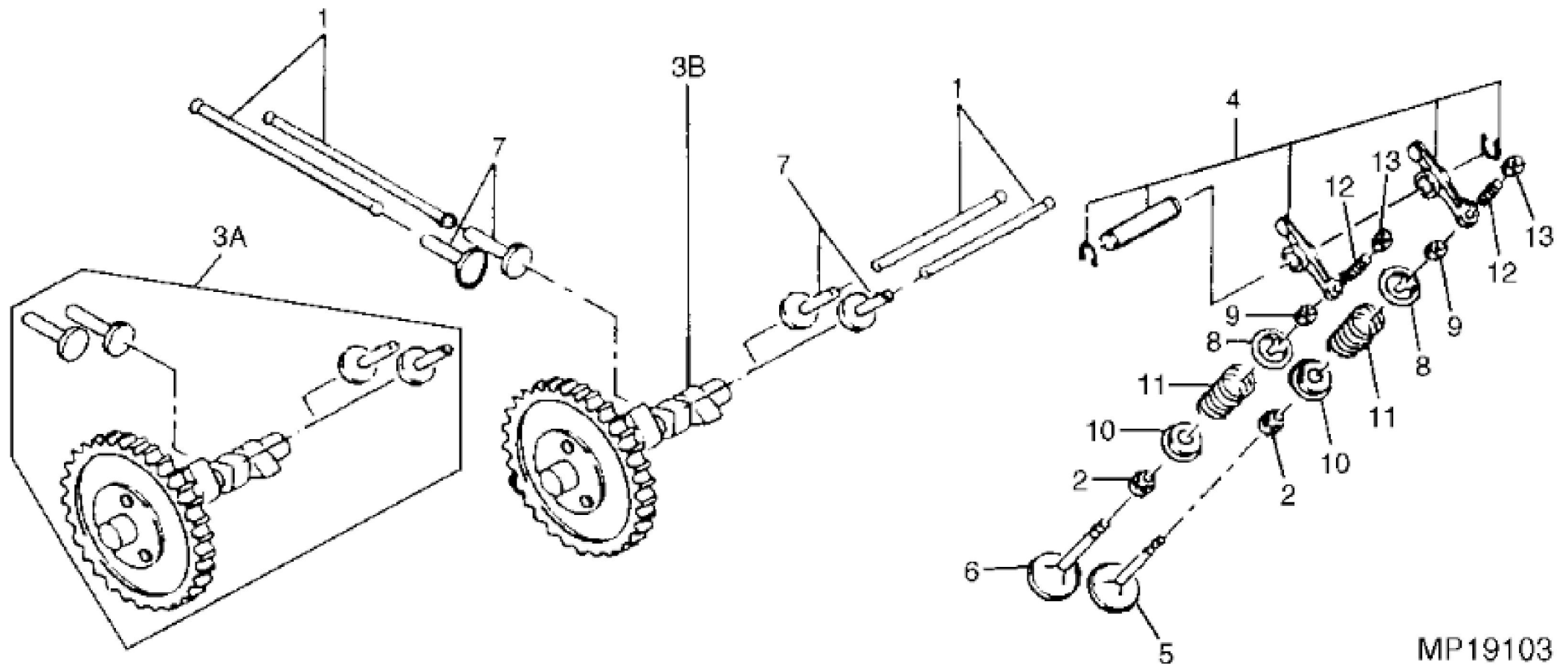
<https://www.ebooklibonline.com>

If the above button click is invalid. Please download this document first, and then click the above link to download the complete manual.

Thank you so much for reading

John Deere > Turf And Utility >MOWER, PROFESSIONAL UTILITY >2653 - MOWER, PROFESSIONAL UTILITY >2653 Professional Utility Mower >20 ENGINE >ST554683 - ENGINE OIL PUMP, FILTER AND DIPSTICK

KEY	PART NO.	PART NAME	QTY	REMARKS
1	AM107423	OIL FILTER	1	
2	M114465	CAP	1	(SUB M147324 AND M147334)
3	M121997	DIPSTICK	1	(SUB FOR M97336 OR M121179)
4	21M7295	SCREW	1	M4 X 6
5	M94629	SWITCH	1	
6	BULK HOSE	1	(PURCHASED LOCALLY)
7	M113678	GASKET	1	PLUG
7	M76158	GASKET	1	
7	M88482	GASKET	1	
7	PT13876	GASKET	1	
7	PT14207	DRAIN PLUG	1	
8	AM109035	ADAPTER KIT	1	(NLA) PLUG
9	M96765	SCREEN	1	
10	M97334	PLATE	1	
11	21M7265	SCREW	2	M5 X 12
12	M76141	ROTOR	1	Outer
13	M76140	ROTOR	1	Inner
14	MIU10853	SHAFT	1	
15	M127265	DOWEL PIN	2	
16	AM109371	ROTOR KIT	1	NLA; Rotor Pump
17	M76101	COVER	1	
18	19M7775	SCREW	3	M6 X 16
19	M76098	GEAR	1	
20	M76105	BALL	1	
21	M76102	SPRING	1	
22	M76104	O-RING	1	
23	M76103	O-RING	1	
24	M127431	ADAPTER FITTING	1	
25	51M7042	O-RING	1	13.300 X 2.200 mm
26	AM115362	DRAIN VALVE	1	
27	M93999	HOSE CLAMP	1	



MP19103

<https://www.ebooklibonline.com>

Hello dear friend!

Thank you very much for reading.

Enter the link into your browser.

The full manual is available for immediate download.

<https://www.ebooklibonline.com>