

John Deere > Turf And Utility >TRACTOR, COMPACT UTILITY >3TNV82A - TRACTOR, COMPACT UTILITY >2520 Compact Utility Tractor >20 ENGINE (MARKED 3TNV82A-MJK, -MJKE) >ST149942 - CYLINDER BLOCK

| KEY | PART NO. | PART NAME | QTY | REMARKS |
|-----|-----------|-----------------------------|-----|----------------------------------|
| 1 | M800970 | BOLT | 14 | |
| 2 | M810048 | ENGINE CYLINDER HEAD GASKET | 1 | |
| 3 | AM881997 | CYLINDER BLOCK | 1 | |
| 4 | CH10335 | PLUG | 3 | |
| 5 | CH10314 | PLUG | 1 | |
| 6 | M802255 | PIN | 4 | |
| 7 | M806840 | PLUG | 1 | |
| 8 | CH18079 | SPRING PIN | 2 | |
| 9 | 30M7023 | PLUG | 6 | |
| 10 | 15H562 | PIPE PLUG | 1 | 1" |
| 11 | M800977 | BUSHING | 1 | CAMSHAFT |
| 12 | M811055 | SHAFT | 1 | IDLER |
| 13 | 19M8317 | BOLT | 3 | |
| 14 | M87801 | PLUG | 2 | |
| 15 | M800974 | PIPE | 2 | |
| 16 | AM875301 | BEARING KIT | 2 | THRUST, STD |
| 16 | AM875594 | BEARING KIT | 2 | .25MM (.010") , US, THRUST |
| 17 | MIA880559 | BEARING | 4 | MAIN, STD (SUB FOR AM882053) |
| 17 | AM875302 | BEARING KIT | 4 | .25MM (.010") , US, MAIN |
| 18 | | BEARING CAP | 3 | |
| 19 | M87879 | BOLT | 8 | |
| 20 | | BEARING CAP | 1 | |
| 21 | M811352 | SPACER | 1 | |
| .. | | ENGINE | 1 | (MARKED 3TNV82A-MJK) |
| .. | | ENGINE | 1 | (MARKED 3TNV82A-MJKE) (EUROPEAN) |
| .. | AM882051 | SHORT BLOCK ASSEMBLY | 1 | |

<https://www.ebooklibonline.com>

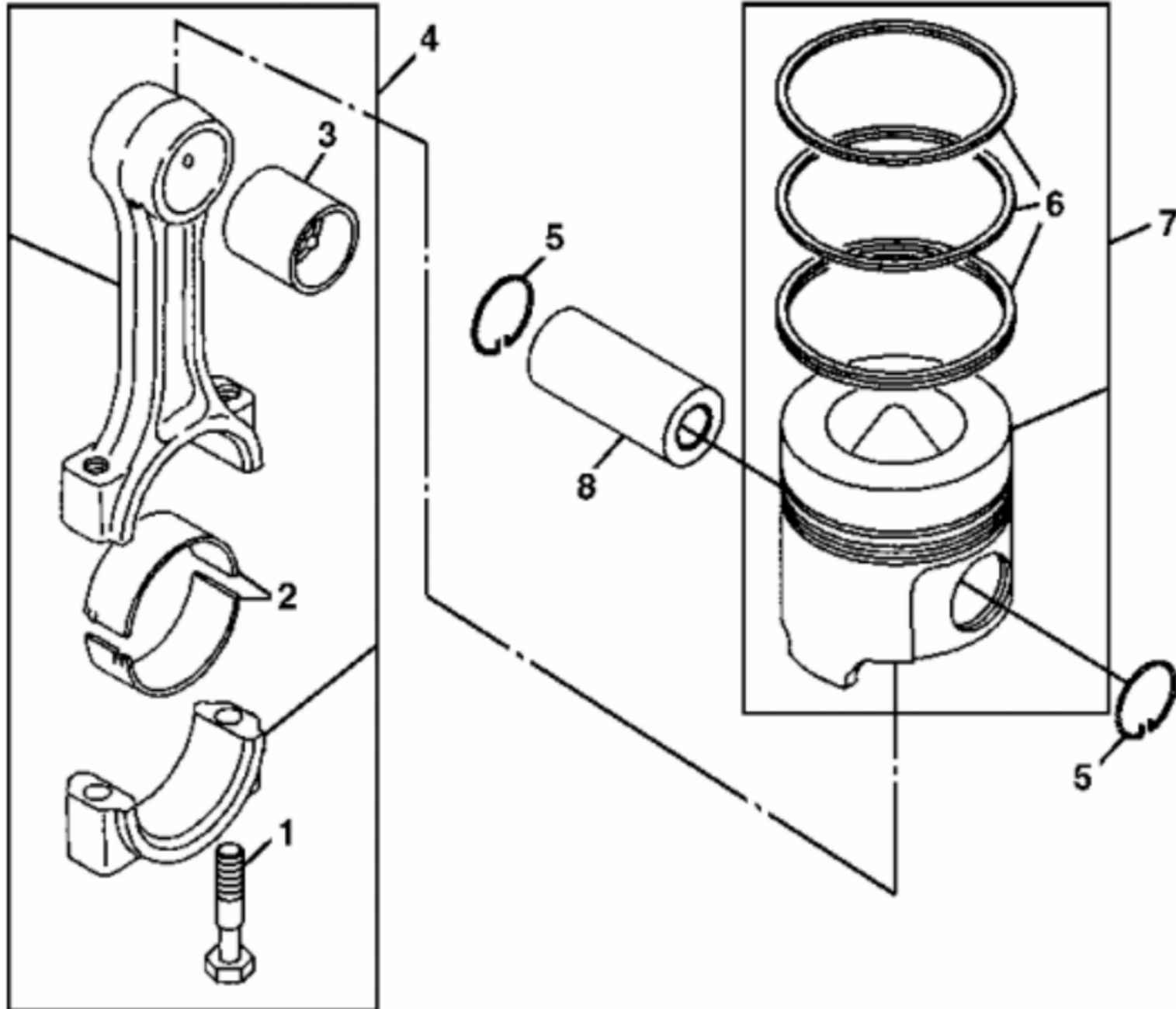
Hello dear friend!

Thank you very much for reading.

Enter the link into your browser.

The full manual is available for immediate download.

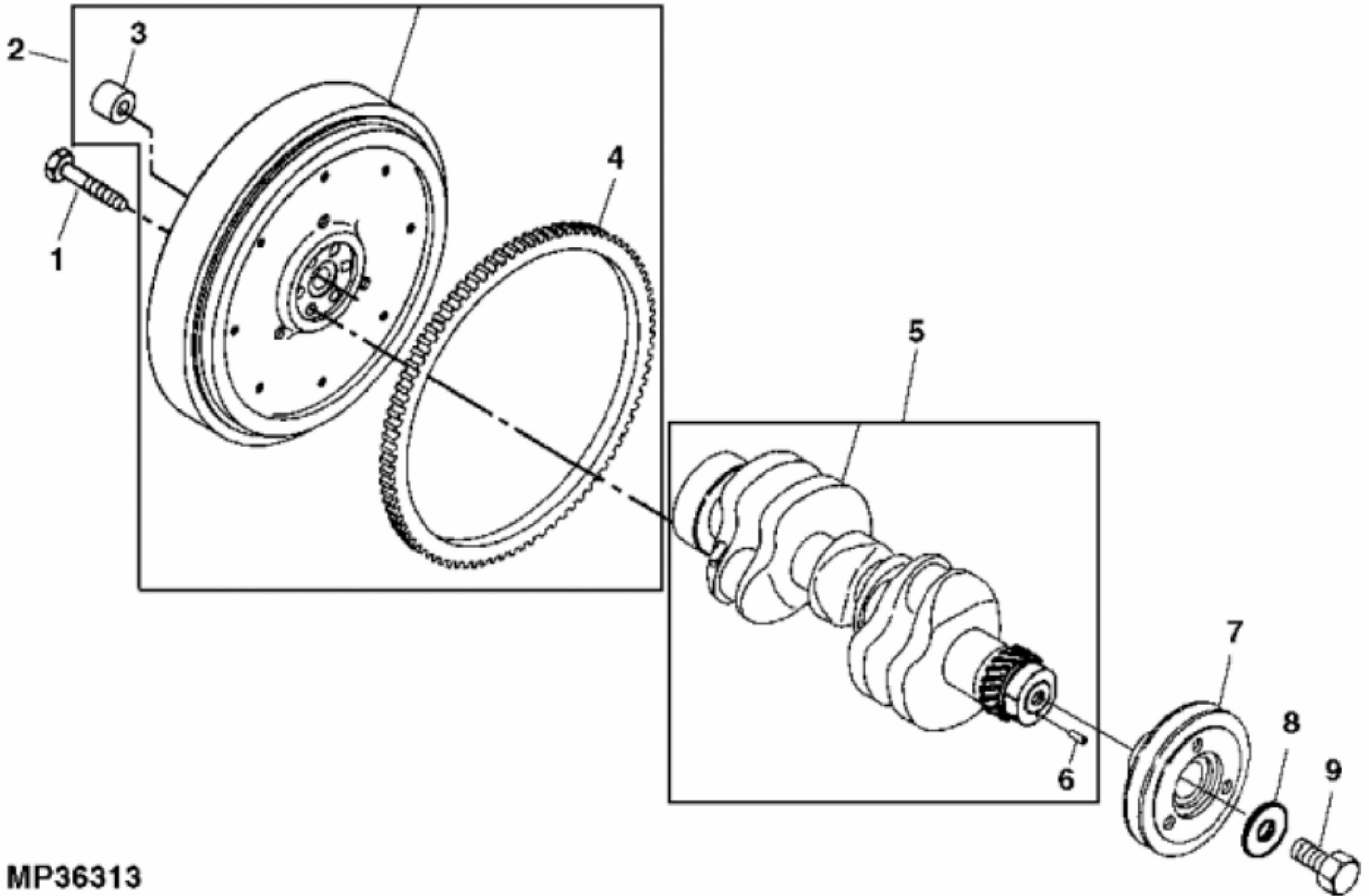
<https://www.ebooklibonline.com>



MP18666

CONNECTING ROD AND PISTON

| KEY | PART NO. | PART NAME | QTY | REMARKS | |
|-----|-----------|------------------------|-----|--|--|
| 1 | M801068 | BOLT | 2 | | |
| 2 | MIA880562 | BEARING | 1 | STD (SUB FOR AM875321) | |
| 2 | MIA880567 | BEARING | 1 | .25 MM (.010") , US (SUB FOR AM875324) | |
| 3 | M801075 | BEARING | 1 | | |
| 4 | AM875320 | CONNECTING ROD | 3 | | |
| 5 | RG60161 | SNAP RING | 6 | | |
| 6 | AM881986 | PISTON RING KIT | 1 | STD | |
| 6 | AM881988 | PISTON RING KIT | 1 | .25 MM (.010") , OS | |
| 7 | AM881985 | PISTON REPLACEMENT KIT | 3 | STD | |
| 7 | AM881987 | PISTON REPLACEMENT KIT | 3 | .25 MM (.010") , OS | |
| 8 | M806430 | PISTON PIN | 3 | | |



MP36313



Suggest:

For more complete manuals. Please go to the home page.

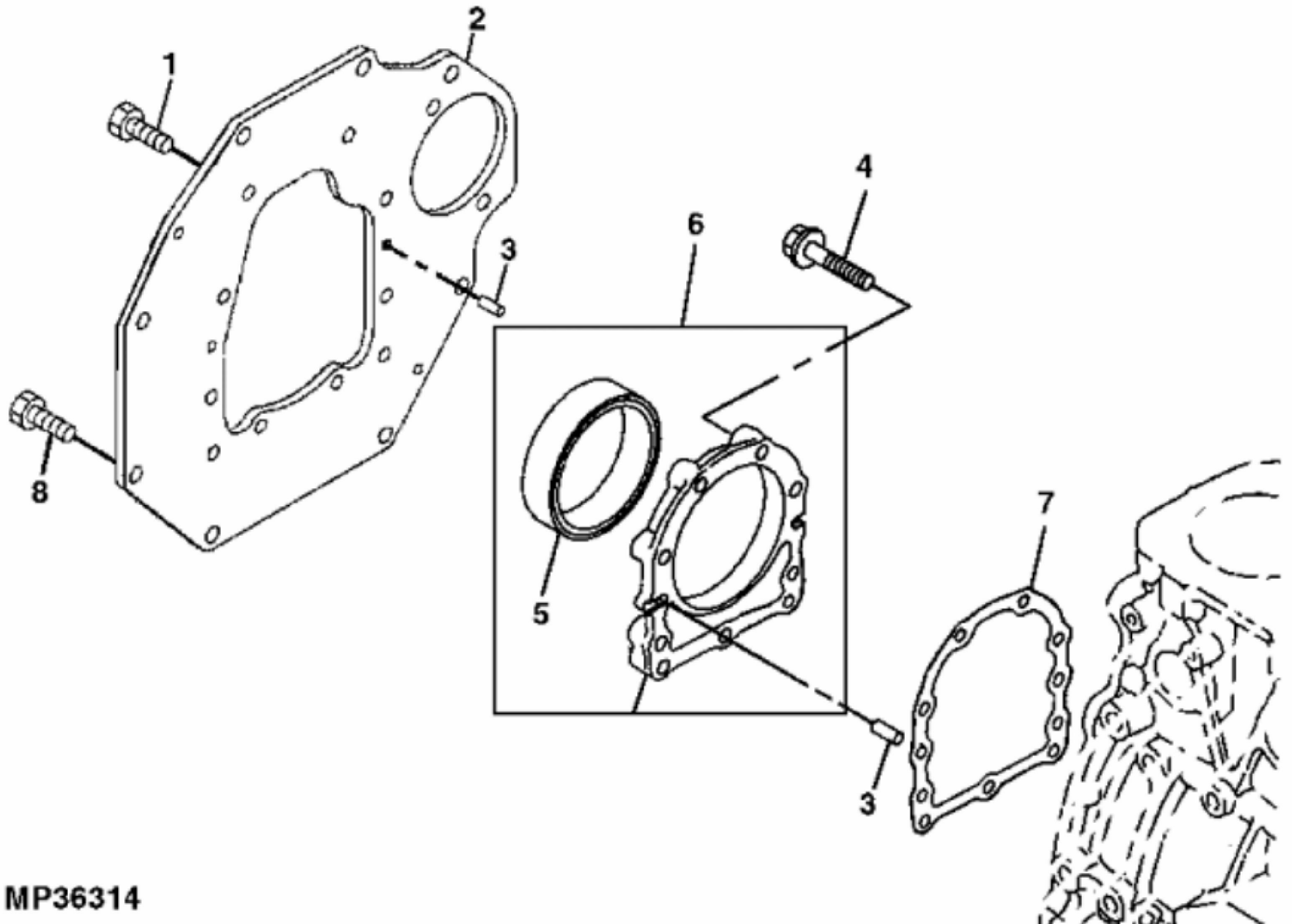
<https://www.ebooklibonline.com>

If the above button click is invalid. Please download this document first, and then click the above link to download the complete manual.

Thank you so much for reading

CRANKSHAFT AND FLYWHEEL

| KEY | PART NO. | PART NAME | QTY | REMARKS | |
|-----|-----------|------------|-----|------------|--|
| 1 | CH19291 | BOLT | 6 | | |
| 2 | MIA880120 | FLYWHEEL | 1 | | |
| 3 | M807344 | BEARING | 1 | | |
| 4 | | RING GEAR | 1 | | |
| 5 | AM882531 | CRANKSHAFT | 1 | | |
| 6 | CH15575 | PIN | 1 | | |
| 7 | M811533 | PULLEY | 1 | CRANKSHAFT | |
| 8 | M801055 | WASHER | 1 | | |
| 9 | CH16798 | BOLT | 1 | | |



MP36314

<https://www.ebooklibonline.com>

Hello dear friend!

Thank you very much for reading.

Enter the link into your browser.

The full manual is available for immediate download.

<https://www.ebooklibonline.com>