

MP8976

KEY	PART NO.	PART NAME	QTY	Serial No.	REMARKS
1	M800003	BOLT	14		
2	M807312	ENGINE CYLINDER HEAD GASKET	1		(SUB FOR M806557)
3	CH10642	PLUG	2		
4	M806843	PLUG	1		STEEL (SUB FOR CH10640)
5	CH17101	PLUG	4		
6	CH18079	SPRING PIN	2		
7	M800013	BUSHING	1		
8	19M7774	SCREW	2		M6 X 12
9	M89140	SHAFT	1		
10	M800002	PLUG	2		
11	M800006	DOWEL PIN	2		
12	AM875059	BEARING KIT	4		STD
12	AM875026	BEARING KIT	4		0.25 MM (.010") US
13	AM875060	BEARING KIT	2		
14	M800012	BOLT	8		
15	CH15478	PLUG	1		
16	CH10314	PLUG	2		
17	M802255	PIN	2		
18	M802254	PIN	2		
19	AM878699	CYLINDER BLOCK	1		
20	M800420	DIPSTICK	1		
21	M800045	GUIDE	1		
22	19M7300	CAP SCREW	1		M6 X 10
23	CH10571	PACKING	1		
24	M89143	GUIDE	1		
25	M809526	SWITCH	1		(SUB FOR CH15500)
..	AMT529	DIESEL ENGINE	1	____-958000	3TNE68-JGM COMPLETE
..	AMT1407	SHORT ENGINE	1	958001-____	NLA; ORDER AM881039; 3TNE68C-JGM; COMPLETE (CARB CERTIFIED)
..	MIA882704	SHORT BLOCK ASSEMBLY	1		SUB FOR AM881039

<https://www.ebooklibonline.com>

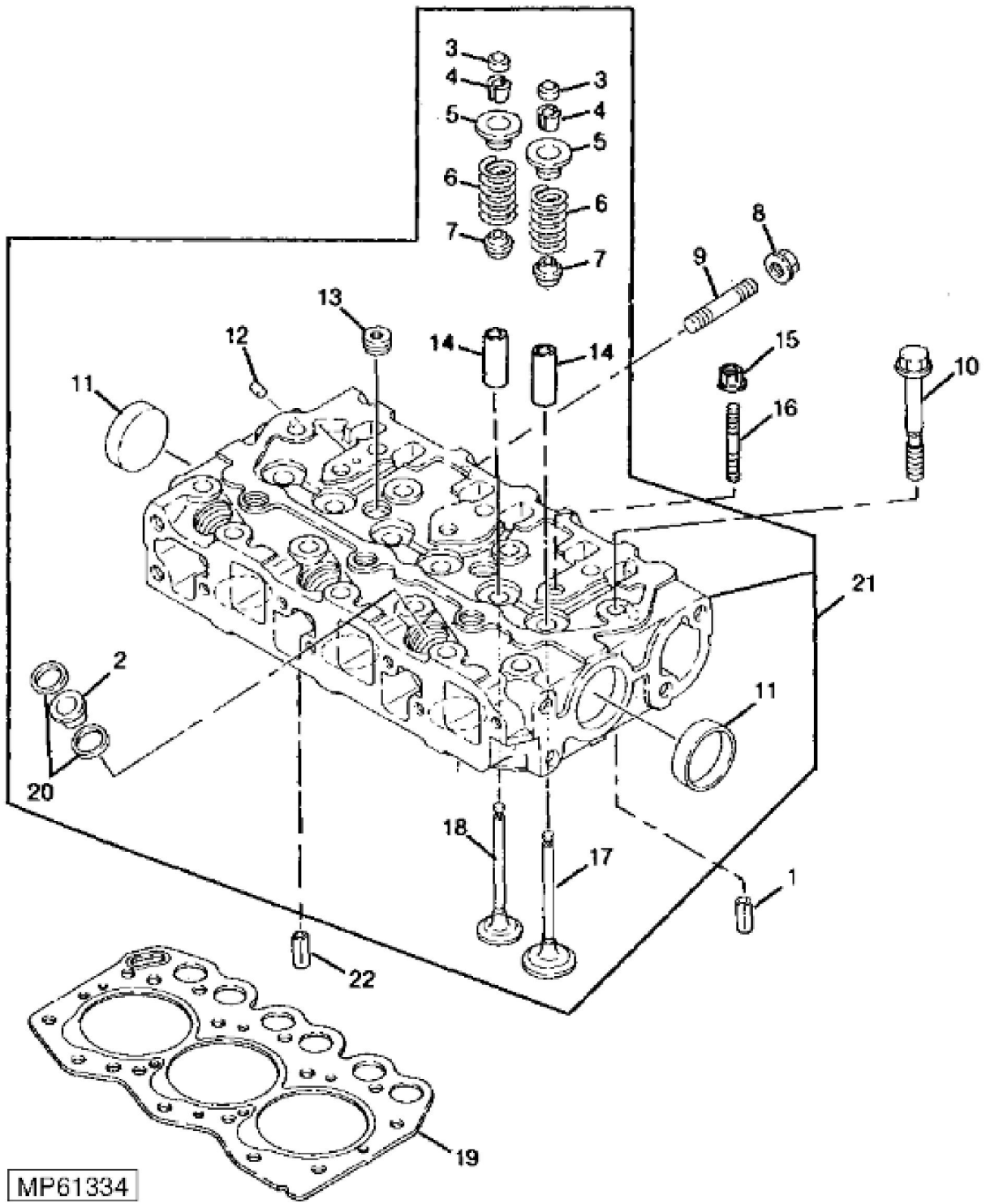
Hello dear friend!

Thank you very much for reading.

Enter the link into your browser.

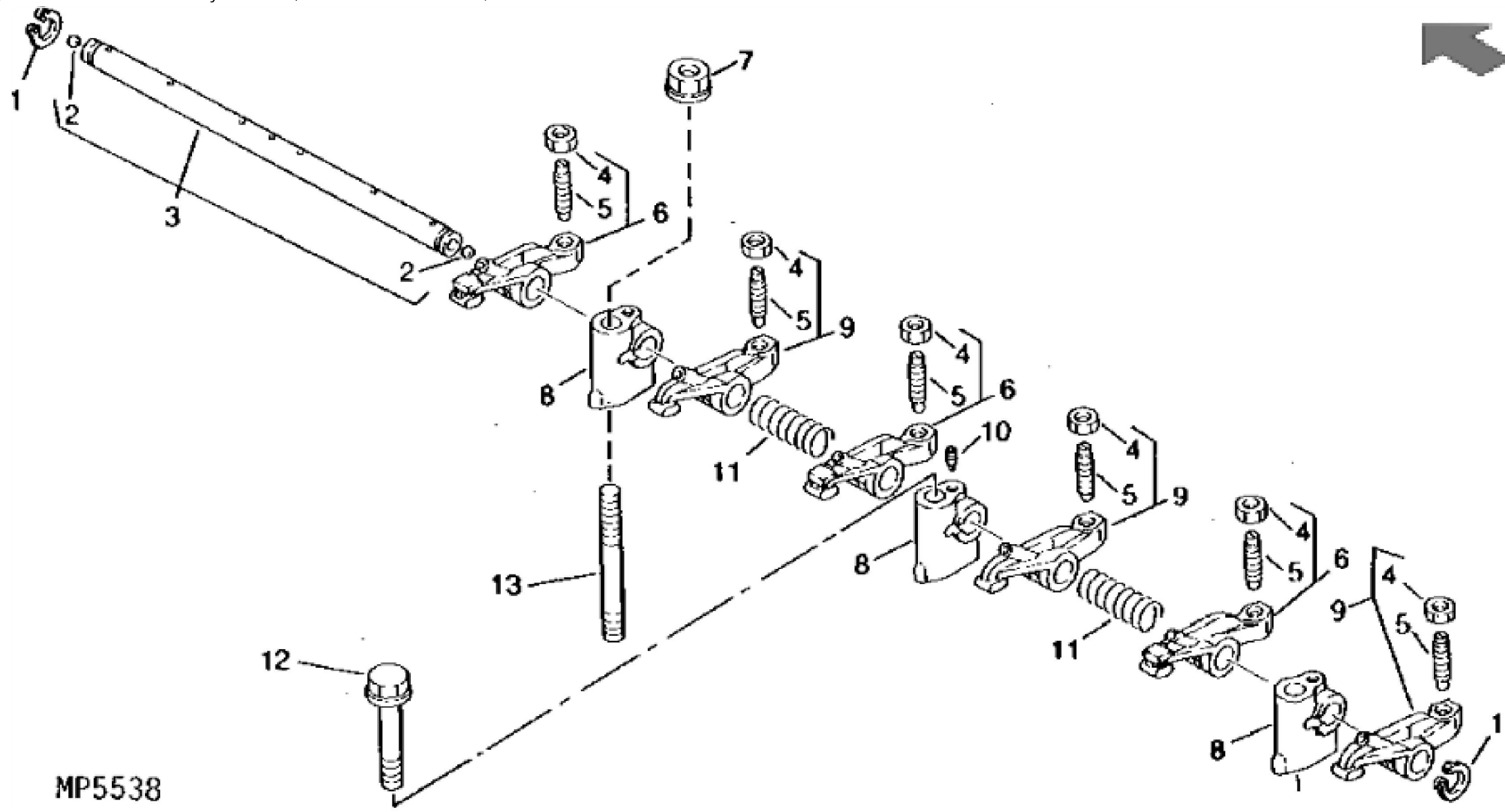
The full manual is available for immediate download.

<https://www.ebooklibonline.com>



MP61334

KEY	PART NO.	PART NAME	QTY	REMARKS
1	CH18079	SPRING PIN	2	
2	M89134	PACKING	3	
3	M800023	CAP	6	
4	AM878864	RETAINER KIT	6	RETAINER (SUB FOR (2) M800021)
5	M800020	HOLDER	6	
6	M800019	SPRING	6	
7	M800022	SEAL	6	NLA; ORDER MIU801996
7	MIU801996	SEAL	6	
8	14M7303	FLANGE NUT	2	M6
9	M800034	STUD	2	
10	M800003	BOLT	14	
11	CH17438	PLUG	2	
12	M87831	PLUG	1	
13	15H559	PIPE PLUG	2	1/4"
14	M800067	GUIDE	6	
15	14M7298	FLANGE NUT	2	M8
16	M87836	STUD	2	
17	M800017	INTAKE VALVE	3	
18	M800018	EXHAUST VALVE	3	
19	M807312	ENGINE CYLINDER HEAD GASKET	1	(SUB FOR M806557)
20	M89135	GASKET	6	
21	AM878678	CYLINDER HEAD	1	



MP5538



Suggest:

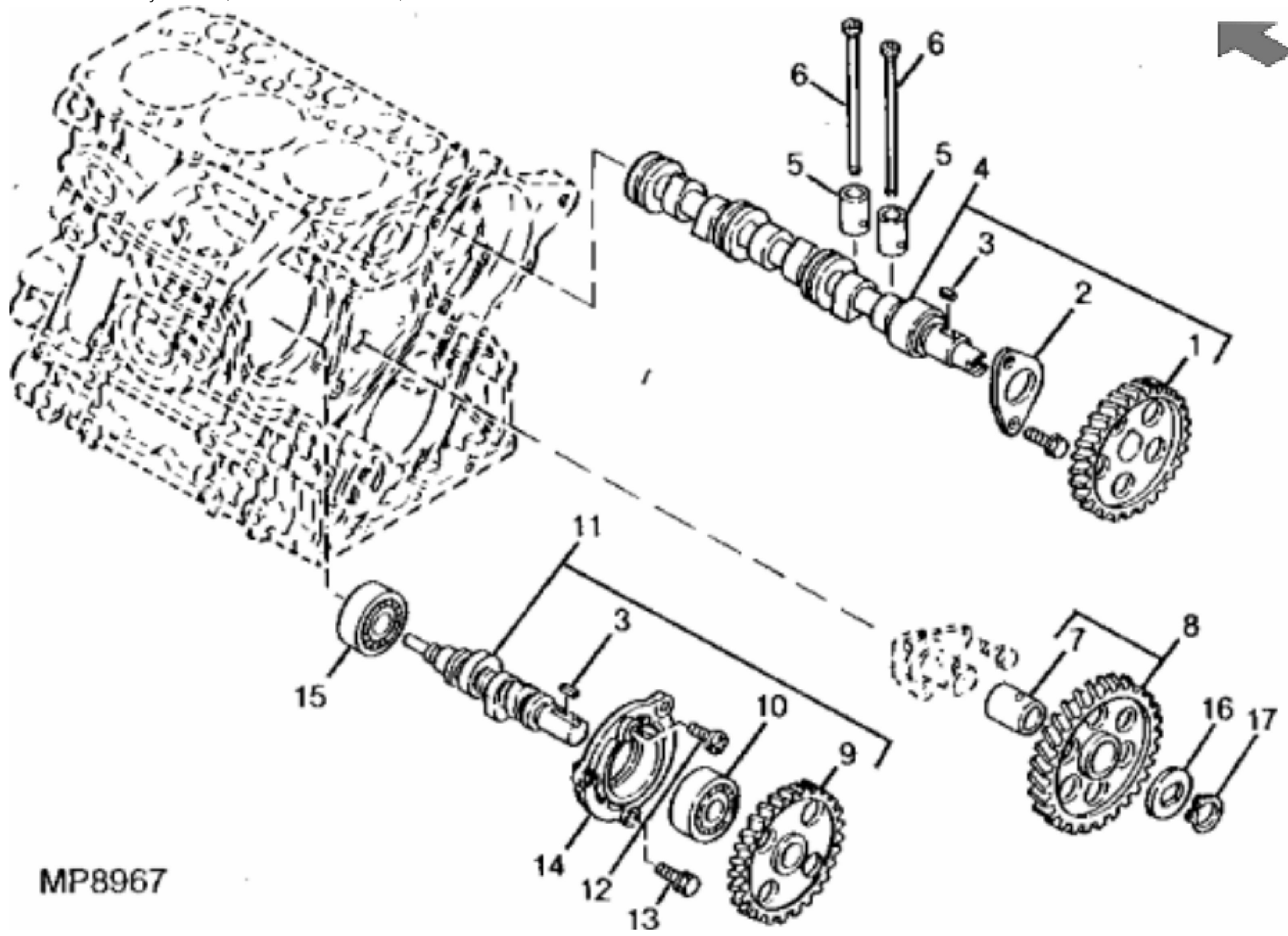
For more complete manuals. Please go to the home page.

<https://www.ebooklibonline.com>

If the above button click is invalid. Please download this document first, and then click the above link to download the complete manual.

Thank you so much for reading

KEY	PART NO.	PART NAME	QTY	REMARKS	
1	CH17950	RING	2		
2	R63075	BALL	2		
3	AM875002	ROCKER ARM SHAFT	1		
4	14M7194	NUT	6	M6	
5	M87841	SCREW	6		
6	AM875029	ROCKER ARM	3	(EXHAUST)	
7	14M7298	FLANGE NUT	2	M8	
8	M800024	SUPPORT	3		
9	AM875028	ROCKER ARM	3	(INTAKE)	
10	M800069	SELF-LOCKING SCREW	1		
11	M800025	SPRING	2		
12	CH19101	BOLT	1		
13	M87836	STUD	2		



MP8967

<https://www.ebooklibonline.com>

Hello dear friend!

Thank you very much for reading.

Enter the link into your browser.

The full manual is available for immediate download.

<https://www.ebooklibonline.com>