

CD35400A

KEY	PART NO.	PART NAME	QTY	Engine Serial No.	2155	2355N	REMARKS	
1	RE51923	SHORT BLOCK ASSEMBLY	AR	____-741897	X		(EQUIPPED WITH CRANKSHAFT MARKED R100142) (ORD RE69874, (14) R85363) (SUB FOR RE16813) FOR 3179DL017 AND 3179DL001	
1	RE51923	SHORT BLOCK ASSEMBLY	AR	741898- 743474	X		(EQUIPPED WITH CRANKSHAFT MARKED R100142) (ORD RE69874) (SUB FOR RE29218), FOR 3179DL017	
1	RE51924	SHORT BLOCK ASSEMBLY	AR	743475-____	X		(EQUIPPED WITH CRANKSHAFT MARKED R101223) (ORD RE70898) (SUB FOR RE32230), FOR 3179DL017	
1	RE51923	SHORT BLOCK ASSEMBLY	AR	741898- 751023	X		(EQUIPPED WITH CRANKSHAFT MARKED R100142) (ORD RE69874) (SUB FOR RE29218) FOR 3179DL001	
1	RE51924	SHORT BLOCK ASSEMBLY	AR	751024-____	X		(EQUIPPED WITH CRANKSHAFT MARKED R101223) (ORD RE70898) (SUB FOR RE32230) FOR 3179DL001	
1	RE70900	SHORT BLOCK ASSEMBLY	AR			X	(EQUIPPED WITH CRANKSHAFT MARKED R101223) (SUB FOR RE51926) (SUB FOR RE32231) FOR 3179TL002 AND 3179TL003	
2	R46625	SPRING	1		X	X	LGTH= 59MM, (FOR R73139), OR (ORD RE63673)	
2	.....	SPRING	1		X	X	LGTH= 51MM, NSEP, (ORD RE63674)	
3	R73139	FLOW CONTROL HYD. VALVE	1		X	X	LGTH= 49.5MM, (FOR R46625), OR (ORD RE63673)	
3	.....	FLOW CONTROL HYD. VALVE	1		X	X	LGTH= 40.5MM, NSEP, (ORD RE63674)	
4	RE63673	VALVE	1		X	X	(INCLUDES R46625 AND R73139)	
4	RE63674	VALVE	1		X	X	KIT	

**<https://www.ebooklibonline.com>**

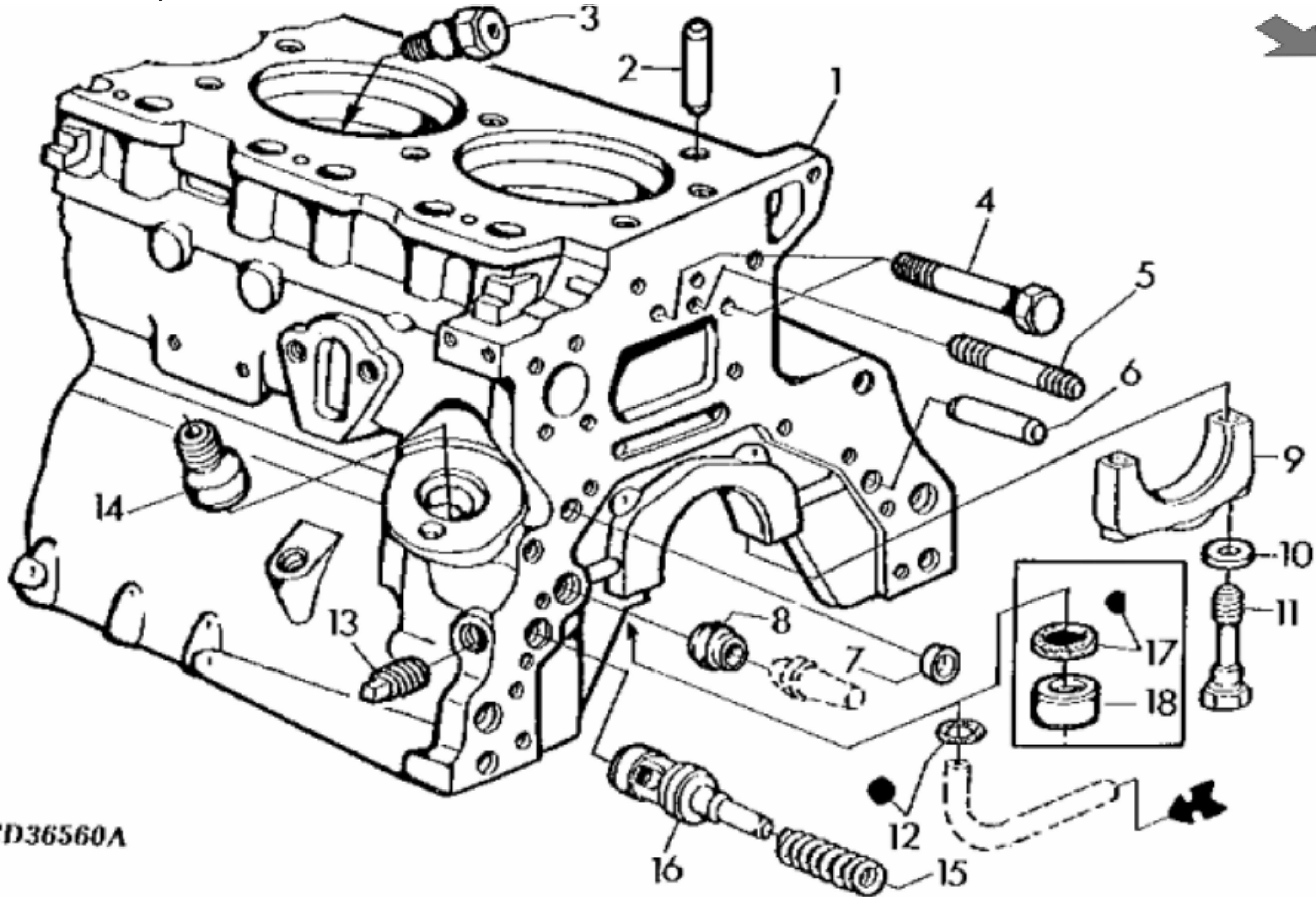
Hello dear friend!

Thank you very much for reading.

Enter the link into your browser.

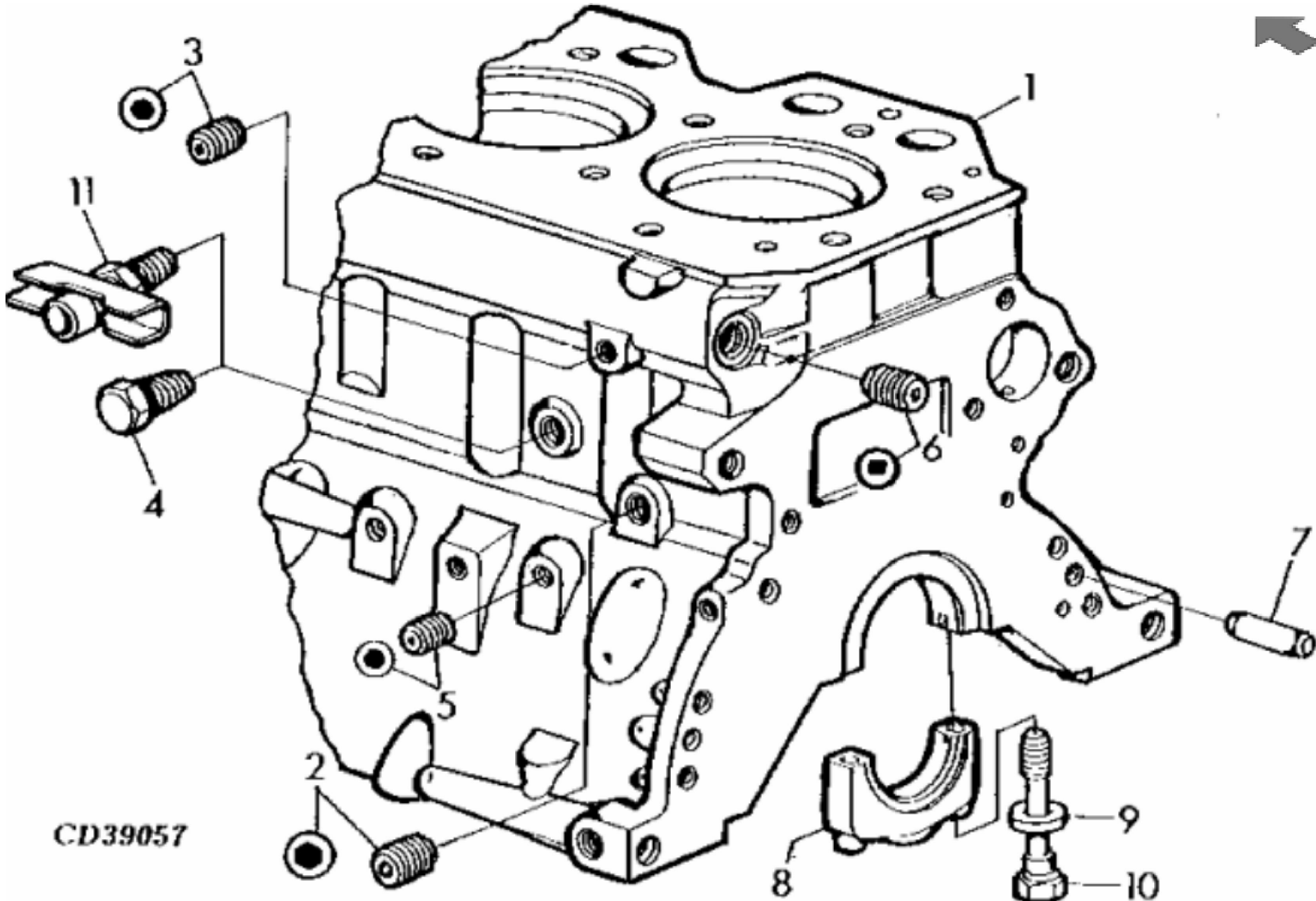
The full manual is available for immediate download.

**<https://www.ebooklibonline.com>**



CD36560A

KEY	PART NO.	PART NAME	QTY	Engine Serial No.	2155	2355N	REMARKS
1	AR97201	CYLINDER BLOCK	1	____-741897	X		(MARKED R72962) (ORD RE68302, (14) R85363)
1	RE29217	CYLINDER BLOCK	1	741898-____	X		(ORD RE68302) (MARKED R89834, OR CD16355, OR R108740, OR R115223, OR CD16435)
1	RE29217	CYLINDER BLOCK	1			X	(ORD RE68302) (MARKED R89834, OR CD16355, OR R108740, OR R115223, OR CD16435)
2	R48685	DOWEL PIN	2		X	X	(SUB FOR R26241, A120R)
3	R54802	ORIFICE	3		X	X	
4	19H1726	CAP SCREW	1	831647-____	X	X	3/8" X 2-1/4"
5	T25701	STUD	1	____-729358	X	X	3/8"-16NC X 3/8"-16UNC, LGTH= 55.5MM, (2.180"), (ORD R130883 AND 14H1076)
5	R130883	STUD	1	729359-____	X	X	3/8"-16NC X 3/8"-16UNC, (USE WITH 14H1076 ) (SUB FOR R108588 3/8"-16NC X 3/8"-24UNF (FOR 14H774))
6	R26650	DOWEL PIN	2		X	X	(SUB FOR A4879R)
7	T18891	PLUG	1		X	X	
8	R26493	BUSHING	1		X	X	
9	R65215	BEARING CAP	3		X	X	
10	R32214	WASHER	6		X	X	(SUB FOR T20168)
11	T23474	CAP SCREW	6		X	X	
12	R97185	O-RING	1		X	X	
13	15H623	PIPE PLUG	1		X	X	3/8"
14	T23435	THREADED NIPPLE	1		X	X	
15	R46625	SPRING	1		X	X	LGTH= 59MM (2.32"), (FOR R73139)
15	R111137	SPRING	1		X	X	LGTH= 51MM (2"), (FOR R111135)
16	R73139	FLOW CONTROL HYD. VALVE	1		X	X	LGTH= 49MM (1.94"), (FOR R46625)
16	R111135	VALVE	1		X	X	LGTH= 41MM (1.61"), (FOR R111137)
17	R75892	O-RING	1		X	X	(FOR R75893)
18	R75893	FITTING	1		X	X	(FOR R75892)



CD39057



**Suggest:**

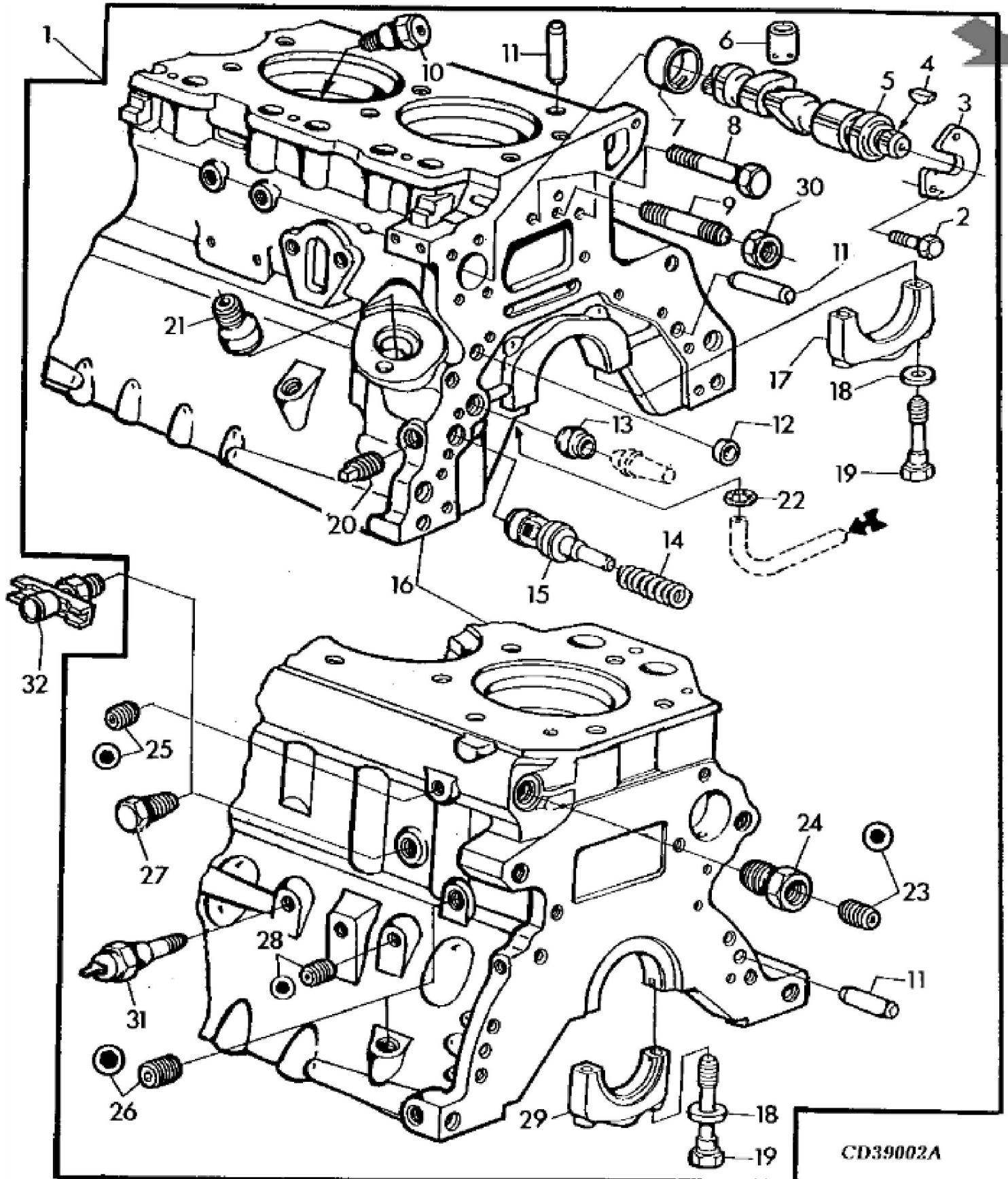
**For more complete manuals. Please go to the home page.**

**<https://www.ebooklibonline.com>**

**If the above button click is invalid. Please download this document first, and then click the above link to download the complete manual.**

**Thank you so much for reading**

KEY	PART NO.	PART NAME	QTY	Engine Serial No.	2155	2355N	REMARKS
1	AR97201	CYLINDER BLOCK	1	____-741897	X		(MARKED R72962) (ORD RE68302)
1	RE29217	CYLINDER BLOCK	1	741898-____	X		(MARKED R89834 OR CD16355 OR R108740 OR R115223 OR CD16435) (ORD RE68302)
1	RE29217	CYLINDER BLOCK	1			X	(MARKED R89834 OR CD16355 OR R108740 OR R115223 OR CD16435) (ORD RE68302)
2	RE57836	PIPE PLUG	AR		X	X	1/2"-14NPT, (SUB FOR 15H624)
3	15H275	PIPE PLUG	1		X	X	1/4"
4	RE507807	PIPE PLUG	1		X	X	1/4", THREADS WITH PRE-APPLIED SEALANT, (SUB FOR R55233, THIS APPLICATION)
5	R104592	PIPE PLUG	4		X	X	1/8"-27NPT, (SUB FOR 15H558, R119392)
6	15H690	PIPE PLUG	1	____-851910	X	X	3/4", (SUB FOR 15H665)
6	15H562	PIPE PLUG	1	851911-____	X	X	1"
7	R48685	DOWEL PIN	2		X	X	(SUB FOR A120R)
8	R79089	CAP	1		X	X	
9	R32214	WASHER	2		X	X	(SUB FOR T20168)
10	T23474	CAP SCREW	2		X	X	
11	AT13740	DRAIN VALVE	AR		X	X	



CD39002A

**<https://www.ebooklibonline.com>**

Hello dear friend!

Thank you very much for reading.

Enter the link into your browser.

The full manual is available for immediate download.

**<https://www.ebooklibonline.com>**