

PULV104765

KEY	PART NO.	PART NAME	QTY	REMARKS	
1	MIA882899	CYLINDER BLOCK	1		
2	M809565	DRAIN PLUG	1		
3	15H562	PIPE PLUG	1	1"	
4	M801189	BOLT	8		
5	M801190	BEARING CAP	1		
6	M801191	BEARING CAP	3		
7	MIU800573	CAMSHAFT	1		
8	30M7023	PLUG	6		
9	CH10314	PLUG	1		
10	CH10335	PLUG	3		
11	M87801	PLUG	1		
12	MIA880555	BEARING	2		
12	MIA882809	BEARING KIT	1	(Over Sized (O.S=0.25) Part)	
13	M801186	BOLT	14		
14	MIA882898	GASKET KIT	1		
15	MIA880554	BEARING	4	(Spare Part)	
15	MIA880550	BEARING	4	(Under Sized (U.S=0.25) Part)	
15	AM875371	BEARING KIT	4		
16	MIA12710	DIESEL ENGINE	1	Not Illustrated MARKED 3TNV86CT-NJT2	

<https://www.ebooklibonline.com>

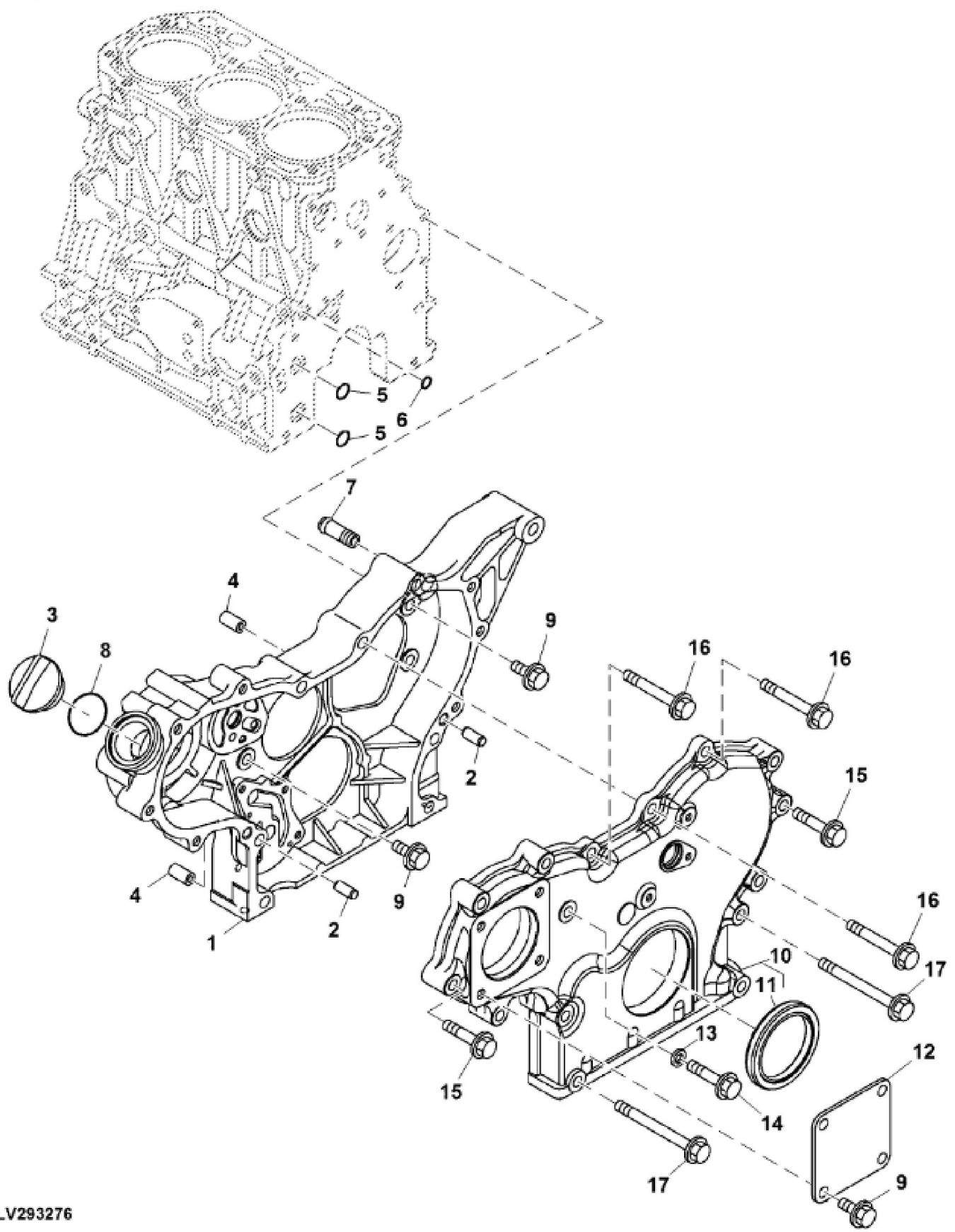
Hello dear friend!

Thank you very much for reading.

Enter the link into your browser.

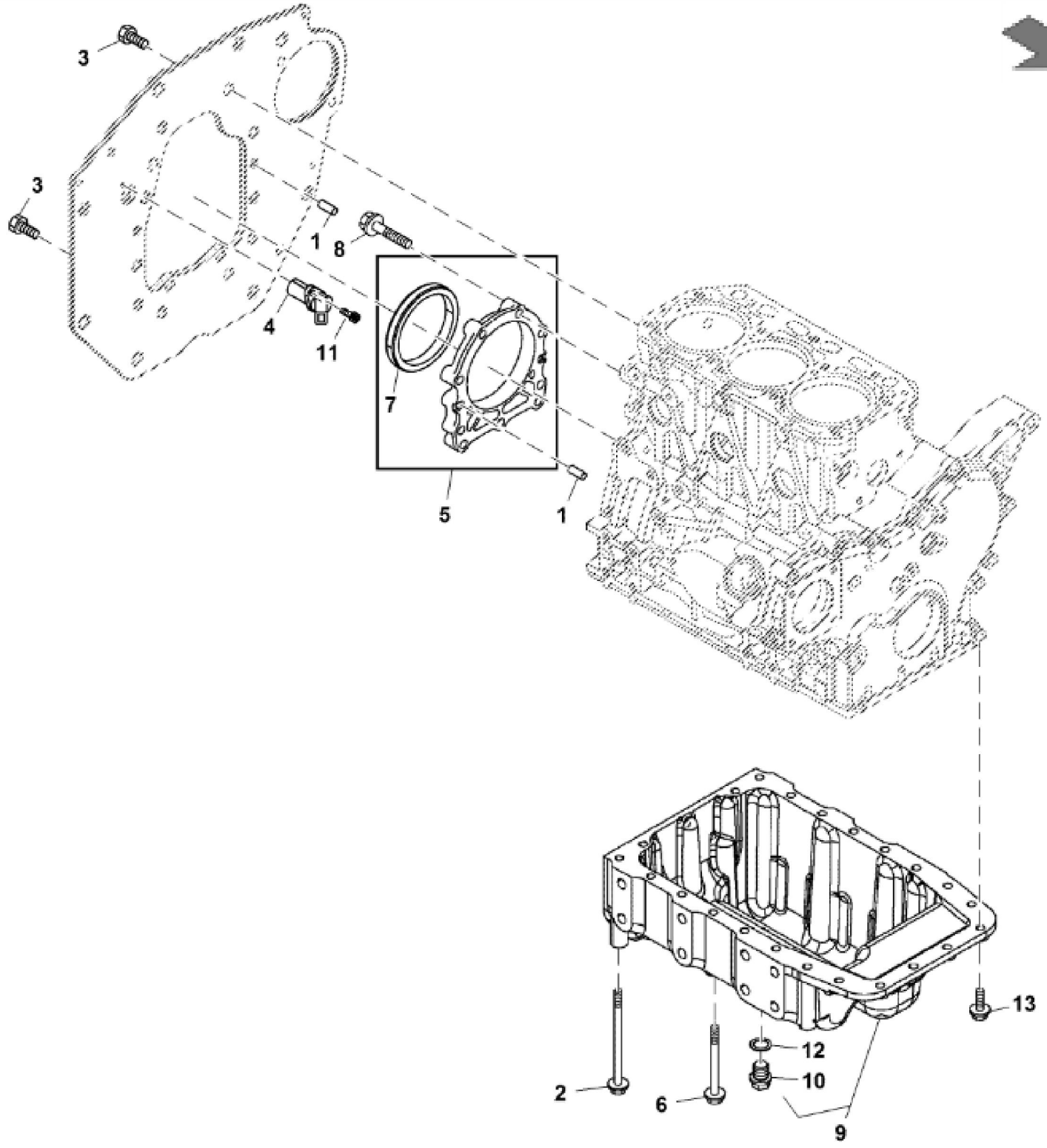
The full manual is available for immediate download.

<https://www.ebooklibonline.com>



LV293276

KEY	PART NO.	PART NAME	QTY	REMARKS
1	MIU803153	GEAR CASE	1	
2	M802255	PIN	2	
3	M805710	CAP	1	
4	M800974	PIPE	2	
5	M810185	O-RING	2	
6	M809204	O-RING	1	
7	T110730	UNIVERSAL JOINT	1	
8	M805711	PACKING	1	
9	19M7865	SCREW	7	M8 X 16, SUB FOR CH18390
10	MIA881991	COVER	1	
11	M811078	SEAL	1	
12	CH18096	COVER	1	
13	M803523	WASHER	1	
14	CH19090	BOLT	1	
15	19M8317	SCREW	7	M8 X 40
16	19M7801	SCREW	3	M8 X 60
17	CH19136	BOLT	4	



LV293277



Suggest:

For more complete manuals. Please go to the home page.

<https://www.ebooklibonline.com>

If the above button click is invalid. Please download this document first, and then click the above link to download the complete manual.

Thank you so much for reading

KEY	PART NO.	PART NAME	QTY	REMARKS	
1	M802255	PIN	4		
2	T111562	BOLT	4		
3	M800011	BOLT	8		
4	MIU802138	SENSOR	1		
5	AM875375	CASE	1		
6	CH19136	BOLT	12		
7	M805278	SEAL	1		
8	M808308	BOLT	9		
9	AM880870	OIL PAN	1		
10	T111565	PLUG	1		
11	19M8553	SCREW	1	M6 X 16	
12	M811568	WASHER	1		
13	CH19085	BOLT	6		

<https://www.ebooklibonline.com>

Hello dear friend!

Thank you very much for reading.

Enter the link into your browser.

The full manual is available for immediate download.

<https://www.ebooklibonline.com>