

KEY	PART NO.	PART NAME	QTY	Serial No.	REMARKS	
1	AM133451	DIESEL ENGINE	1	____-075000	MARKED 3TNV76-XJUV; ORDER MIA882684	
1	MIA11975	DIESEL ENGINE	1	____-075000	MARKED 3TNV76-XJUV; ORDER MIA882684	
1	MIA11976	DIESEL ENGINE	1	____-075000	ORDER MIA882684; W/O Hydraulic Pump	
1	MIA882684	SHORT BLOCK ASSEMBLY	1	____-075000	W/O Hydraulic Pump	
1	MIA13217	DIESEL ENGINE	1	075001-____	MARKED 3TNV80F-NCJUV; SUB FOR MIA12139	
1	MIA884539	SHORT BLOCK ASSEMBLY	1	075001-____		

<https://www.ebooklibonline.com>

Hello dear friend!

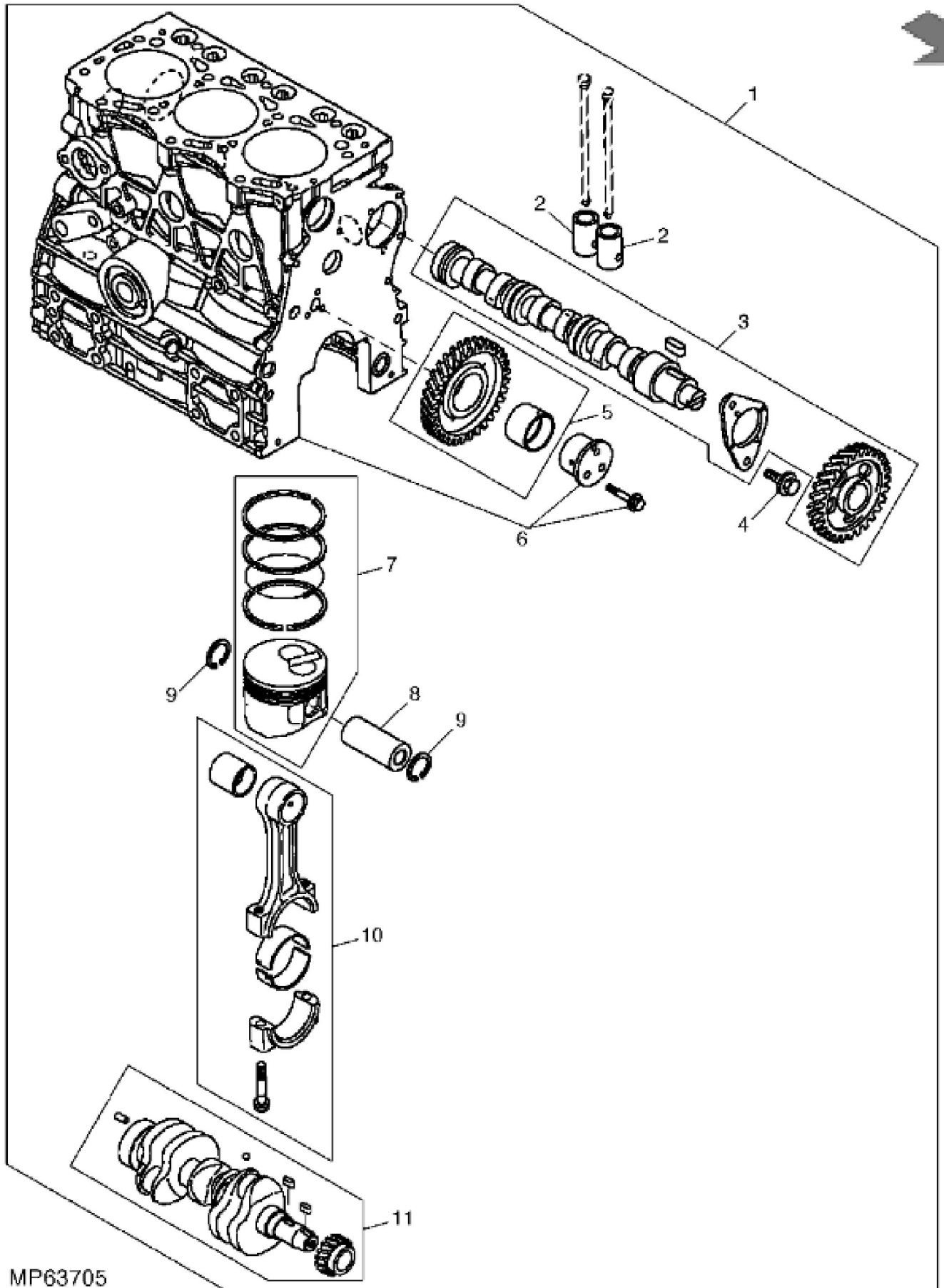
Thank you very much for reading.

Enter the link into your browser.

The full manual is available for immediate download.

<https://www.ebooklibonline.com>

KEY	PART NO.	PART NAME	QTY	Serial No.	REMARKS
1	M800970	BOLT	14		
2	M811815	ENGINE CYLINDER HEAD GASKET	1		NLA; ORDER MIU802007
2	MIU802007	GASKET	1		
2	MIA882331	GASKET KIT	1	080001-_____	USE WITH MIA12139
3	MIA880096	CYLINDER BLOCK	1		
4	CH18079	SPRING PIN	2		
5	M811807	PLUG	3		
6	M802255	PIN	2		
7	MIU800572	CAMSHAFT	1		
8	M811882	SHAFT	1		
9	M87871	BOLT	3		
10	M87801	PLUG	1		
11	M800006	DOWEL PIN	2		
12	MIA880551	BEARING	4		STD
12	AM882418	BEARING	4		0.25 MM (0.010"), US
13	CH10335	PLUG	1		
14	M87879	BOLT	8		
15	M809593	PLUG	1		
16	AM882419	THRUST BEARING	2		STD
16	MIA880557	BEARING	2		0.25 MM (0.010"), OS
17	CH10314	PLUG	1		
18	M811805	PLUG	4		
19	M802254	PIN	2		



MP63705



Suggest:

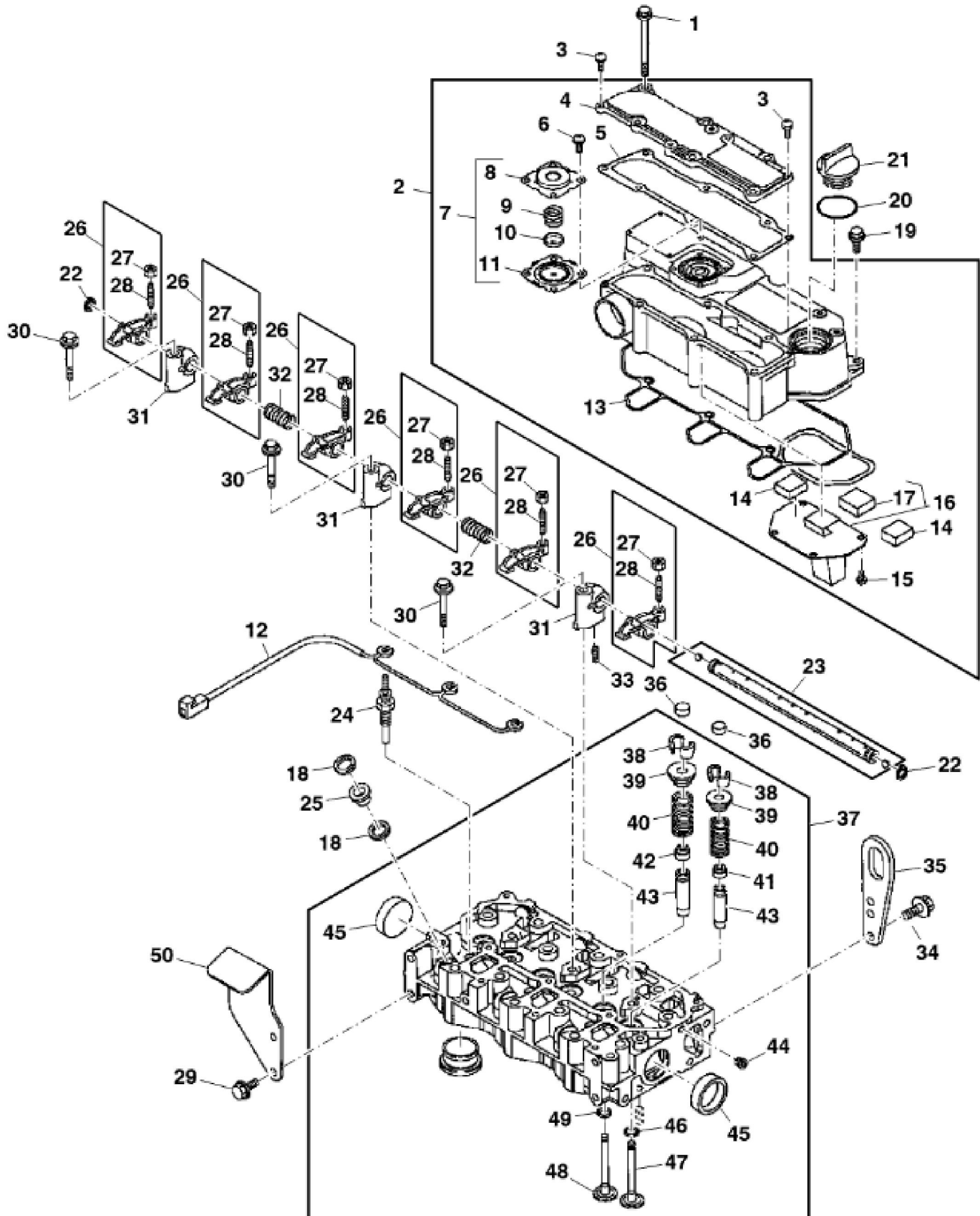
For more complete manuals. Please go to the home page.

<https://www.ebooklibonline.com>

If the above button click is invalid. Please download this document first, and then click the above link to download the complete manual.

Thank you so much for reading

KEY	PART NO.	PART NAME	QTY	Serial No.	REMARKS
1	MIA880049	SHORT BLOCK ASSEMBLY	1		NLA; ORDER MIA882684
1	MIA882684	SHORT BLOCK ASSEMBLY	1	____-070000	
1	MIA882698	SHORT BLOCK ASSEMBLY	1	070001-____	
2	M87813	TAPPET	6		
3	MIA880537	CAMSHAFT	1		
4	19M7774	SCREW	2		M6 X 12
5	MIA880570	IDLER GEAR	1		
6	MIA880096	CYLINDER BLOCK	1		
7	AM882426	PISTON	3		
8	M811869	PISTON PIN	3		
9	CH11486	RING	6		
10	AM882431	CONNECTING ROD	3	____-070000	
10	AM875391	CONNECTING ROD	3	070001-____	
11	AM882425	CRANKSHAFT	1	____-070000	
11	AM879978	CRANKSHAFT	1	070001-____	
12	MIA884539	SHORT BLOCK ASSEMBLY	1		(Not Illustrated) MARKED B-3TNV80F-J1



<https://www.ebooklibonline.com>

Hello dear friend!

Thank you very much for reading.

Enter the link into your browser.

The full manual is available for immediate download.

<https://www.ebooklibonline.com>