

MP63742

KEY	PART NO.	PART NAME	QTY	REMARKS	
1	MIA10647	GASOLINE ENGINE	1	NLA; ORDER MIA11973; MARKED 3TG72-XJUV	
1	MIA11973	GASOLINE ENGINE	1	ORDER MIA883596; MARKED 3TG72-EJUV	
1	MIA883596	SHORT BLOCK ASSEMBLY	1		

<https://www.ebooklibonline.com>

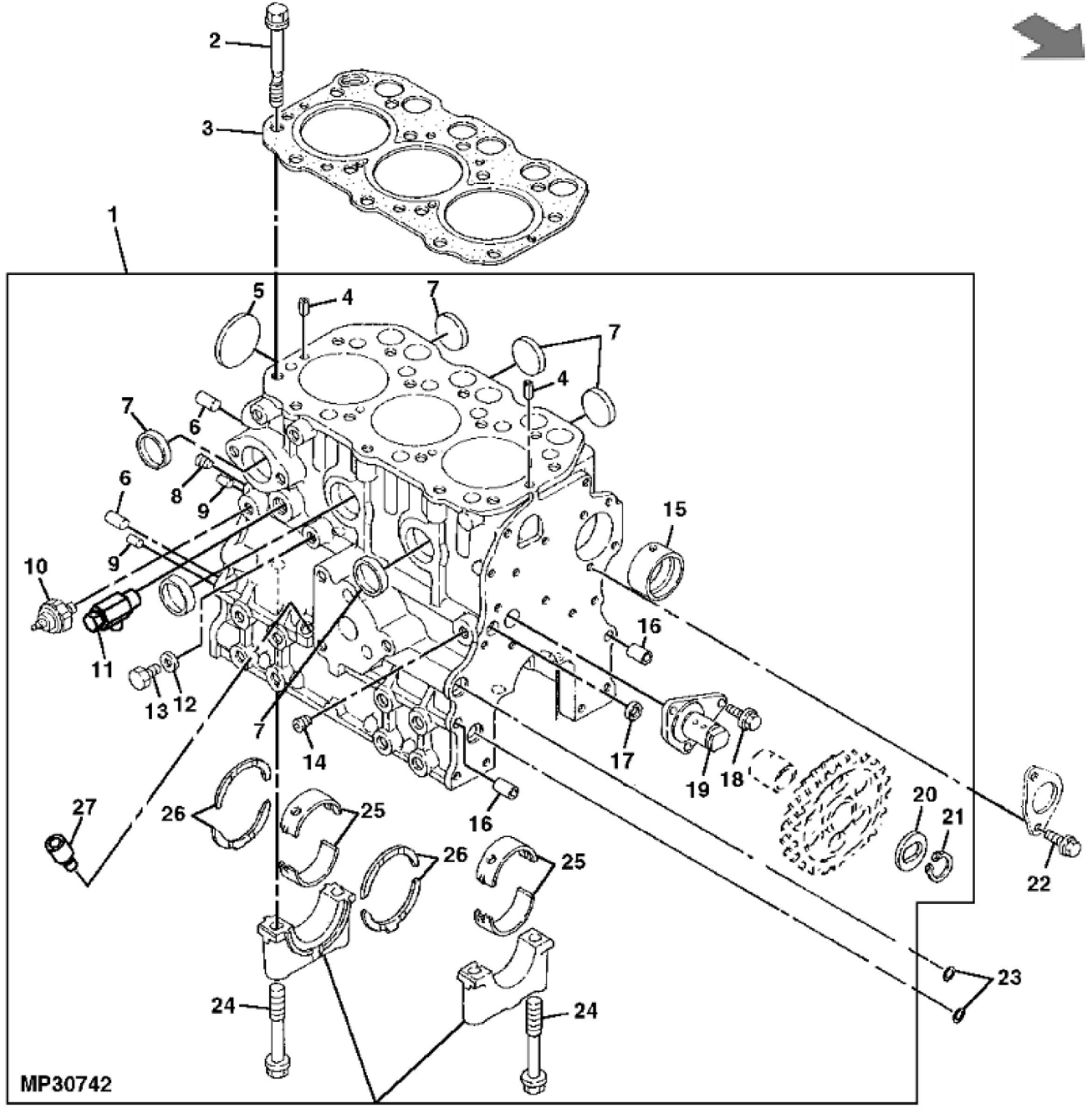
Hello dear friend!

Thank you very much for reading.

Enter the link into your browser.

The full manual is available for immediate download.

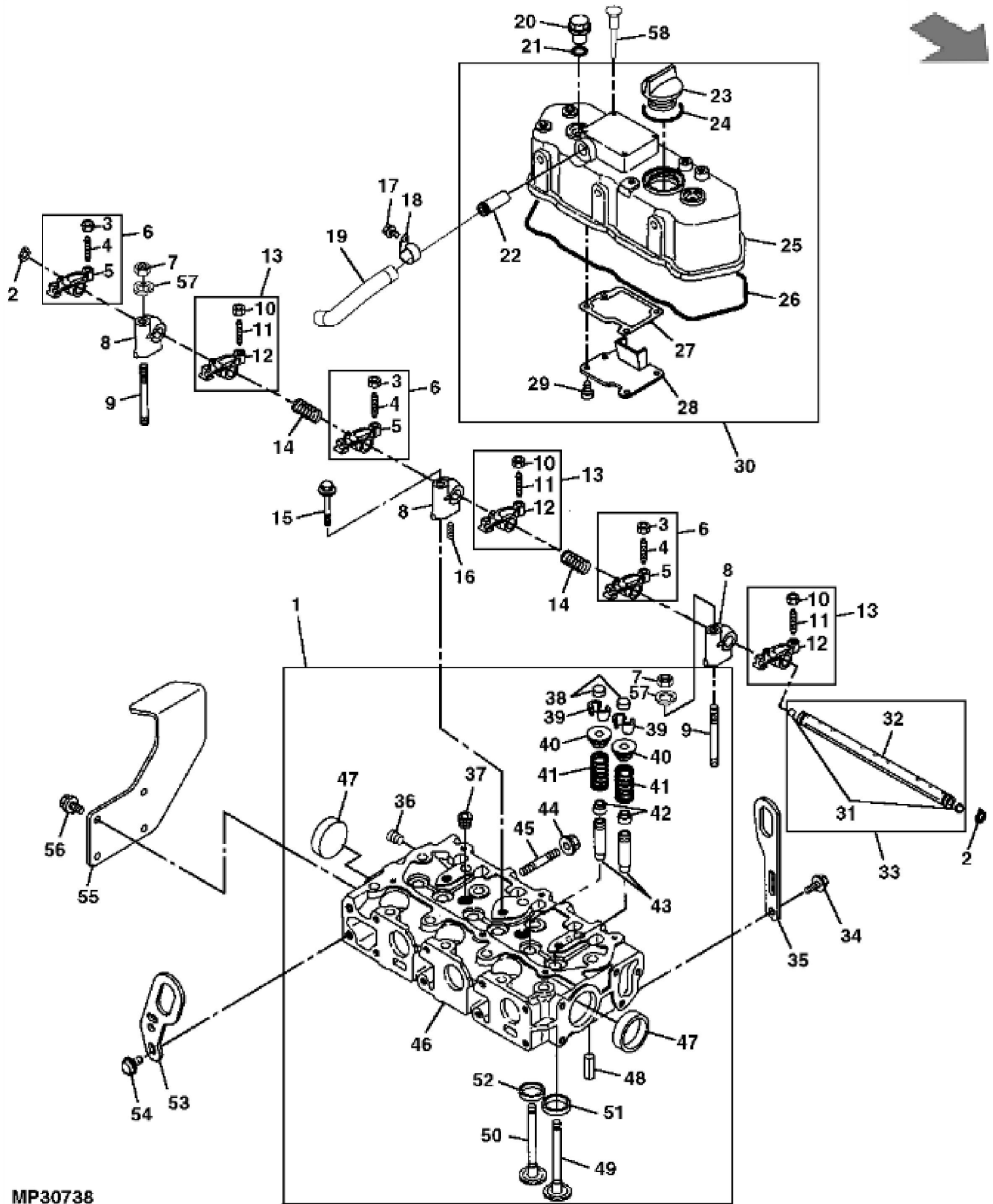
<https://www.ebooklibonline.com>



MP30742

John Deere > Turf And Utility >UTILITY VEHICLE >PROGATOR - UTILITY VEHICLE >2020A ProGator Utility Vehicle >20 ENGINE TCM11423 (- 060000) >ST463909 - CYLINDER BLOCK AND MAIN BEARINGS (- 060000)

KEY	PART NO.	PART NAME	QTY	Serial No.	REMARKS
1	CYLINDER BLOCK	1	____-050000	USE WITH MIA10647
1	MIA883584	CYLINDER BLOCK	1	050001-____	USE WITH MIA11973
2	M87866	BOLT	14		
3	M805826	ENGINE CYLINDER HEAD GASKET	1		
4	CH18079	SPRING PIN	2		
5	M809593	PLUG	1		
6	M802255	PIN	2		
7	30M7023	PLUG	6		
8	CH10335	PLUG	1		
9	M802254	PIN	2		
10	MIU14009	PRESSURE SWITCH	1		OIL PRESSURE
11	AM100800	DRAIN VALVE	1		
12	M89126	GASKET	1		
13	M89125	PLUG	1		NLA
14	PT13744	PLUG	1		
15	M87862	BUSHING	1		
16	M800006	DOWEL PIN	2		
17	M87801	PLUG	1		Plug, 12
17	M809592	PIPE PLUG	1		D40
18	19M7774	SCREW	3		M6 X 12
19	M89140	SHAFT	1		
20	M89139	PLATE	1		
21	40M7080	SNAP RING	1		
22	19M7774	SCREW	2		M6 X 12
23	CH10568	PACKING	2		
24	M87879	BOLT	8		
25	AM100718	BEARING KIT	4		MAIN, STD
25	AM100732	BEARING KIT	4		.25 MM (.010"), MAIN, US
26	AM100719	BEARING KIT	2		THRUST
27	M89143	GUIDE	1		DIPSTICK



MP30738

John Deere > Turf And Utility > UTILITY VEHICLE > PROGATOR - UTILITY VEHICLE > 2020A ProGator Utility Vehicle > 20 ENGINE TCM11423 (- 060000) > ST463910 - CYLINDER HEAD, VALVES AND ROCKER ARMS (- 060000)

KEY	PART NO.	PART NAME	QTY	Serial No.	REMARKS
1	AM881391	CYLINDER HEAD	1		
2	M87818	SNAP RING	2		
3	14M7194	NUT	1		M6
4	M87841	SCREW	1		
5	ROCKER ARM	1		EXHAUST (ORDER AM881396)
6	AM881396	ROCKER ARM	3		EXHAUST
7	14M7273	NUT	2		M8
8	M810606	SUPPORT	3		
9	M87836	STUD	2		
10	14M7194	NUT	1		M6
11	M87841	SCREW	1		
12	ROCKER ARM	1		INTAKE (ORDER AM881395)
13	AM881395	ROCKER ARM	3		INTAKE
14	M87892	SPRING	2		
15	19M7800	SCREW	1		M8 X 50
16	M87893	SCREW	1		
17	19M7864	SCREW	2		M8 X 12
18	TCU13583	HOSE CLAMP	2		
19	VG11662	HOSE	1		BREATHER
20	CH10348	NUT	2		
21	CH10568	PACKING	2		
22	M807038	TUBE	1		CONNECTING
23	M805710	CAP	1		
24	M805711	PACKING	1		
25	VALVE COVER	1		(ORDER AM880492)
26	M87854	GASKET	1		VALVE COVER
27	M805697	GASKET	1		
28	M87837	DEFLECTOR	1		
29	M807374	SCREW	4		
30	AM880492	VALVE COVER	1		
31	400R	BALL	2		6.350 mm
32	SHAFT	1		(ORDER AM100749)
33	AM100749	ROCKER ARM SHAFT	1		
34	CH19780	BOLT	1		



Suggest:

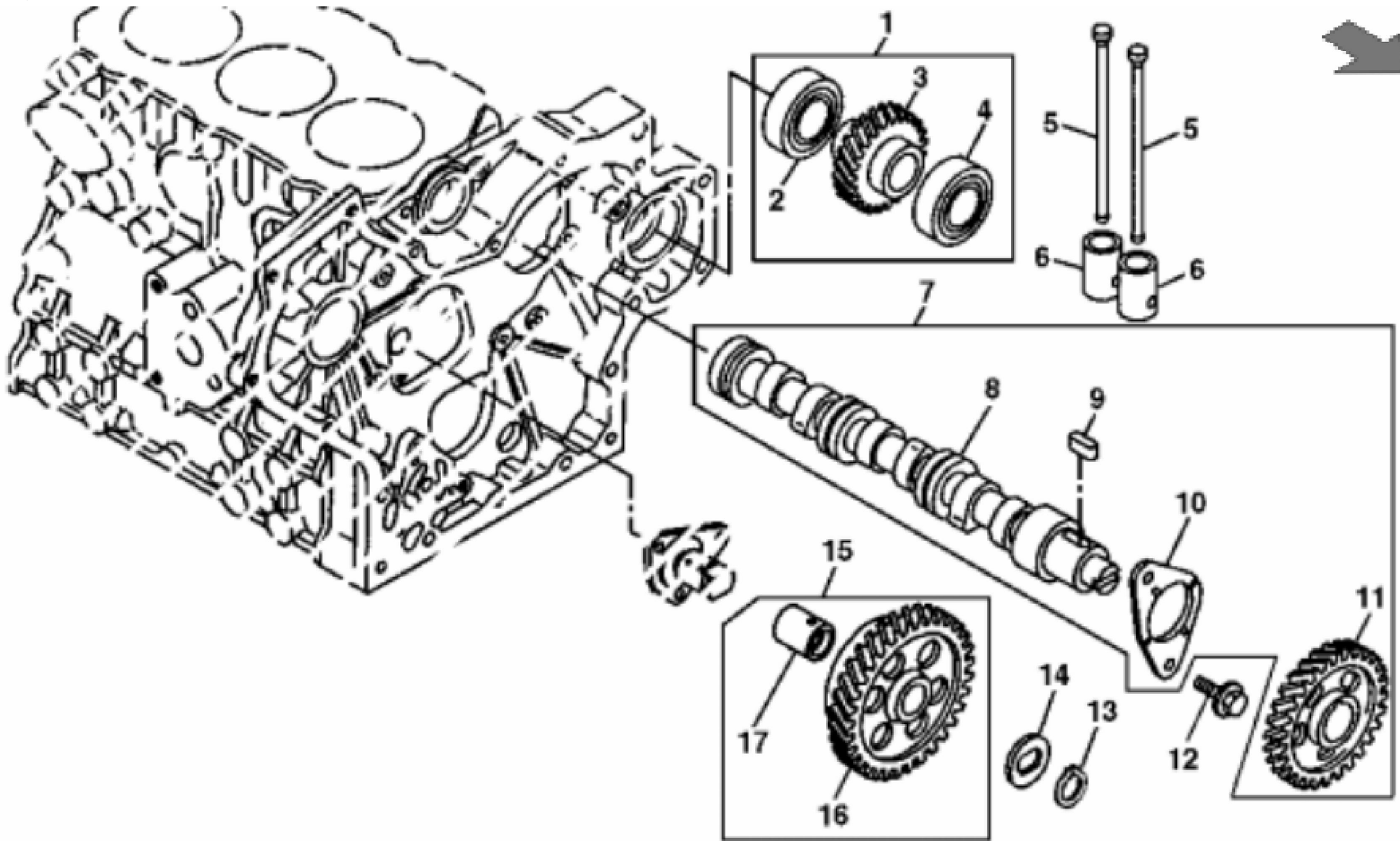
For more complete manuals. Please go to the home page.

<https://www.ebooklibonline.com>

If the above button click is invalid. Please download this document first, and then click the above link to download the complete manual.

Thank you so much for reading

KEY	PART NO.	PART NAME	QTY	Serial No.	REMARKS
35	M96527	BRACKET	2	____-011029	
35	MIU800462	BRACKET	1	011030-____	
36	M87831	PLUG	1		
37	CH16747	PLUG	2		
38	CH12585	CAP	6		
39	AM100828	RETAINER KIT	6		VALVE RETAINER
40	M87835	HOLDER	6		
41	M87834	SPRING	6		
42	CH10346	SEAL	6		
43	M87863	GUIDE	6		
44	14M7298	FLANGE NUT	2		M8
45	M89136	STUD	2		
46	CYLINDER HEAD	1		(ORDER AM881391)
47	CH16751	PLUG	2		
48	CH18079	SPRING PIN	1		
49	M87832	INTAKE VALVE	3		
50	M810605	EXHAUST VALVE	3		
51	M802226	VALVE SEAT	3		INTAKE
52	M810603	VALVE SEAT	3		NLA; ORDER MIU801744; Exhaust
52	MIU801744	VALVE SEAT	3		
53	MIU800461	BRACKET	1		(SUB FOR M800066)
54	CH19780	BOLT	2		
55	M809208	BRACKET	1		
56	19M7774	SCREW	4		M6 X 12
57	12M7065	LOCK WASHER	2		8 mm
58	CH10061	RIVET	4		SERIAL NUMBER PLATE



MP30739

<https://www.ebooklibonline.com>

Hello dear friend!

Thank you very much for reading.

Enter the link into your browser.

The full manual is available for immediate download.

<https://www.ebooklibonline.com>