

MP21358

John Deere > Turf And Utility > UTILITY VEHICLE > PROGATOR - UTILITY VEHICLE > 2020 and 2030 ProGator Utility Vehicle > 20 ENGINE (GAS) (3TG72-JUV) > ST576526 - CYLINDER BLOCK AND MAIN BEARINGS (ENGINE MARKED 3TG72-JUV)

KEY	PART NO.	PART NAME	QTY	REMARKS
1	CYLINDER BLOCK	1	(ORDER AM126410)
2	M87866	BOLT	14	
3	M805826	ENGINE CYLINDER HEAD GASKET	1	
4	CH18079	SPRING PIN	2	
5	M809593	PLUG	1	
6	M802255	PIN	2	
7	30M7023	PLUG	6	
8	M802643	PLUG	1	
9	M802254	PIN	2	
10	AM100856	SWITCH	1	OIL PRESSURE
11	M112792	DRAIN PLUG	1	
12	M89126	GASKET	1	
13	M89125	PLUG	1	NLA
14	EPC200680	PLUG	1	
15	M87862	BUSHING	1	
16	M800006	DOWEL PIN	2	
17	M87801	PLUG	1	
18	19M7774	SCREW	3	M6 X 12
19	M89140	SHAFT	1	
20	M89139	PLATE	1	
21	40M7080	SNAP RING	1	
22	19M7774	SCREW	2	M6 X 12
23	CH10568	PACKING	2	
24	M87879	BOLT	8	
25	AM100718	BEARING KIT	4	MAIN, STD
25	AM100732	BEARING KIT	4	.25 MM (.010") US, MAIN
26	AM100719	BEARING KIT	2	THRUST
27	M89143	GUIDE	1	
..	AM126410	GASOLINE ENGINE	1	(MARKED 3TG72-JUV), (SUB AM132783) (ALSO ORDER M810620 AND M810621)

<https://www.ebooklibonline.com>

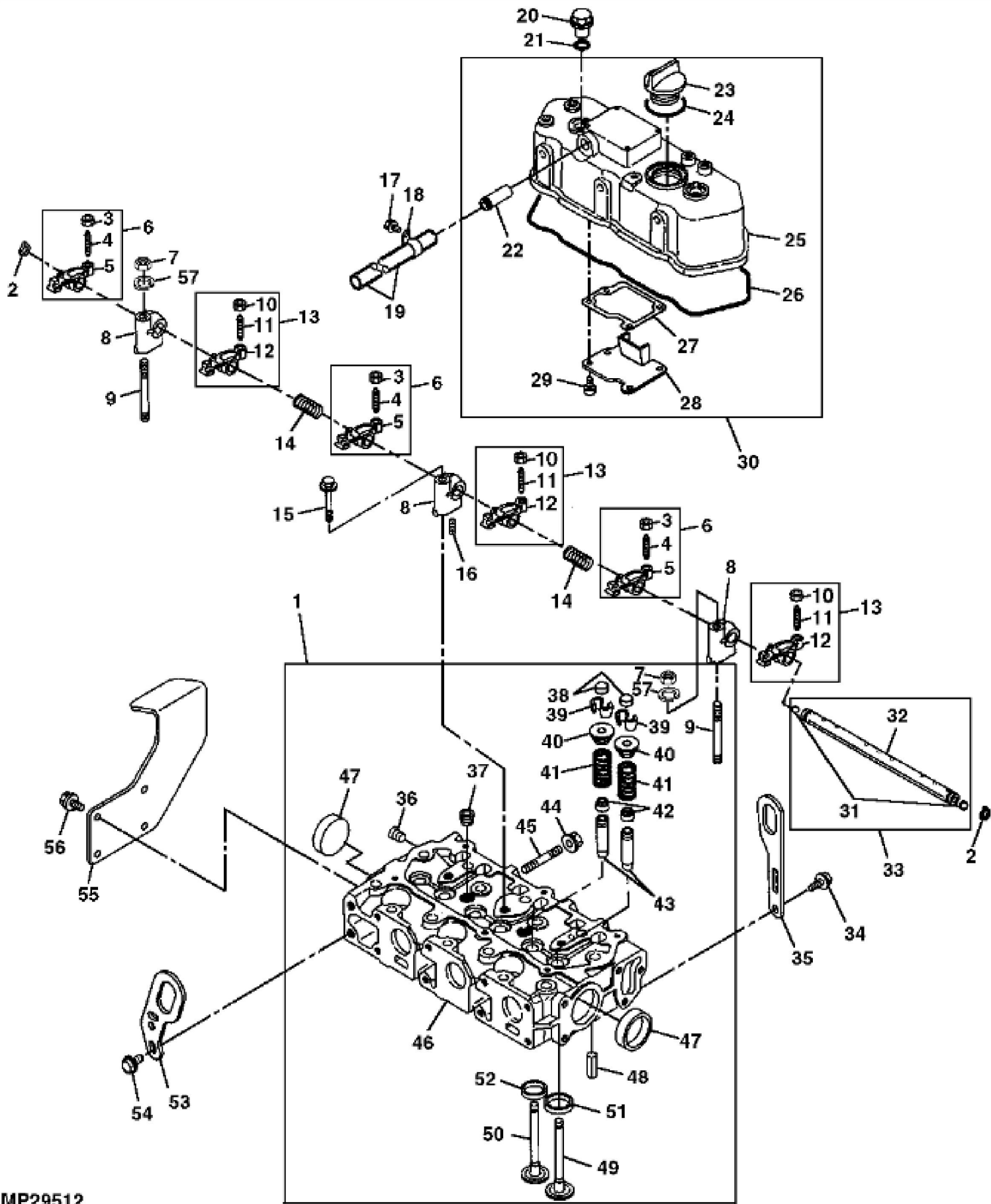
Hello dear friend!

Thank you very much for reading.

Enter the link into your browser.

The full manual is available for immediate download.

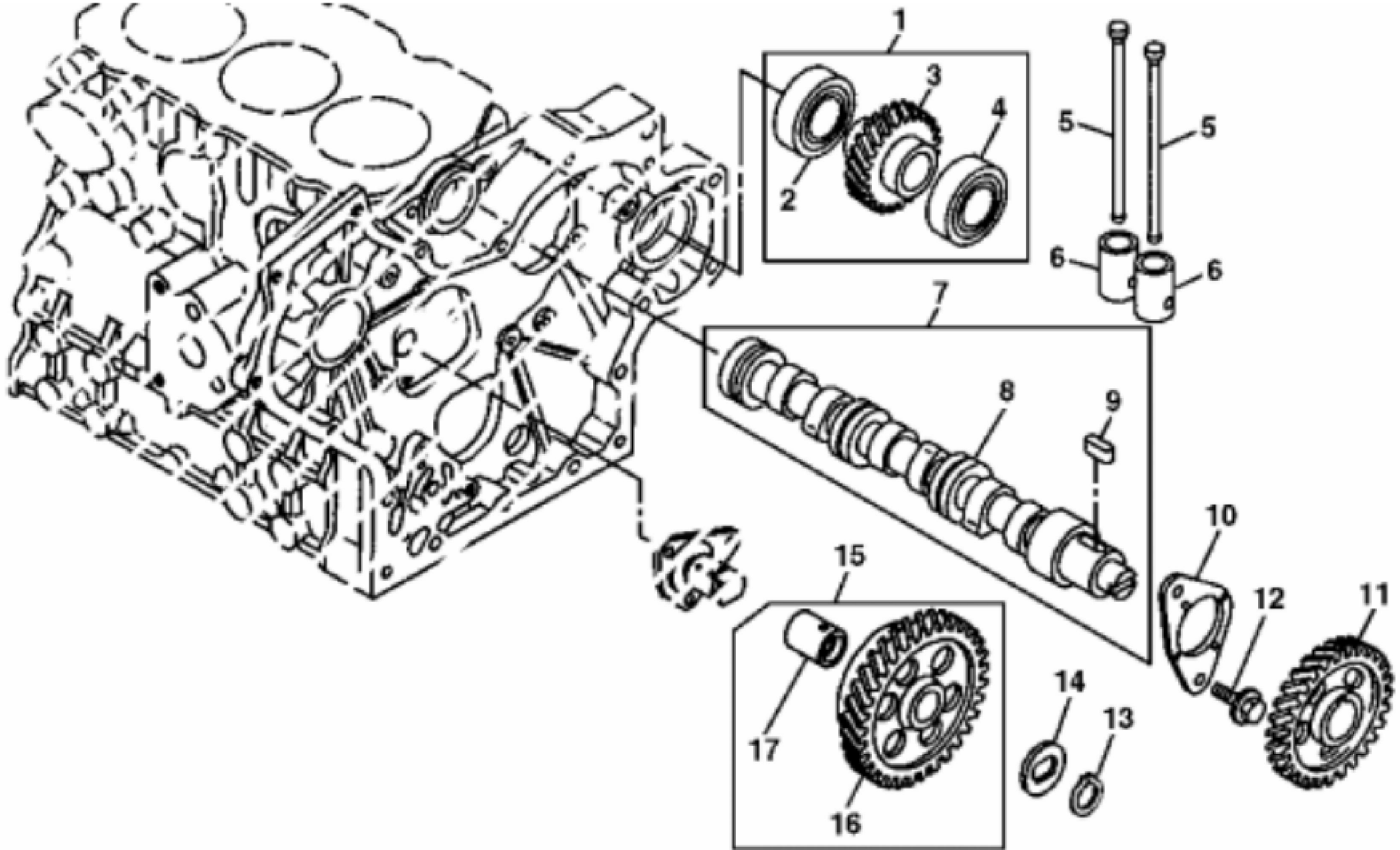
<https://www.ebooklibonline.com>



John Deere > Turf And Utility > UTILITY VEHICLE > PROGATOR - UTILITY VEHICLE > 2020 and 2030 ProGator Utility Vehicle > 20 ENGINE (GAS) (3TG72-JUV) > ST576527 - CYLINDER HEAD, VALVES AND
 ROCKER ARMS (ENGINE MARKED 3TG72-JUV)

KEY	PART NO.	PART NAME	QTY	REMARKS
1	AM876098	CYLINDER HEAD	1	
2	M87818	SNAP RING	2	
3	14M7194	NUT	1	M6
4	M87841	SCREW	1	
5	ROCKER ARM	1	EXHAUST
6	AM100736	ARM	3	EXHAUST
7	14M7273	NUT	2	M8
8	M87891	SUPPORT	3	
9	M87836	STUD	2	
10	14M7194	NUT	1	M6
11	M87841	SCREW	1	
12	ROCKER ARM	1	INTAKE
13	AM100735	ARM	3	INTAKE
14	M87892	SPRING	2	
15	CH19101	BOLT	1	
16	M87893	SCREW	1	
17	19M7864	SCREW	1	M8 X 12
18	CH10331	CLAMP	1	
19	CH15409	PIPE	1	
20	CH10348	NUT	2	
21	CH10568	PACKING	2	
22	M807038	HOSE	1	BREATHER
23	M805710	CAP	1	
24	M805711	PACKING	1	
25	VALVE COVER	1	
26	M87854	GASKET	1	VALVE COVER
27	M805697	GASKET	1	
28	M87837	DEFLECTOR	1	
29	M807374	SCREW	4	
30	AM880492	VALVE COVER	1	
31	BALL	2	
32	SHAFT	1	
33	AM100749	ROCKER ARM SHAFT	1	
34	CH19780	BOLT	1	

KEY	PART NO.	PART NAME	QTY	REMARKS
35	M801020	STRAP	1	
36	M87831	PLUG	1	
37	15H559	PIPE PLUG	2	1/4"
38	CH12585	CAP	6	
39	AM100828	RETAINER KIT	6	VALVE RETAINER
40	M87835	HOLDER	6	
41	M87834	SPRING	6	
42	CH10346	SEAL	6	
43	M87863	GUIDE	6	
44	14M7298	FLANGE NUT	2	M8
45	M89136	STUD	2	
46	CYLINDER HEAD	1	
47	CH16751	PLUG	2	
48	CH18079	SPRING PIN	1	
49	M87832	INTAKE VALVE	3	
50	M802228	EXHAUST VALVE	3	
51	M802226	VALVE SEAT	3	
52	M802227	VALVE SEAT	3	
53	MIU800461	BRACKET	1	(SUB FOR M800066)
54	CH19780	BOLT	2	
55	M809208	BRACKET	1	
56	19M7774	SCREW	4	M6 X 12
57	12M7065	LOCK WASHER	2	8 mm
..	CH10061	RIVET	4	SERIAL NUMBER PLATE



MP21360



Suggest:

For more complete manuals. Please go to the home page.

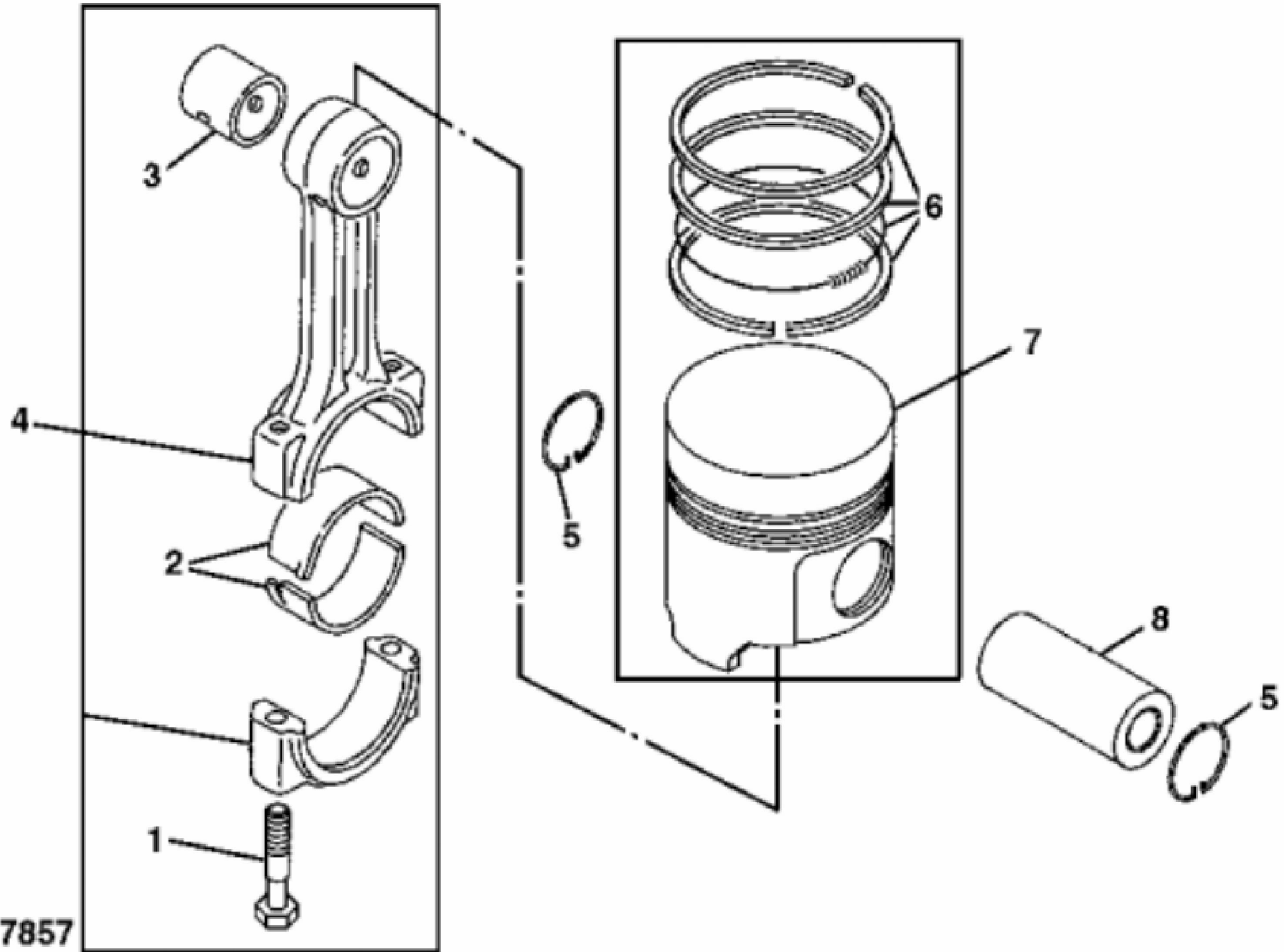
<https://www.ebooklibonline.com>

If the above button click is invalid. Please download this document first, and then click the above link to download the complete manual.

Thank you so much for reading

John Deere > Turf And Utility > UTILITY VEHICLE > PROGATOR - UTILITY VEHICLE > 2020 and 2030 ProGator Utility Vehicle > 20 ENGINE (GAS) (3TG72-JUV) > ST576528 - CAMSHAFT AND DRIVING GEARS
 (ENGINE MARKED 3TG72-JUV)

KEY	PART NO.	PART NAME	QTY	REMARKS
1	AM879198	GEAR	1	H.O. PUMP
2	M807352	BEARING	1	
3	GEAR	1	
4	CH15491	BALL BEARING	1	
5	M806348	PUSH ROD	6	
6	M87813	TAPPET	6	
7	AM876099	CAMSHAFT	1	
8	CAMSHAFT	1	
9	M87812	SHAFT KEY	1	
10	M87810	FLANGE	1	
11	M87811	GEAR	1	CAMSHAFT
12	19M7774	SCREW	2	M6 X 12
13	40M7080	SNAP RING	1	
14	M89139	PLATE	1	
15	AM875078	GEAR	1	IDLER
16	GEAR	1	
17	M800300	BUSHING	1	



MP17857

<https://www.ebooklibonline.com>

Hello dear friend!

Thank you very much for reading.

Enter the link into your browser.

The full manual is available for immediate download.

<https://www.ebooklibonline.com>