

MP32516

John Deere > Turf And Utility > MOWER, REEL-MOUNTED > 1905 - MOWER, REEL-MOUNTED > 1905 Large Area Reel Mower > 20 ENGINE DMM210211 > ST501715 - CYLINDER BLOCK AND MAIN BEARINGS

KEY	PART NO.	PART NAME	QTY	REMARKS
1	M801186	BOLT	18	
2	M806518	ENGINE CYLINDER HEAD GASKET	1	
3	AM881831	CYLINDER BLOCK	1	
4	CH10335	PLUG	2	
5	CH10314	PLUG	1	
6	M802255	PIN	4	
7	PLUG	1	
8	CH18079	SPRING PIN	2	
9	30M7023	PLUG	8	
10	15H562	PIPE PLUG	1	1"
11	MIU800573	CAMSHAFT	1	BUSH (SUB FOR M800977)
12	M811055	SHAFT	1	
13	19M8317	SCREW	2	M8 X 40
14	M87801	PLUG	2	
15	M800974	PIPE	2	
16	AM875373	BEARING KIT	2	NLA; ORDER MIA880555
16	MIA880555	BEARING	2	
17	MIA880554	BEARING	4	(STD) (SUB FOR AM881821)
17	MIA880550	BEARING	4	0.25MM (0.010") US, (SUB FOR AM875374)
18	BEARING CAP	3	
19	M801189	BOLT	10	
20	BEARING CAP	1	
21	CH10335	PLUG	1	
22	M811084	SPACER	1	
23	M809565	DRAIN PLUG	1	Not Illustrated
..	AM881832	SHORT BLOCK ASSEMBLY	1	(SUB FOR AM133235)
..	MIA882693	SHORT BLOCK ASSEMBLY	1	SUB FOR AM881832

<https://www.ebooklibonline.com>

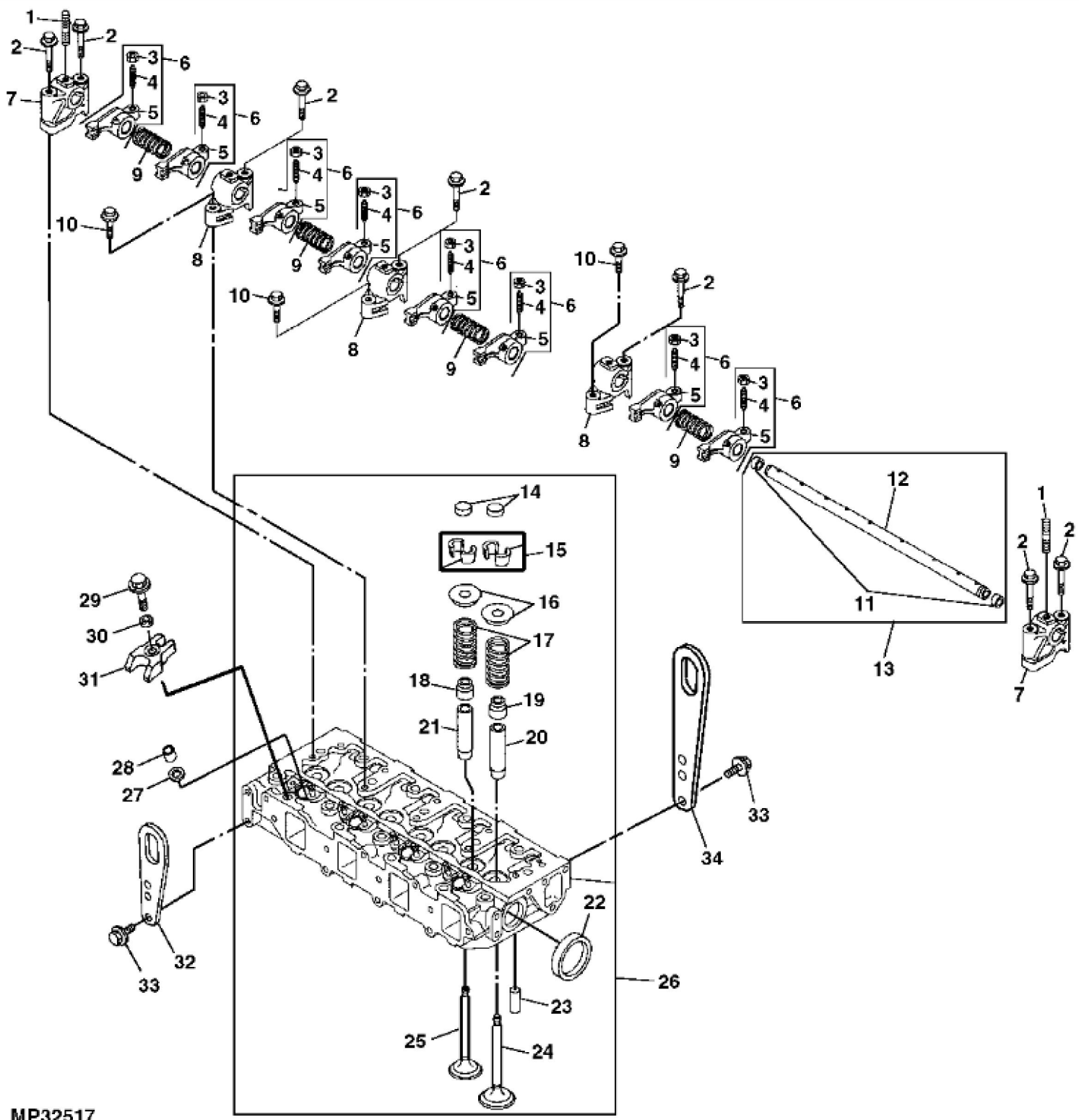
Hello dear friend!

Thank you very much for reading.

Enter the link into your browser.

The full manual is available for immediate download.

<https://www.ebooklibonline.com>

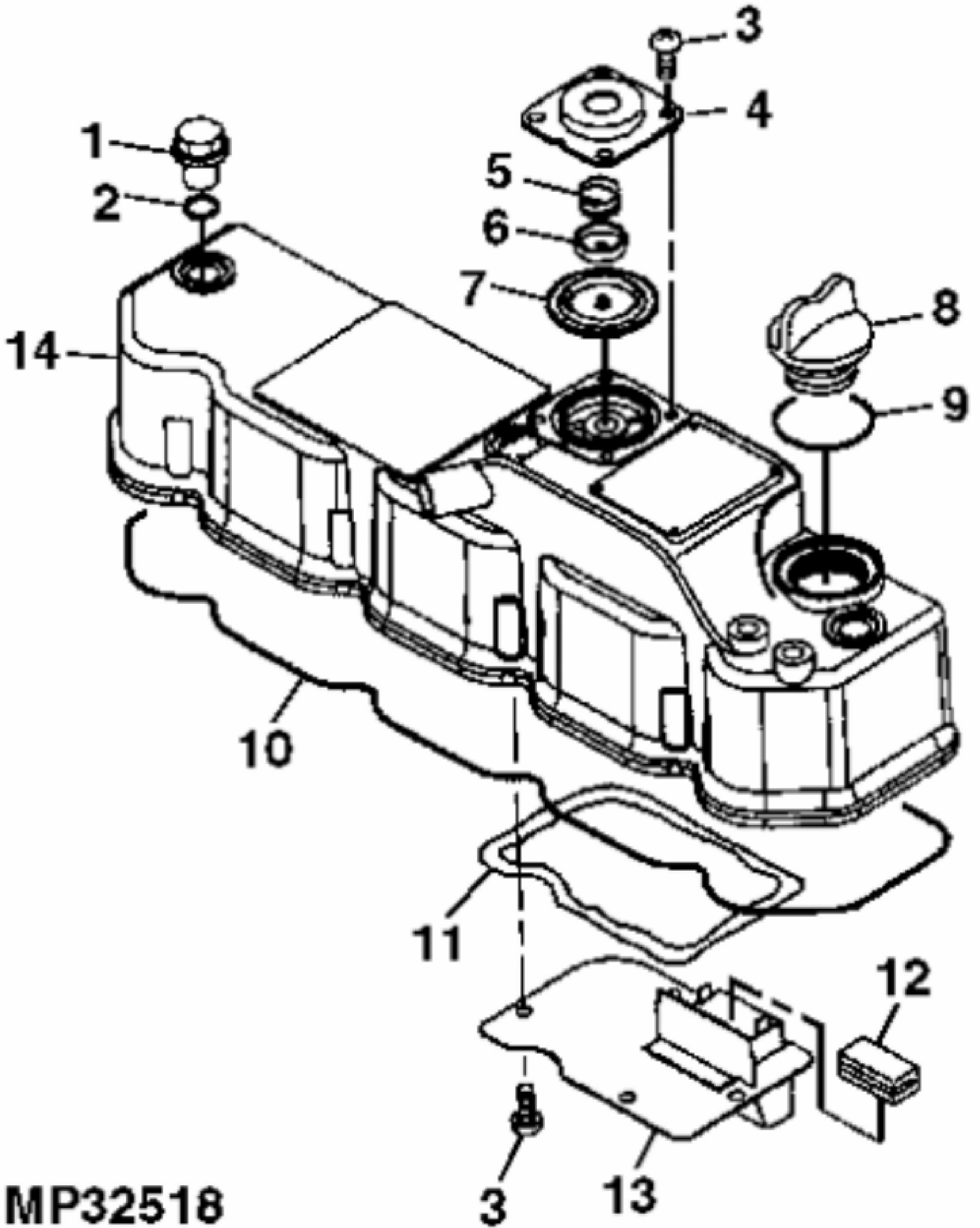


MP32517

John Deere > Turf And Utility >MOWER, REEL-MOUNTED >1905 - MOWER, REEL-MOUNTED >1905 Large Area Reel Mower >20 ENGINE DMM210211 >ST501971 - CYLINDER HEAD, VALVES AND
ROCKER ARMS

KEY	PART NO.	PART NAME	QTY	REMARKS
1	M801024	STUD	3	(A)
2	19M7800	SCREW	7	M8 X 50
3	M801028	NUT	1	(A)
4	M801027	SCREW	1	(A)
5	ROCKER ARM	1	(A)
6	AM881820	ROCKER ARM	8	(A)
7	M811050	SUPPORT	2	(A), ROCKER ARM
8	M811051	SUPPORT	3	(A), ROCKER ARM
9	M801025	SPRING	4	
10	19M7867	SCREW	3	M8 X 25
11	M800002	PLUG	2	
12	ROCKER ARM SHAFT	1	
13	M811121	SHAFT	1	(A), ROCKER ARM
14	M801224	CAP	8	
15	AM878862	RETAINER KIT	8	(2 PER PKG), VALVE RETAINER
16	M801223	RETAINER	8	SPRING
17	M801222	SPRING	8	VALVE
18	T110650	SEAL	4	EXHAUST
19	CH10450	SEAL	4	INTAKE
20	M801227	GUIDE	4	INTAKE
21	M801228	GUIDE	4	EXHAUST
22	CH16751	PLUG	2	
23	CH18079	SPRING PIN	2	
24	M811086	INTAKE VALVE	4	
25	M801221	EXHAUST VALVE	4	
26	AM881802	CYLINDER HEAD	8	
27	M801017	VALVE SEAT	4	
28	M811052	SHIELD	4	
29	19M7897	SCREW	4	M8 X 35
30	M811080	WASHER	4	
31	M811088	RETAINER	4	
32	M811037	LIFT ARM	1	
33	CH19780	BOLT	4	
34	AT211695	LIFT ARM	1	

KEY	PART NO.	PART NAME	QTY	REMARKS	
..	AM881804	ROCKER ARM SHAFT	1	(INCLUDES PARTS MARKED (A))	



MP32518



Suggest:

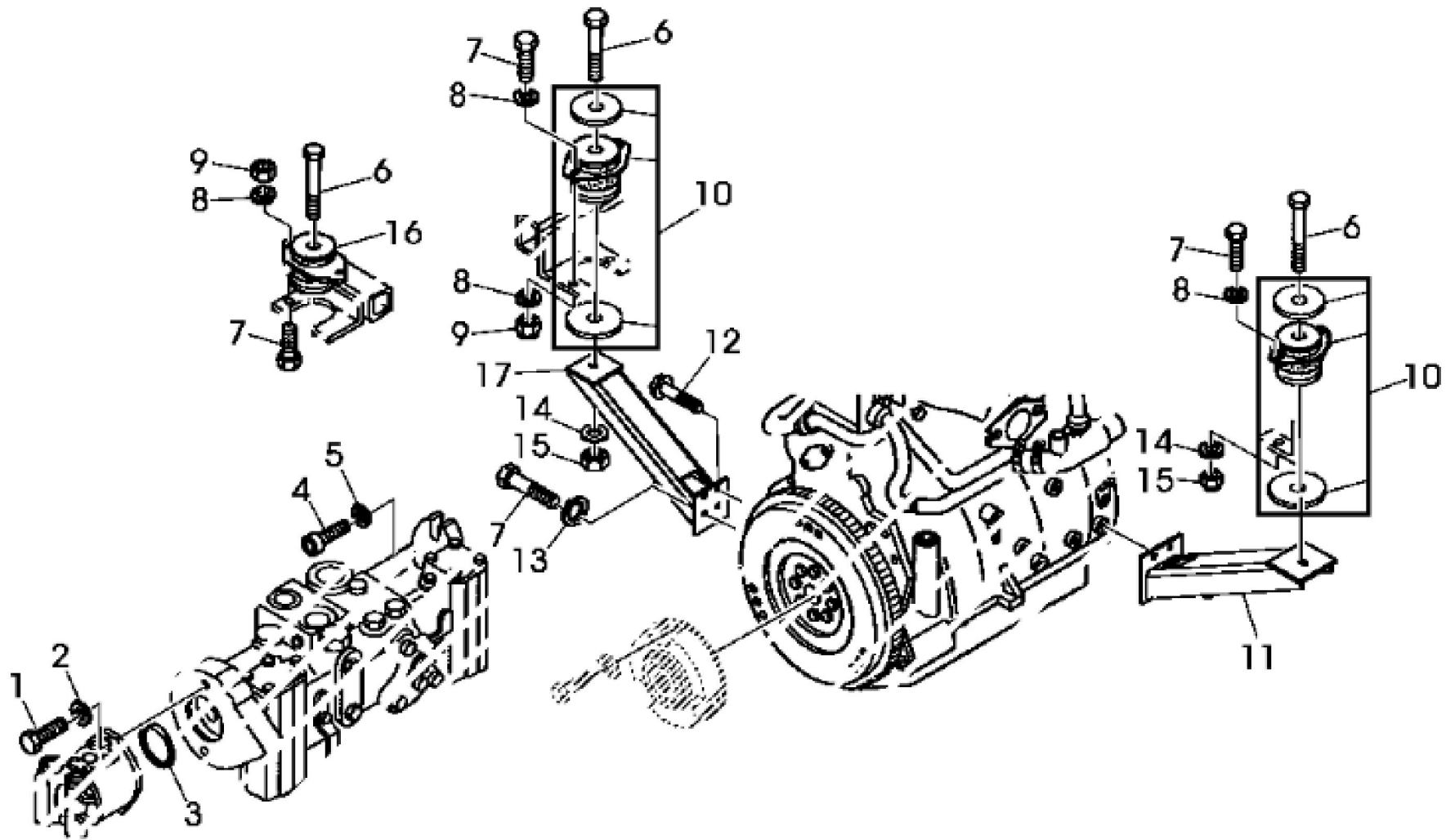
For more complete manuals. Please go to the home page.

<https://www.ebooklibonline.com>

If the above button click is invalid. Please download this document first, and then click the above link to download the complete manual.

Thank you so much for reading

KEY	PART NO.	PART NAME	QTY	REMARKS	
1	CH10348	NUT	3		
2	CH10568	PACKING	3		
3	M807374	SCREW	8	(A)	
4	M811047	COVER	1	(A)	
5	M811049	SPRING	1	(A)	
6	M811046	PLATE	1	(A)	
7	M811048	DIAPHRAGM	1	(A)	
8	M805710	CAP	1	BREATHER	
9	M805711	PACKING	1		
10	M811123	GASKET	1		
11	M64850	SEALANT	1	2.8 OZ, TUBE)	
12	M801032	DEFLECTOR	1	(A), BREATHER	
13	M811085	PLATE	1	(A)	
14	VALVE COVER	1	(A)	
..	AM881803	VALVE COVER	1	(INCLUDES PARTS MARKED (A))	



PU01621

<https://www.ebooklibonline.com>

Hello dear friend!

Thank you very much for reading.

Enter the link into your browser.

The full manual is available for immediate download.

<https://www.ebooklibonline.com>