

MP16211

KEY	PART NO.	PART NAME	QTY	Serial No.	REMARKS
1	19M8318	SCREW	14		M8 X 45
2	M73817	VALVE	1		
3	W40494	PLATE	1		
4	M95848	SCREW	2		
5	19M8290	SCREW	2		M6 X 35
6	W40499	O-RING	2		
7	W40493	CASE	1		
8	W40491	GASKET	1		(A)
9	AM119991	CYLINDER HEAD	1		
10	W40420	GUIDE	1		
11	M96547	GUIDE	1		
12	M70010	SNAP RING	2		
13	M97289	SEAL	1		(A)
14	M70227	PIN	2		
15	M88987	SEAL	1		
16	M119138	GASKET	1		(A)
17	M119141	CRANKCASE	1		
18	M74252	PIN	2		
19	M119139	GASKET	1		(A)
20	PT18249	SEAL	1		(A)
21	M120220	COVER	1		
22	W40497	BALL BEARING	1		
23	M88447	STUD	4		
24	W40495	ISOLATOR	1		
25	19H1875	CAP SCREW	4	____-190000	5/16" X 1-3/4"
25	19H3130	CAP SCREW	4	190001-____	5/16" X 1-3/4"
26	24H1136	WASHER	4		11/32" X 11/16" X 0.065"
27	T16464	LOCK NUT	4		
28	MIU11641	DRAIN PLUG	1		(SUB FOR M119144)
29	M119144	DRAIN PLUG	1		(SUB MIU11641)
29	M113396	PLUG	1	209202-____	
30	M88476	GASKET	2		(A)
..	AM119041	GASKET KIT	1		(INCLUDES PARTS MARKED (A))
..	AM119621	SHORT BLOCK ASSEMBLY	1		
..	AM121133	GASOLINE ENGINE	1		KAWASAKI FE290D-AS11 (SUB AM135055)

<https://www.ebooklibonline.com>

Hello dear friend!

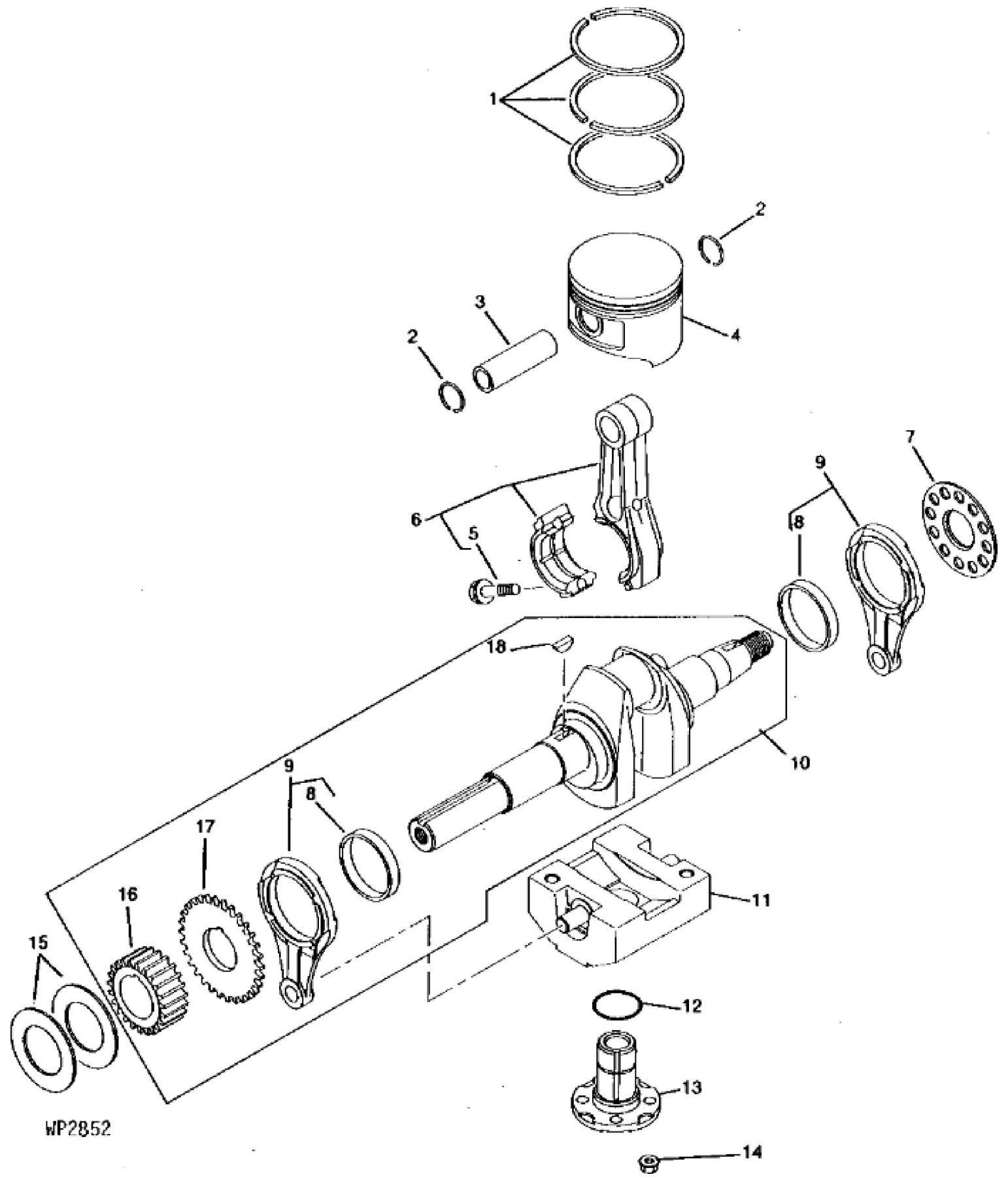
Thank you very much for reading.

Enter the link into your browser.

The full manual is available for immediate download.

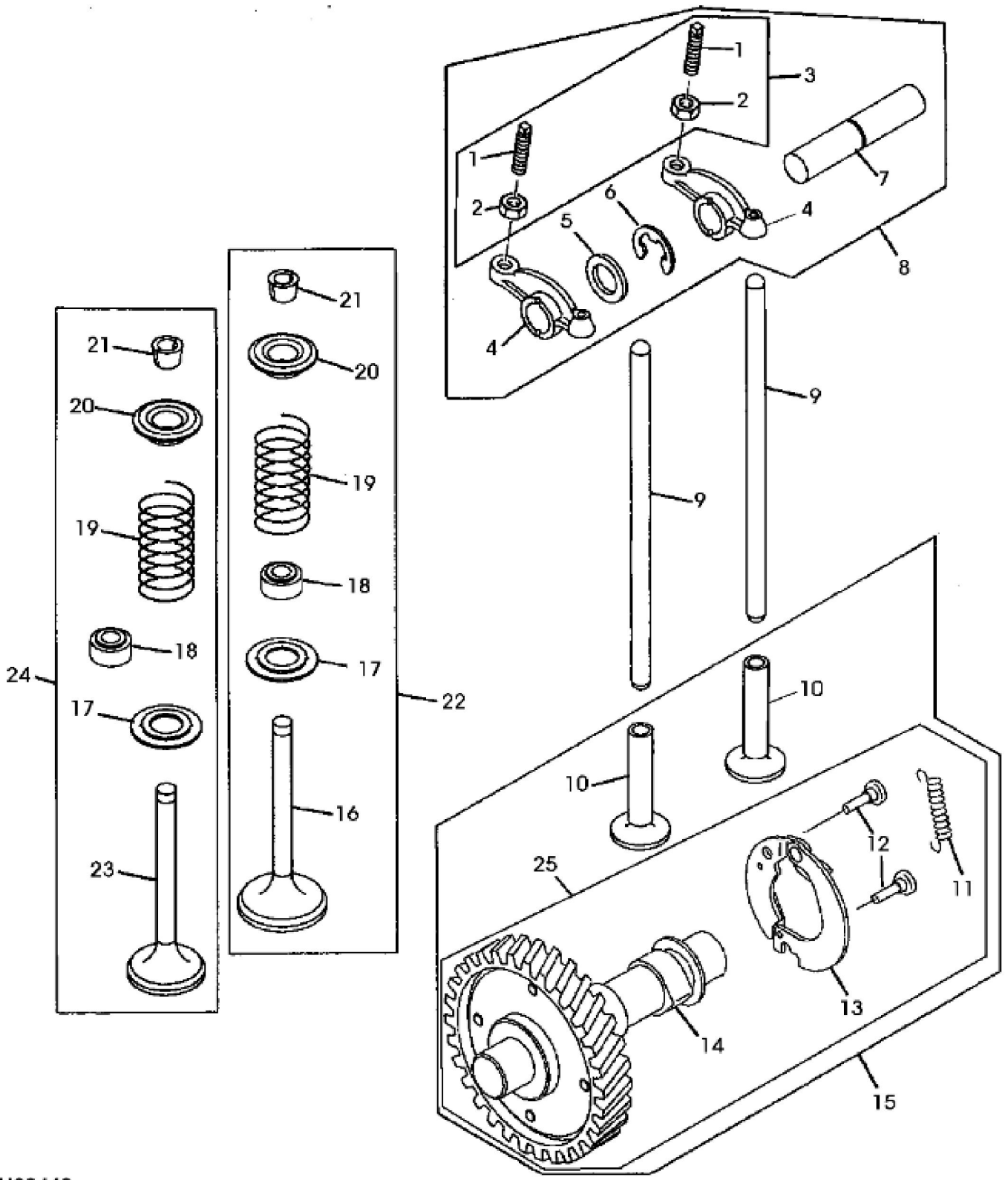
<https://www.ebooklibonline.com>

KEY	PART NO.	PART NAME	QTY	Serial No.	REMARKS
..	AM122338	GASOLINE ENGINE	1		(VEHICLE SERIAL NO. XXXXXX-926465) KAWASAKI FE290D-BS11 (SUB AM135055)
..	AM123286	SHORT ENGINE	1		(VEHICLE SERIAL NO. 926466-) KAWASAKI FE290D-CS11 (SUB AM135055)
..	AM135055	GASOLINE ENGINE	1		KAWASAKI FE290D-DS11 (SUB MIA10685)
..	MIA10685	GASOLINE ENGINE	1		NLA, KAWASAKI FE290D-ES11 (INCLUDES MIA10723) (SUB MIA11225 OR AM119621)
..	MIA11225	GASOLINE ENGINE	1	____-170315	NLA; ORDER AM119621; INCLUDES MIA10723; MARKED FE290D-FS11
..	MIA11764	GASOLINE ENGINE	1	170316-____	49STATE, (MARKED FE290D-GS11)



WP2852

KEY	PART NO.	PART NAME	QTY	REMARKS
1	AM102610	PISTON RING KIT	1	
1	AM102612	PISTON RING	AR	0.50 MM (.020") OS
2	M70220	WIRE	2	
3	M70219	PISTON PIN	1	
4	MIU14328	PISTON	1	SUB FOR M119153
4	M119174	PISTON	AR	0.50 MM (.020") OS
5	M147310	BOLT	2	SUB FOR PT12040
6	MIA10721	CONNECTING ROD	1	SUB FOR PT18253
6	MIA10722	CONNECTING ROD	1	0.50 MM (.020") US ;; SUB FOR AW26861
7	M70226	SPACER	1	
8	M70265	BEARING	2	
9	AM107155	ROD	2	
10	AM119022	CRANKSHAFT	1	
11	AW26833	WEIGHT	1	
12	M70096	O-RING	1	
13	M70095	SHAFT	1	
14	M70097	NUT	4	
15	AM102616	SHIM	AR	1.13 - 1.53 MM (.044" - .060"), PKG OF 8, KIT
16	M119175	HELICAL GEAR	1	
17	M70222	SPUR GEAR	1	
18	M77843	SHAFT KEY	1	
19	PT12040	BOLT	2	Not Illustrated



PU00449



Suggest:

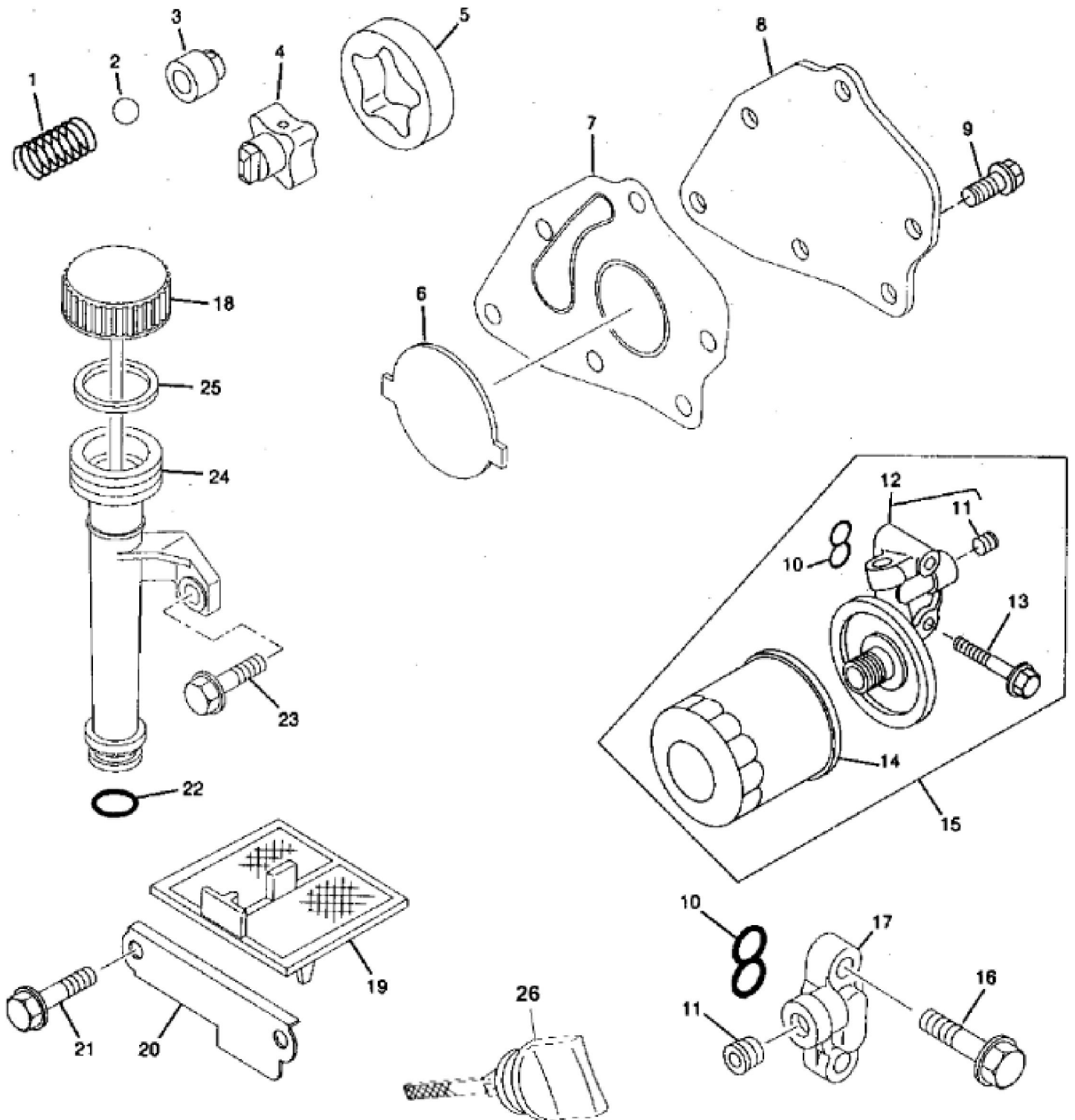
For more complete manuals. Please go to the home page.

<https://www.ebooklibonline.com>

If the above button click is invalid. Please download this document first, and then click the above link to download the complete manual.

Thank you so much for reading

KEY	PART NO.	PART NAME	QTY	REMARKS
1	M76091	SCREW	2	
2	M76092	NUT	2	
3	AM109394	KIT	1	NLA
4	W40428	ROCKER ARM	2	
5	W40507	WASHER	1	
6	W40430	CLIP	1	
7	W40429	ROCKER ARM SHAFT	1	
8	AM109395	ROCKER ARM	1	
9	M70212	PUSH ROD	2	
10	M70213	TAPPET	2	
11	M70044	WIRE	1	
12	M70043	PIN	2	
13	PLATE	1	(ORDER AM119023)
14	CAMSHAFT	1	(ORDER AM119023)
15	AM119036	KIT	1	NO LONGER AVAILABLE (SUB AM119023 AND (2) M70213)
16	M72002	INTAKE VALVE	1	
17	M70033	WIRE	2	
18	M70034	SEAL	2	
19	M70206	SPRING	2	
20	M72322	WIRE	2	
21	AM132412	RETAINER KIT	2	
22	AM116041	VALVE TRAIN KIT	1	(INTAKE VALVE) NLA; ORDER AM132412, M70033, M70206, M70034, M72002 AND M72322; Intake Valve
23	W40427	EXHAUST VALVE	1	
24	AM109192	EXHAUST VALVE	1	(EXHAUST VALVE) NLA (SUB AM132412, M70033, M70034, M70206, M72322 AND W40427)
25	AM119023	CAMSHAFT	1	



<https://www.ebooklibonline.com>

Hello dear friend!

Thank you very much for reading.

Enter the link into your browser.

The full manual is available for immediate download.

<https://www.ebooklibonline.com>