

John Deere > Construction And Forestry >DOZER, CRAWLER >6135HT010 - DOZER, CRAWLER >1050K Crawler Dozer (PIN: 1T01050K_DXXXXXX-) >04B ENGINE 6135HT010-DZ105091 >0400B ENGINE 6135HT010-DZ105091 6135HT010 >ST765530 - 4610 CYLINDER BLOCK

KEY	PART NO.	PART NAME	QTY	REMARKS
1	RE570135	PISTON-LINER KIT	6	(FT4) PISTON MARKED RE561885
1	RE559263	PISTON-LINER KIT	6	(IT4) PISTON MARKED RE544914
1	RE559262	PISTON-LINER KIT	6	(Tier 3) PISTON MARKED R517128; SUB FOR RE530808
2	RE547712	O-RING KIT	1	
3	R535114	SHIM	1	
4	R116466	PLUG	1	
5	RE46684	FITTING PLUG	2	
6	51M7041	O-RING	1	11.300 X 2.200 mm
7	R524857	PLUG	2	ID = 9.0 mm, SUB FOR R504174
8	T21937	PLUG	2	
9	R539554	PLUG	1	SUB FOR R529706
10	...	CYLINDER BLOCK	1	MARKED R528160; ORDER RE560634
10	RE560634	SHORT BLOCK ASSEMBLY	1	
11	R529786	CAP SCREW	14	
12	R518501	BEARING CAP	6	
13	R518573	BEARING CAP	1	
14	AT107509	PLUG	1	ID = 6.5 mm
15	R502753	PLUG	1	
16	64M5024	DRAIN PLUG	1	
17	51M7048	O-RING	1	29.600 X 2.900 mm
18	RE539116	FITTING	1	
19	51M7047	O-RING	1	23.600 X 2.900 mm

<https://www.ebooklibonline.com>

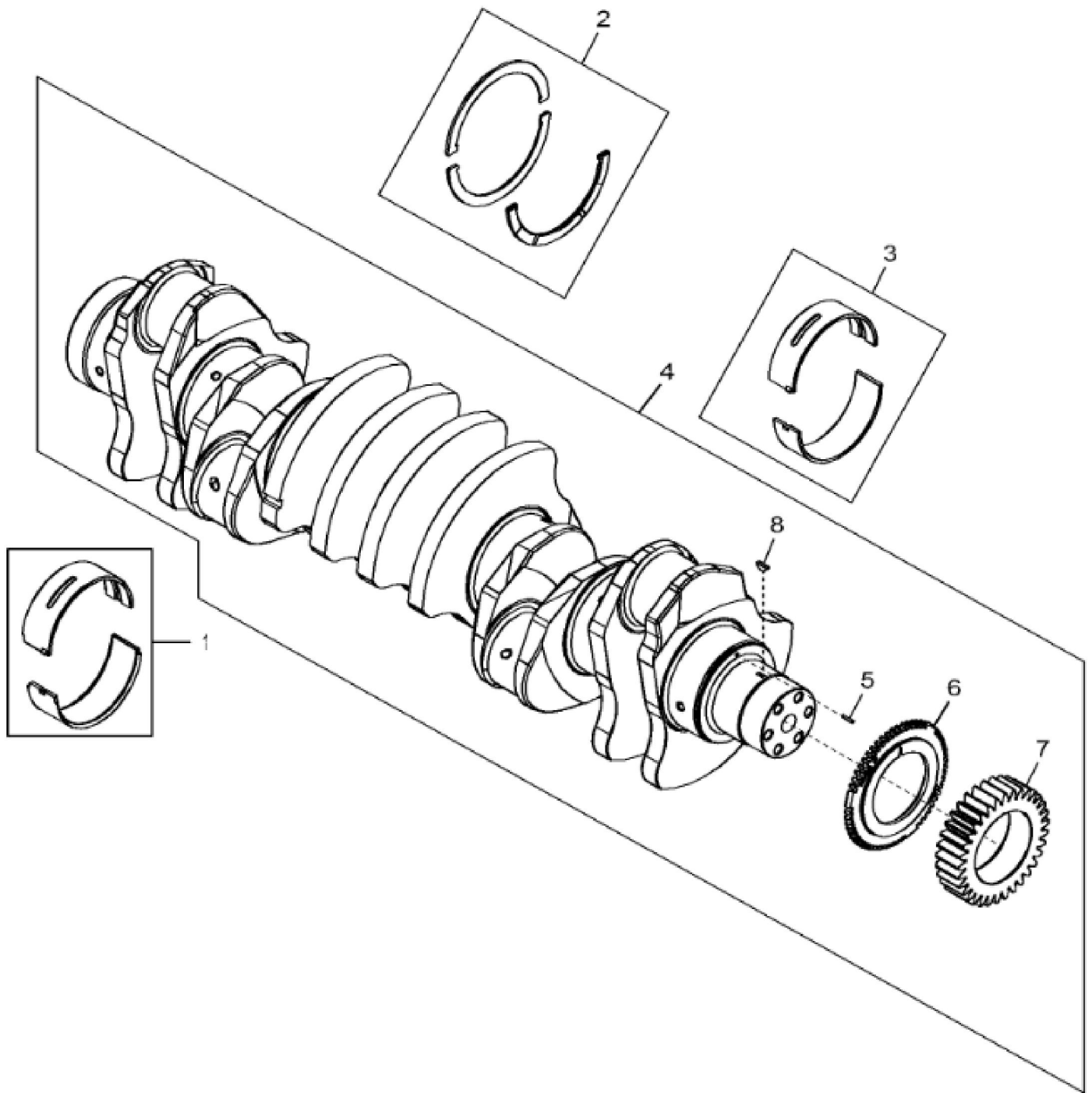
Hello dear friend!

Thank you very much for reading.

Enter the link into your browser.

The full manual is available for immediate download.

<https://www.ebooklibonline.com>



John Deere > Construction And Forestry >DOZER, CRAWLER >6135HT010 - DOZER, CRAWLER >1050K Crawler Dozer (PIN: 1T01050K_DXXXXXX-) >04B ENGINE 6135HT010-DZ105091 >0400B ENGINE 6135HT010-DZ105091 6135HT010 >ST163443 - 4703 CRANKSHAFT AND BEARINGS

KEY	PART NO.	PART NAME	QTY	REMARKS
1	RE530786	BEARING KIT	1	KIT; R517069 AND R517070; SUB FOR RE63905
2	RE530885	WASHER KIT	1	
3	RE530785	BEARING KIT	6	KIT; R517065 AND R517068; SUB FOR RE63903
4	RE539339	CRANKSHAFT	1	MARKED R519559
4	SE502681	CRANKSHAFT REMAN	1	(With Bearings) REMAN FOR RE539339
5	34M7129	SPRING PIN	1	3 X 16 mm
6	R528501	WHEEL	1	
7	R529684	GEAR	1	Z = 33
8	26M4224	SHAFT KEY	1	4 X 16 mm, SUB FOR R73866



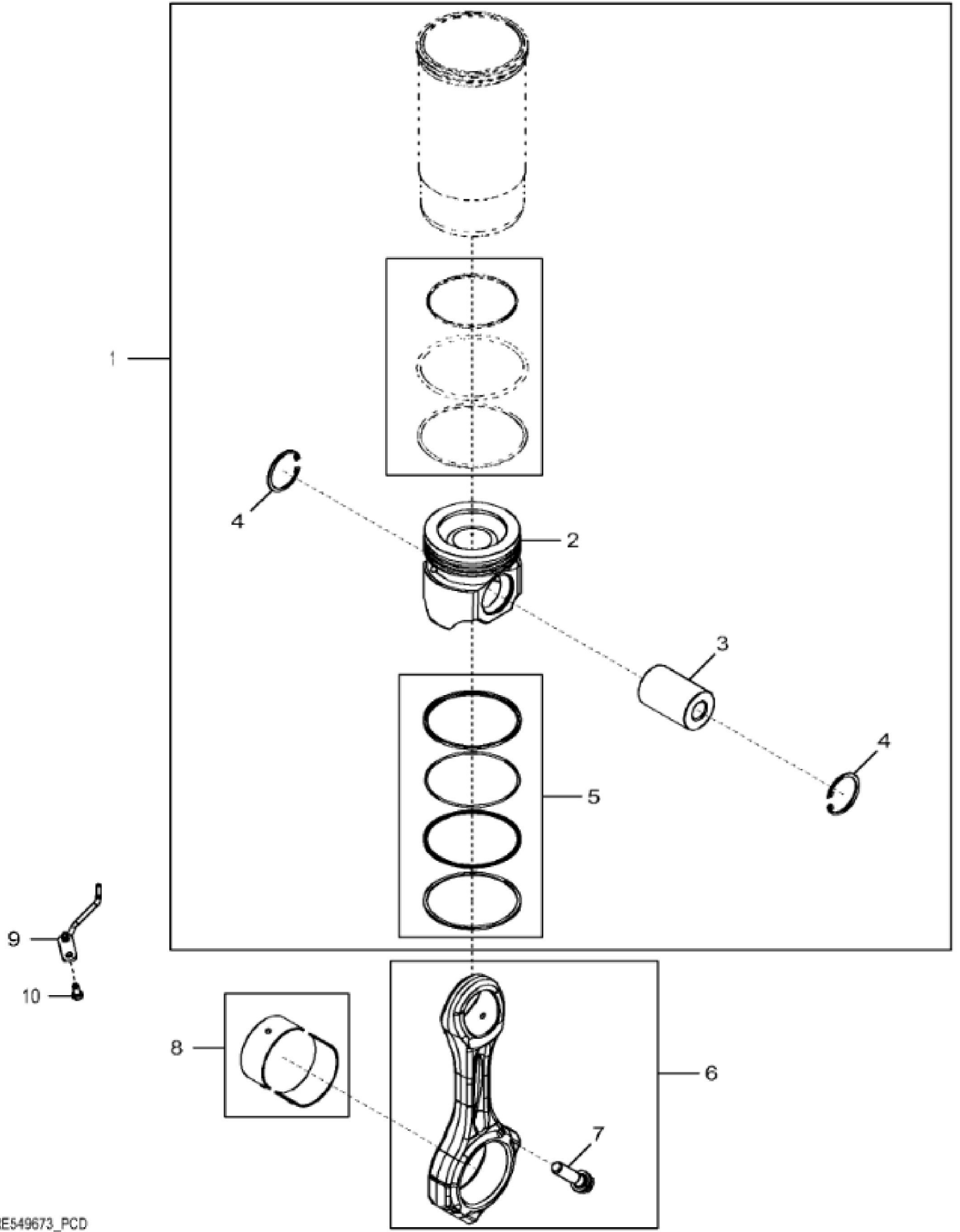
Suggest:

For more complete manuals. Please go to the home page.

<https://www.ebooklibonline.com>

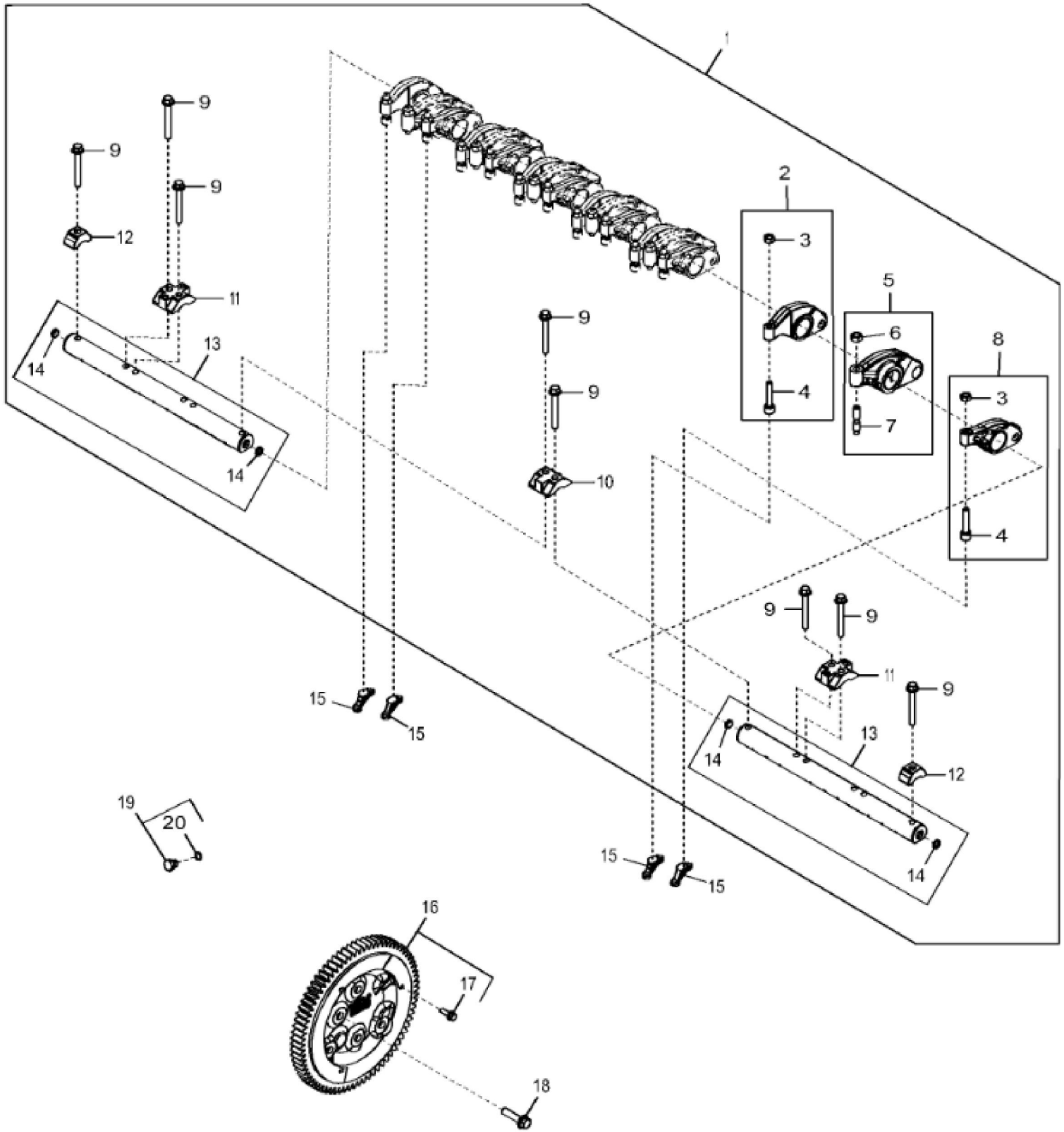
If the above button click is invalid. Please download this document first, and then click the above link to download the complete manual.

Thank you so much for reading



John Deere > Construction And Forestry >DOZER, CRAWLER >6135HT010 - DOZER, CRAWLER >1050K Crawler Dozer (PIN: 1T01050K_DXXXXXX-) >04B ENGINE 6135HT010-DZ105091 >0400B ENGINE 6135HT010-DZ105091 6135HT010 >ST777847 - 4809 CONNECTING RODS AND PISTONS

KEY	PART NO.	PART NAME	QTY	REMARKS
1	RE570135	PISTON-LINER KIT	1	
2	PISTON	6	MARKED RE561885; ORDER RE570135
3	DZ101960	PISTON PIN	6	SUB FOR R517149
4	40M7201	SNAP RING	12	
5	RE548110	PISTON RING KIT	1	
6	RE549596	CONNECTING ROD	6	
6	RM100065	CONNECTING ROD REMAN	1	REMAN FOR RE549596
7	R501380	CAP SCREW	2	
8	RE562584	BEARING KIT	6	KIT; R517067 AND R534189
8	RE531768	BEARING KIT	6	0.25 mm; US, INCLUDES R524610 AND R524613
8	RE531769	BEARING KIT	6	0.50 mm; US, INCLUDES R524611 AND R524614
9	RE529378	NOZZLE	6	
10	RE530324	SELF-LOCKING SCREW	6	



<https://www.ebooklibonline.com>

Hello dear friend!

Thank you very much for reading.

Enter the link into your browser.

The full manual is available for immediate download.

<https://www.ebooklibonline.com>