

John Deere > Construction And Forestry >DOZER, CRAWLER >1050J - DOZER, CRAWLER >1050J Crawler >04 ENGINE >0404 CYLINDER BLOCK >ST30108 - ENGINE CYLINDER BLOCK AND MAIN BEARING CAPS

KEY	PART NO.	PART NAME	QTY	REMARKS
1	LW10116162	SHORT BLOCK ASSEMBLY	1	
2	AT276882	PLUG	5	
3	AT274036	PLUG	12	
4	AT314883	SELF-LOCKING SCREW	2	
5	LW7382203	PIPE PLUG	6	
6	AT266609	PLUG	2	
7	PMH3085	SELF-LOCKING SCREW	2	SUB FOR LW7362698
7	PMH3831	FITTING	1	
9	LW9074798	PIN FASTENER	12	
16	LW10011832	VALVE	1	
17	AT279935	SEALING RING	1	
20	LW9073745	BUSHING	7	
25	AT275334	BOLT	14	
26	AT275341	SPACER	14	
31	LW10147409	COVER	1	SUB FOR LW10147269, LW9078880 AND LW9076564
32	LW7381361	O-RING	2	
36	19M9448	SCREW	2	M10 X 20

**<https://www.ebooklibonline.com>**

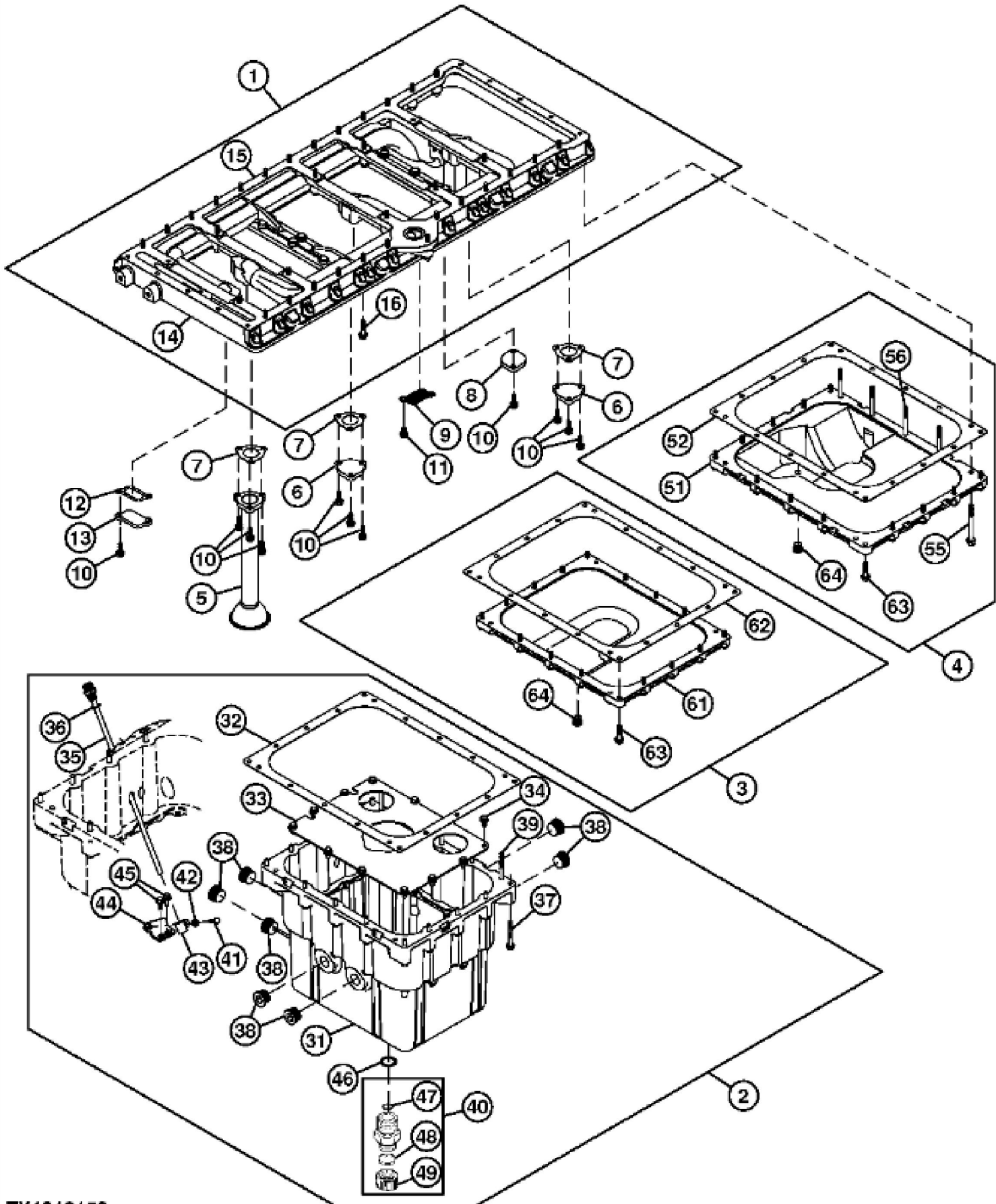
Hello dear friend!

Thank you very much for reading.

Enter the link into your browser.

The full manual is available for immediate download.

**<https://www.ebooklibonline.com>**



TX1016153

John Deere > Construction And Forestry >DOZER, CRAWLER >1050J - DOZER, CRAWLER >1050J Crawler >04 ENGINE >0407 ENGINE OILING SYSTEM >ST30109 - ENGINE OIL PAN, DIPSTICK AND TUBE, AND OIL PAN DRAIN VALVE

KEY	PART NO.	PART NAME	QTY	REMARKS
1	LW10118702	STEP	1	
2	LW9079482	OIL PAN	1	
3	LW9079491	PLATE	1	
4	LW9079958	OIL PAN	1	
5	LW10145779	OIL TUBE	1	NLA, SUB FOR LW9079128
6	LW9079122	COVER	2	
7	LW9079124	GASKET	3	
8	AT311904	COVER	1	
9	LW9079126	STRAINER	1	
10	19M9569	SCREW	13	M8 X 25
11	19M9446	SCREW	2	M8 X 12
12	LW9079125	GASKET	1	
13	LW9079123	COVER	1	
14	LW10118656	LADDER	1	
15	LW10123734	GASKET	1	SUB FOR LW10118549
16	LW10333554	SCREW	34	
31	LW10123868	OIL PAN	1	SUB FOR LW9079481
32	LW10123735	GASKET	1	SUB FOR LW9079556 AND LW10118551
33	LW9079494	PLATE	1	
34	19M9567	SCREW	12	M8 X 16, SUB FOR LW10005511
35	LW9079845	FITTING	1	
36	AT260902	RING	1	
37	19M10239	SCREW	13	M8 X 65, SUB FOR LW10100304
38	AT320741	DRAIN PLUG	7	
39	LW10017158	SCREW	5	
40	AT218506	DRAIN VALVE	1	
41	19M7923	CAP SCREW	1	M6 X 12, SUB FOR 19M6614
42	24M7088	WASHER	1	6.600 X 12 X 1.600 mm
43	AT274709	CLIP	1	
44	LW9079844	BRACKET	1	
45	19M9443	SCREW	1	M6 X 16, SUB FOR LW407350208
46	AT218825	SEALING WASHER	1	
47	R104558	O-RING	1	
48	AT218659	SEALING WASHER	1	



**Suggest:**

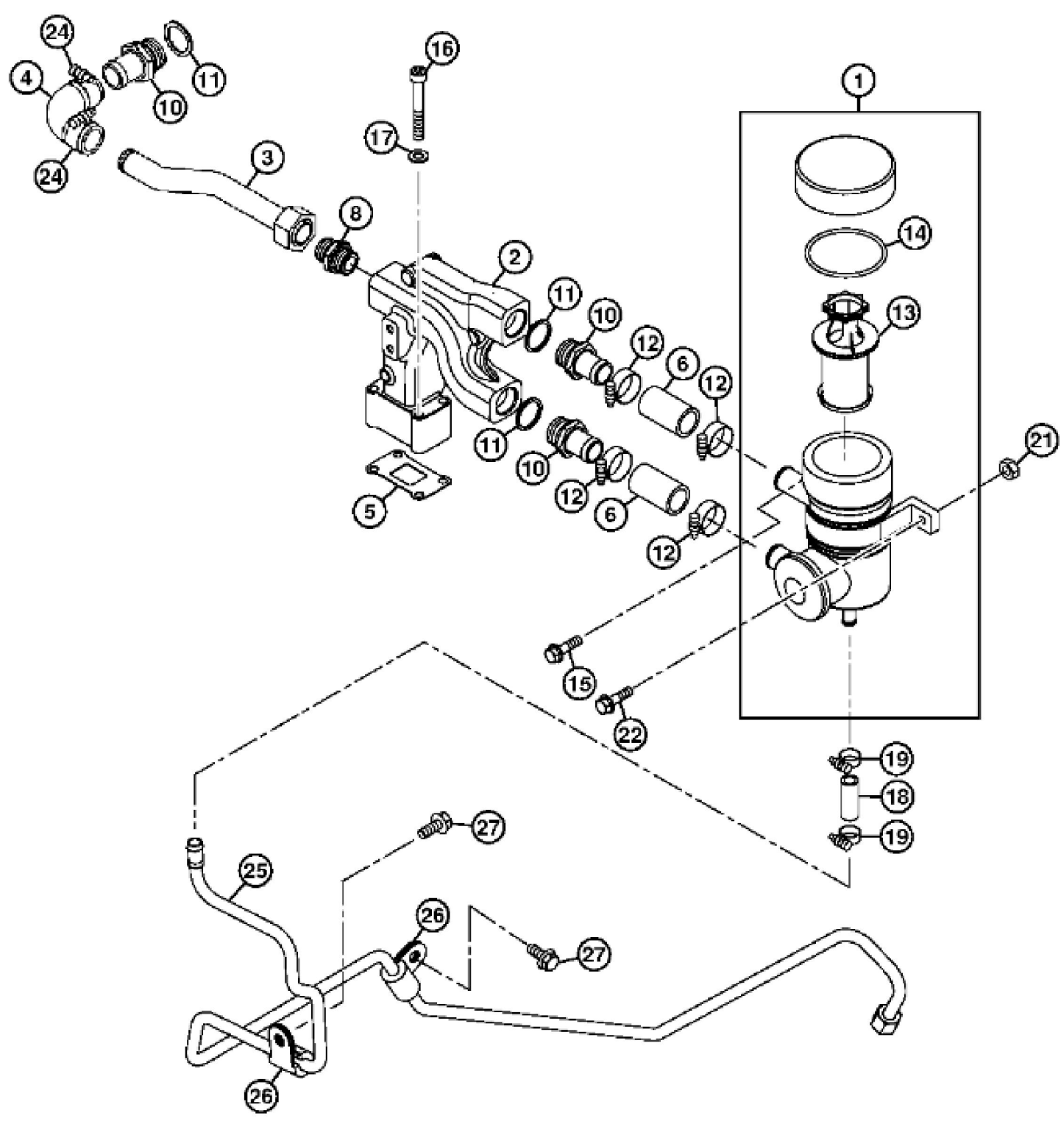
**For more complete manuals. Please go to the home page.**

**<https://www.ebooklibonline.com>**

**If the above button click is invalid. Please download this document first, and then click the above link to download the complete manual.**

**Thank you so much for reading**

KEY	PART NO.	PART NAME	QTY	REMARKS	
49	AT218722	CAP	1		
51	LW10123873	PLATE	1	SUB FOR LW9079959	
52	LW10123735	GASKET	1	SUB FOR LW9079556 AND LW10118551	
55	LW10100303	CAP SCREW	5		
56	LW10017158	SCREW	1	SUB FOR LW10011260	
61	LW9079555	PLATE	1		
62	LW10123735	GASKET	1	SUB FOR LW9079556 AND LW10118551	
63	19M7897	SCREW	16	M8 X 35	
64	AT266609	PLUG	1		



TX1014282

John Deere > Construction And Forestry >DOZER, CRAWLER >1050J - DOZER, CRAWLER >1050J Crawler >04 ENGINE >0407 ENGINE OILING SYSTEM >ST30110 - ENGINE CRANKCASE BREATHER AND LINES (E.S.N.- 2006045711)

KEY	PART NO.	PART NAME	QTY	REMARKS
1	LW9075483	BREATHER	1	
2	LW9079009	HOUSING	1	
3	LW10117788	LINE	1	
4	LW10116310	HOSE	1	
5	LW9079130	GASKET	1	
6	AT275431	HOSE	2	
8	XGE22LMEDCF	FITTING	1	SUB FOR AT218841
8	PMH3831	FITTING	1	
10	LW9274720	HOSE FITTING	3	
11	LW10113731	SEAL	3	
12	AT218492	HOSE CLAMP	4	
13	LW10032835	FILTER ELEMENT	1	
14	LW10295116	O-RING	1	
15	19M9569	SCREW	1	M8 X 25
16	19M8658	SCREW	4	M8 X 60
17	24M7055	WASHER	4	8.400 X 16 X 1.600 mm, SUB FOR LW10017181
18	LW9079603	HOSE	1	
19	AT276902	HOSE CLAMP	2	
21	14M7273	NUT	1	M8
22	LW10016907	CAP SCREW	1	
24	AT274237	HOSE CLAMP	2	
25	LW9080854	LINE	1	
26	LW7382092	CLAMP	2	
27	19M9261	SCREW	2	M8 X 20

**<https://www.ebooklibonline.com>**

Hello dear friend!

Thank you very much for reading.

Enter the link into your browser.

The full manual is available for immediate download.

**<https://www.ebooklibonline.com>**