

John Deere > Construction And Forestry >DOZER, CRAWLER >1050C - DOZER, CRAWLER >1050C Crawler Dozer >04 ENGINE >0402 CAMSHAFT AND VALVE ACTUATING MEANS >ST122305 - CAMSHAFT AND CAMSHAFT GEARS

KEY	PART NO.	PART NAME	QTY	Serial No.	REMARKS
1	AT277760	RING	1		
2	AT276877	SOCKET HEAD SCREW	4		M8 X 30
3	AT277759	RING	1		
4	AT277824	GEAR	1		
5	AT277822	RING	1		
6	AT276894	SOCKET HEAD SCREW	8		M12 X 1.5 X 5
7	AT276895	PIN	1		M8 X 32
8	AT277827	CAMSHAFT	1		
9	AT276896	PIN	1		M8 X 22
10	AT277826	GEAR	1	____-005599	
10	AT300702	GEAR	1	005600-____	
11	19M8008	CAP SCREW	6		M8 X 35
12	LW10115870	GEAR	1	____-005599	(SUB FOR AT277823)
12	AT266650	GEAR	1	005600-____	
13	AT276896	PIN	1		M8 X 22
14	AT277715	GEAR	1	____-005599	
14	AT266651	GEAR	1	005600-____	

**<https://www.ebooklibonline.com>**

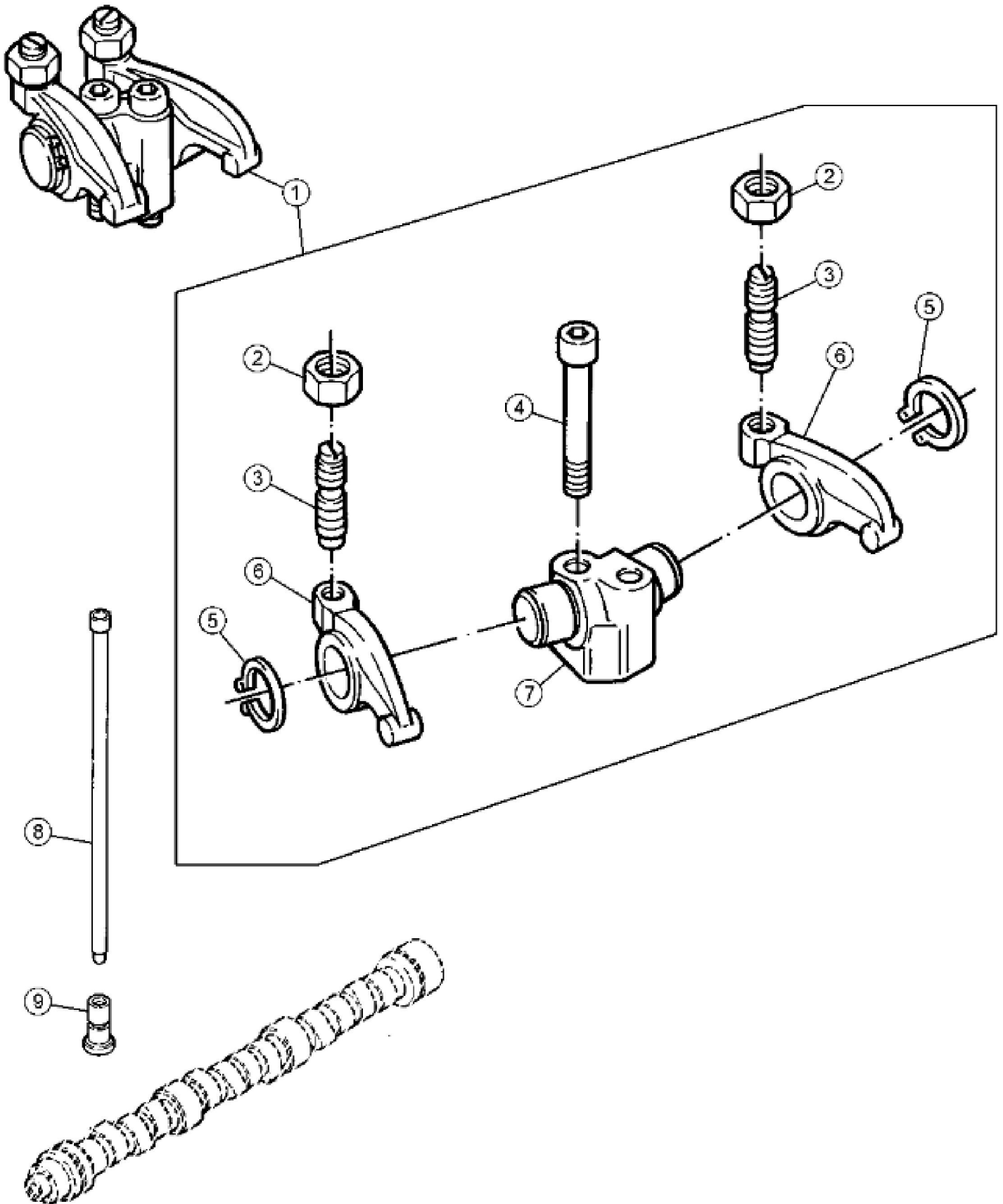
Hello dear friend!

Thank you very much for reading.

Enter the link into your browser.

The full manual is available for immediate download.

**<https://www.ebooklibonline.com>**



John Deere > Construction And Forestry >DOZER, CRAWLER >1050C - DOZER, CRAWLER >1050C Crawler Dozer >04 ENGINE >0402 CAMSHAFT AND VALVE ACTUATING MEANS >ST122306 - ROCKER ARMS, TAPPETS AND PUSH RODS

KEY	PART NO.	PART NAME	QTY	REMARKS
1	AT277776	BRACKET	10	
2	AT275329	NUT	10	
3	AT275330	SCREW	10	
4	AT274262	SOCKET HEAD SCREW	10	M10 X 75
5	AT276760	LOCKING COLLAR	10	
6	AT278335	ROCKER ARM	10	
7	AT277775	SUPPORT	5	
8	AT277806	ROD	12	
9	AT275435	TAPPET	12	



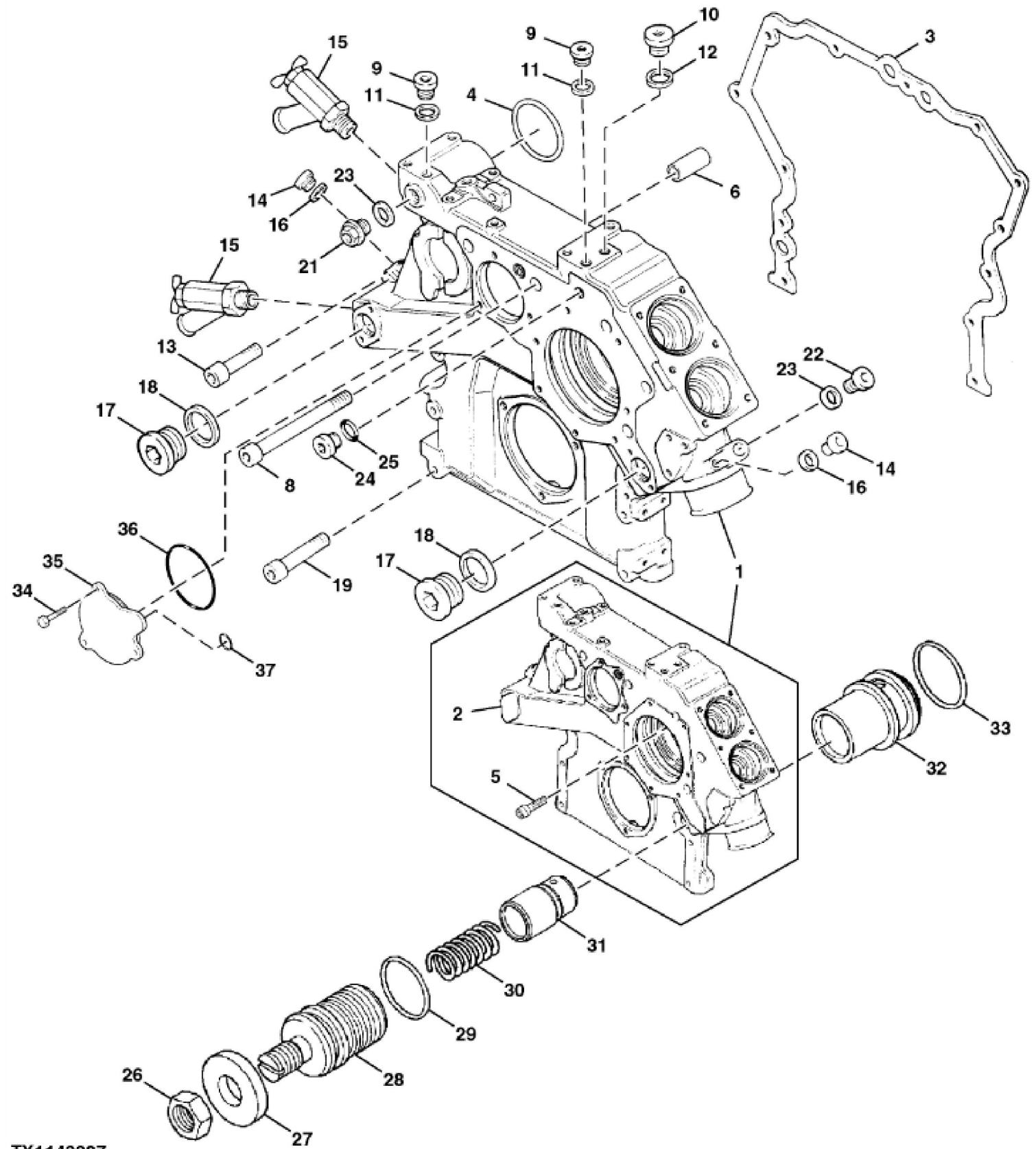
**Suggest:**

**For more complete manuals. Please go to the home page.**

**<https://www.ebooklibonline.com>**

**If the above button click is invalid. Please download this document first, and then click the above link to download the complete manual.**

**Thank you so much for reading**



John Deere > Construction And Forestry > DOZER, CRAWLER >1050C - DOZER, CRAWLER >1050C Crawler Dozer >04 ENGINE >0402 CAMSHAFT AND VALVE ACTUATING MEANS >ST122307 - ENGINE FRONT COVER, FRONT COVER GASKET AND ENGINE OIL PRESSURE REGULATING VALVE

KEY	PART NO.	PART NAME	QTY	REMARKS
1	...	COVER	1	(SERVICE WITH COMPONENTS)
2	AT278310	COVER	1	
3	AT277738	GASKET	1	
4	AT274733	O-RING	4	
5	AT277809	BOLT	1	
6	AT275352	SPACER	2	
8	AT276869	SOCKET HEAD SCREW	5	M10 X 110
9	AT266609	PLUG	3	
10	PMH3080	FITTING	1	SUB FOR AT261789
10	PMH3829	FITTING	1	
11	AT260902	RING	3	
12	AT274018	SEAL	1	
13	19M8412	SCREW	2	M10 X 55
14	PMH3079	FITTING	3	SUB FOR AT274534
14	PMH3828	FITTING	1	
15	AT274491	HAND OPERATED VALVE	2	
16	AT277056	SEAL	3	
17	AT276062	PIPE PLUG	2	M38 X 1.5
18	AT276179	SEAL	2	
19	AT276889	SOCKET HEAD SCREW	6	M10 X 85
21	AT277832	LINE	1	REDUCING STUB PIPE
22	AT277080	PIPE PLUG	1	
23	AT218825	SEALING WASHER	2	
24	PMH3085	FITTING	1	SUB FOR AT274552 AND LW7362698
24	PMH3831	FITTING	1	
25	AT277112	O-RING	1	
26	14M7260	NUT	1	M16
27	AT277766	WASHER	1	
28	AT277767	SCREW	1	
29	AT277116	O-RING	1	
30	AT275316	COMPRESSION SPRING	1	
31	AT275305	PISTON	1	
32	AT277749	VALVE SEAT	1	
33	AT277110	O-RING	1	

KEY	PART NO.	PART NAME	QTY	REMARKS	
34	19M7938	CAP SCREW	1	M10 X 20	
35	AT277764	COVER	1		
36	AT277733	O-RING	1		
37	AT277734	O-RING	1		

**<https://www.ebooklibonline.com>**

Hello dear friend!

Thank you very much for reading.

Enter the link into your browser.

The full manual is available for immediate download.

**<https://www.ebooklibonline.com>**