

TP30368

## HOSES [01C07]

KEY	PART NO.	PART NAME	QTY	REMARKS
2	4183995	CUSHION	4	(SUB FOR AT131720)
3	8045941	BRACKET	2	(SUB FOR AT132114)
4	4247426	BUSHING	2	(SUB FOR AT132006)
5	T56006	WASHER	2	(SUB FOR AT121240)
6	J932215	BOLT	2	(SUB FOR AT131550)
7	J951022	NUT	2	(SUB FOR TH102457)
8	4114405	WASHER	8	(SUB FOR TH101105)
9	19H2588	CAP SCREW	8	5/8" X 1-7/8"
11	4245453	ISOLATOR	4	(SUB FOR AT131999)
12	7020937	BRACKET	1	(SUB FOR AT132054)
13	4236515	BUSHING	2	(SUB FOR AT131959)
14	19M7954	CAP SCREW	2	M16 X 150, (SUB FOR AT131549)
15	14M7276	NUT	2	M16
16	4114405	WASHER	2	(SUB FOR TH101105)
17	T12637	SCREW	4	(SUB FOR 19H2473)
18	4086891	WASHER	4	(SUB FOR 12H301, THIS APPLICATION) (SUB FOR TH104166)
25	AT131661	HOSE	1	
26	AT131662	HOSE	1	
28	AT50923	HOSE CLAMP	1	
67	4247609	BRACKET	1	(SUB FOR AT132553)
68	4249743	STRAP	1	(SUB FOR AT132556)
69	19H2716	CAP SCREW	2	3/4" X 1-1/2"
70	12H236	LOCK WASHER	2	3/4"
72	RE35791	CLAMP	1	(SUB FOR AT132494 OR AT117396)
73	AT39141	HOSE CLAMP	2	(SUB FOR TH108308 OR AH104837, THIS APPLICATION)

**<https://www.ebooklibonline.com>**

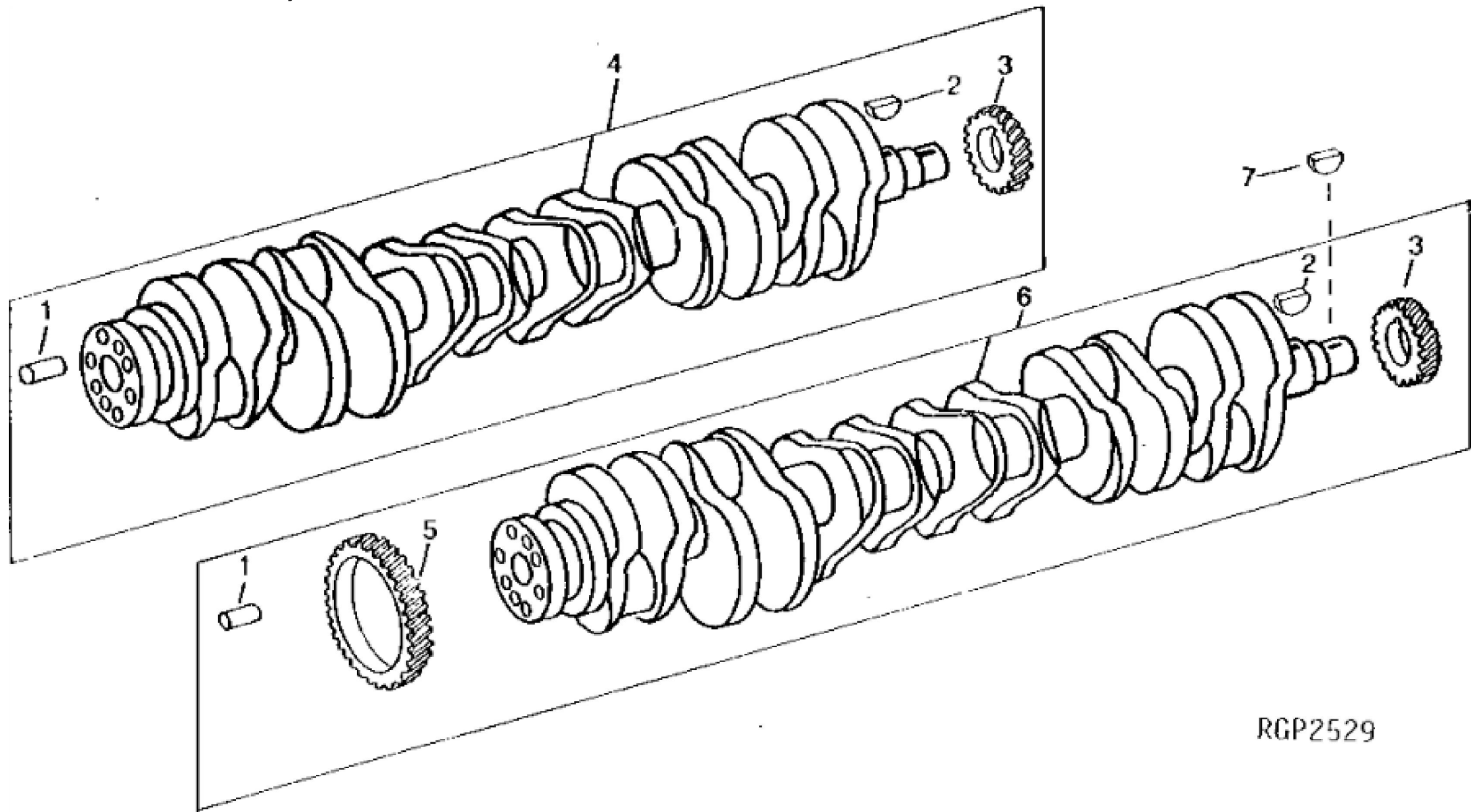
Hello dear friend!

Thank you very much for reading.

Enter the link into your browser.

The full manual is available for immediate download.

**<https://www.ebooklibonline.com>**



RGP2529

KEY	PART NO.	PART NAME	QTY	Engine Serial No.	REMARKS	
1	R60161	DOWEL PIN	AR			
2	26H12	SHAFT KEY	1	____-060732	1/8" X 3/4"	
2	26H72	SHAFT KEY	1	060733-____	1/8" X 5/8"	
3	R35045	GEAR	1			
4	AR72118	CRANKSHAFT	1	____-040631	(MARKED R36350) (SUB AR92533)	
5	R63326	GEAR	1	040632-____	(SUB AR92533, APPL)	
6	AR92533	CRANKSHAFT	1	040632-____	(MARKED R63476, AR78403 OR RE57730)	
7	26H85	SHAFT KEY	1		1/4" X 1"	



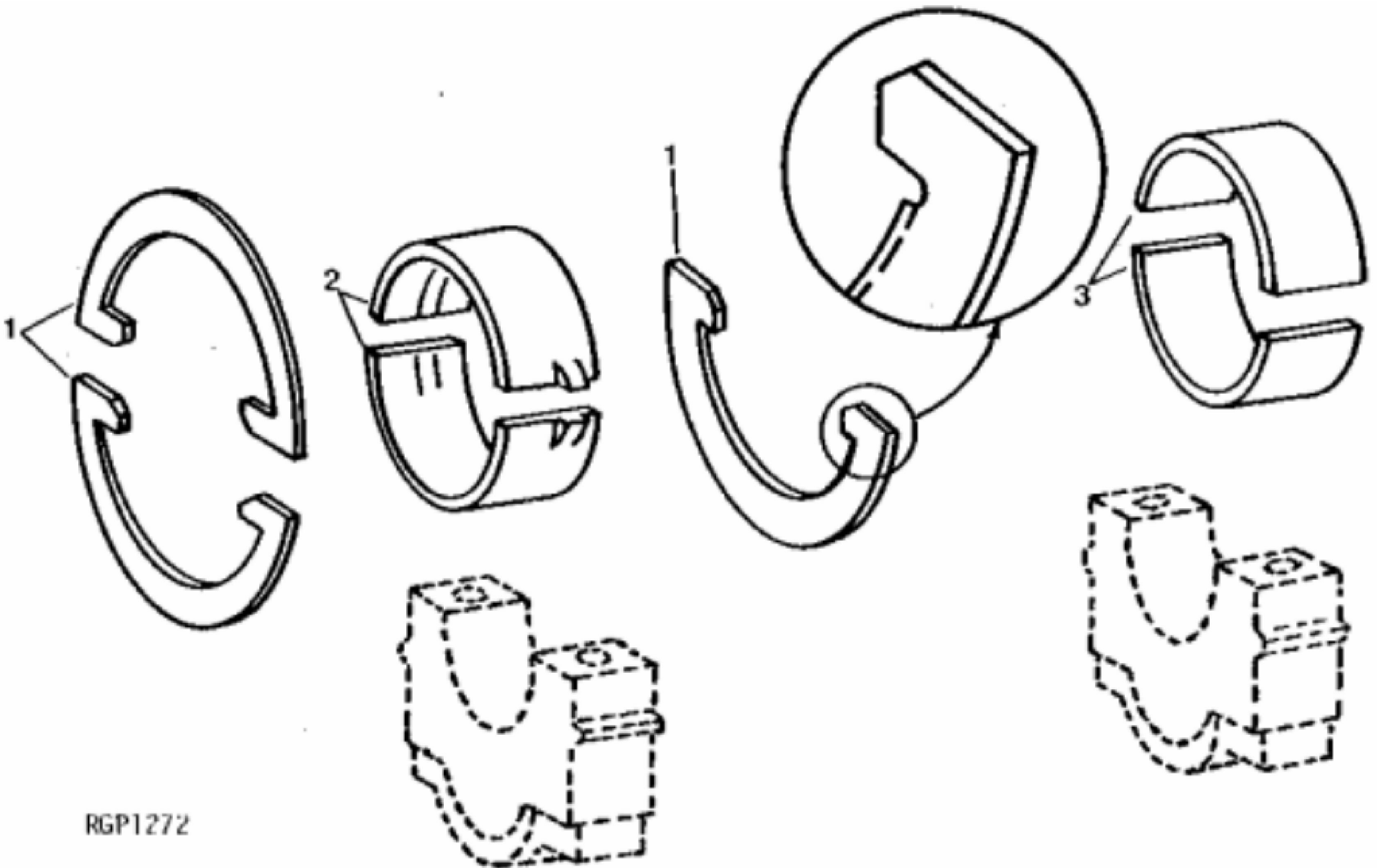
**Suggest:**

**For more complete manuals. Please go to the home page.**

**<https://www.ebooklibonline.com>**

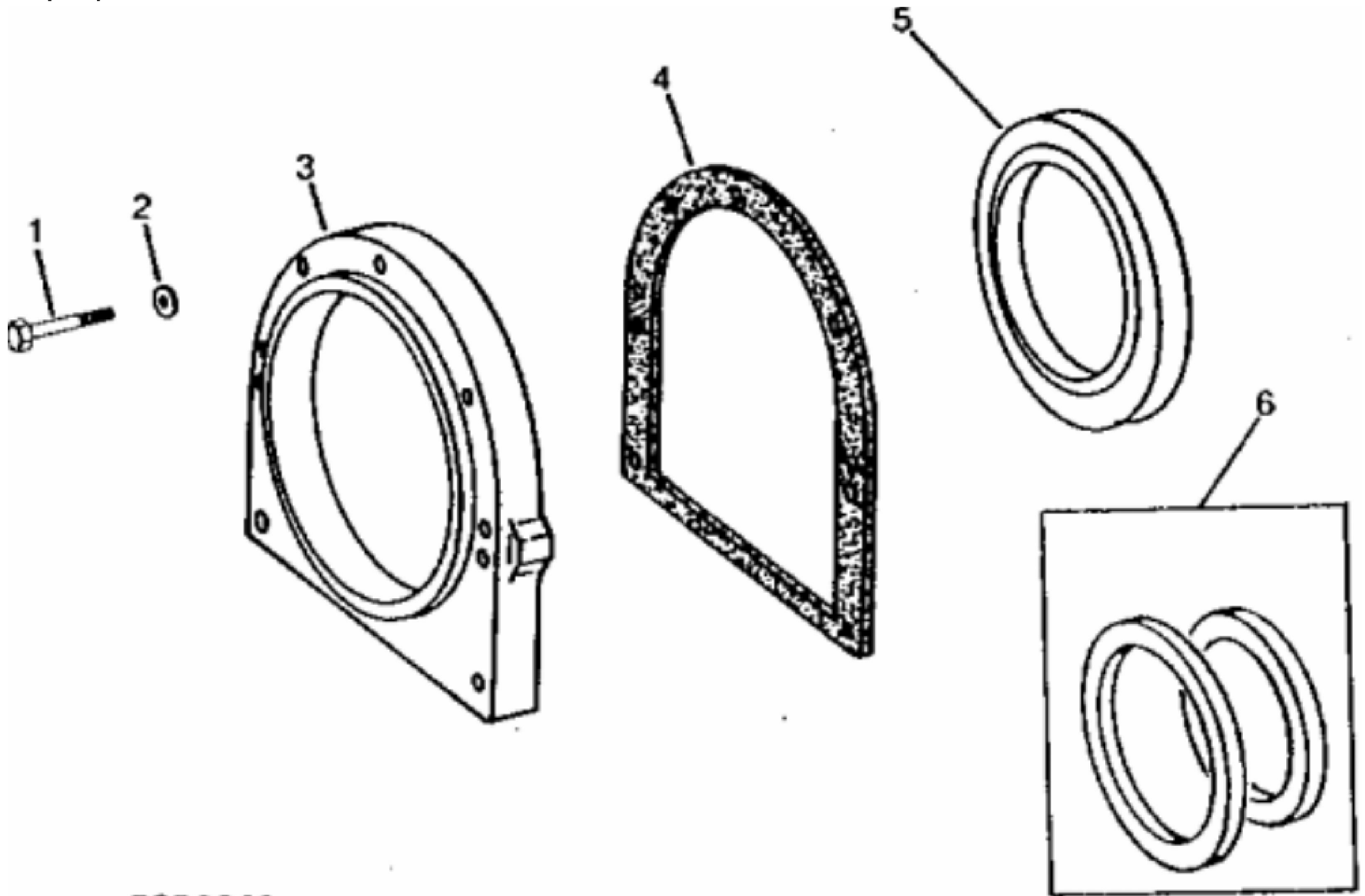
**If the above button click is invalid. Please download this document first, and then click the above link to download the complete manual.**

**Thank you so much for reading**



RGP1272

KEY	PART NO.	PART NAME	QTY	Engine Serial No.	REMARKS
1	AR89622	THRUST WASHER	1		STD (PKG.(3) R62910)
1	AR89971	THRUST WASHER	1		0.18 MM (.007") OS FLANGE (PKG. (2) R69040 AND R62910)
2	AR101398	THRUST BEARING	1	____-045261	STD (PKG R66339 AND R66340 OR R75146 AND R75147) (SUB AR101269)
2	AR101269	THRUST BEARING	1	045262-____	STD (PKG. R74669 AND R74670) (SUB FOR AR101398)
2	AR104125	THRUST BEARING	1		0.05 MM (.002") US, (PKG. R69032 AND R69033, R75157 AND R75158 OR R76641 AND R76642) (SUB FOR AR101399)
2	AR104126	THRUST BEARING	1		0.25 MM (.010") US, (PKG. R69034 AND R69035, R75159 AND R75160 OR R76643 AND R76644) (SUB FOR AR101400)
2	AR104127	THRUST BEARING	1		0.50 MM (.020") US, (PKG. R69036 AND R69037, R75161 AND R75162 OR R76645 AND R76646) (SUB FOR AR101401)
2	AR104128	THRUST BEARING	1		0.75 MM (.030") US, (PKG. R69038 AND R69039, R75163 AND R75164 OR R76647 AND R76648) (SUB FOR AR101402)
3	AR101268	BEARING	AR		STD (PKG. R74667 AND R74668) (SUB FOR AR101393)
3	AR104121	BEARING	AR		0.05 MM (.002") US, (PKG. R52529 AND R60183 OR R75149 AND R75150 OR R76633 AND R76634) (SUB FOR AR73014)
3	AR104122	BEARING	AR		0.25 MM (.010") US, (PKG. R52530 AND R60184, R75151 AND R75152 OR R76635 AND R76636) (SUB FOR AR73015)
3	AR104123	BEARING	AR		0.50 MM (.020") US, (PKG. R52531 AND R60185, R75153 AND R75154 OR R76637 AND R76638) (SUB FOR AR73016)
3	AR104124	BEARING	AR		0.75 MM (.030") US, (PKG. R52532 AND R60186, R75155 AND R75156 OR R76639 AND R76640) (SUB FOR AR73017)



RGP 3941

**<https://www.ebooklibonline.com>**

Hello dear friend!

Thank you very much for reading.

Enter the link into your browser.

The full manual is available for immediate download.

**<https://www.ebooklibonline.com>**