

John Deere > Construction And Forestry >DOZER, CRAWLER >950K - DOZER, CRAWLER >950K Crawler Dozer (PIN: 1T0950K\_\_F310401-) >04B ENGINE 6090HT013-RE553322 >0400B ENGINE 6090HT013-RE553322 6090HT013 >ST751009 - 4611 CYLINDER BLOCK WITH LINERS AND CAMSHAFT

KEY	PART NO.	PART NAME	QTY	REMARKS
1	R504811	WASHER	1	
2	R522884	CAMSHAFT	1	SUB FOR R520366
2	SE501775	CAMSHAFT REMAN	1	REMAN FOR R522884
3	R542281	GEAR	1	SUB FOR R518255
4	R543260	GEAR	1	SUB FOR R528098
5	26H91	SHAFT KEY	1	3/16" X 1-1/4"
6	.....	CYLINDER BLOCK	1	MARKED R534403; ORDER DZ10590
7	R527877	BUSHING	6	
8	R120954	BEARING CAP	1	
9	R120953	BEARING CAP	6	
10	R519287	CAP SCREW	14	
11	R82007	PLUG	1	
12	RE57836	PIPE PLUG	2	
13	RE537640	ENGINE OIL PRESS. SENSOR	1	(Engine Oil Pressure Sensor)
14	RE537634	SENSOR	2	(Magnetic Pick Up Sensor)
15	RE555307	CAM FOLLOWER ROLLER	12	SUB FOR RE540586
16	RE46686	FITTING	2	
17	51M7040	O-RING	2	9.300 X 2.200 mm
18	RE546932	FITTING	2	
19	RE71255	PIPE PLUG	2	
20	AT13740	DRAIN VALVE	1	
21	RE522991	ORIFICE	6	
22	.....	CYLINDER LINER	6	(Order Piston liner Kit)
23	RE541037	O-RING KIT	6	
24	R527468	SHIM	6	
25	DZ10083	PISTON RING	1	

**<https://www.ebooklibonline.com>**

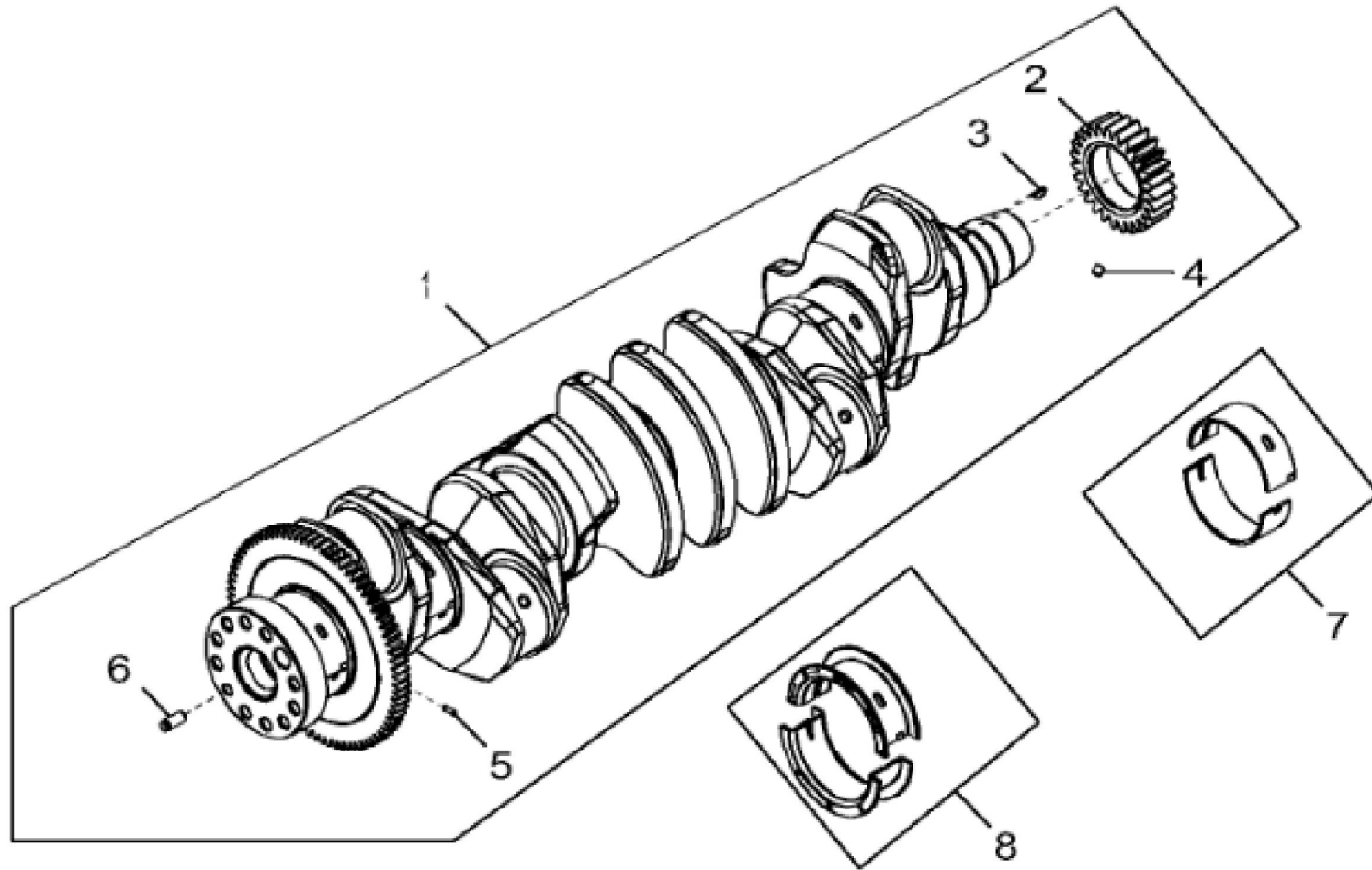
Hello dear friend!

Thank you very much for reading.

Enter the link into your browser.

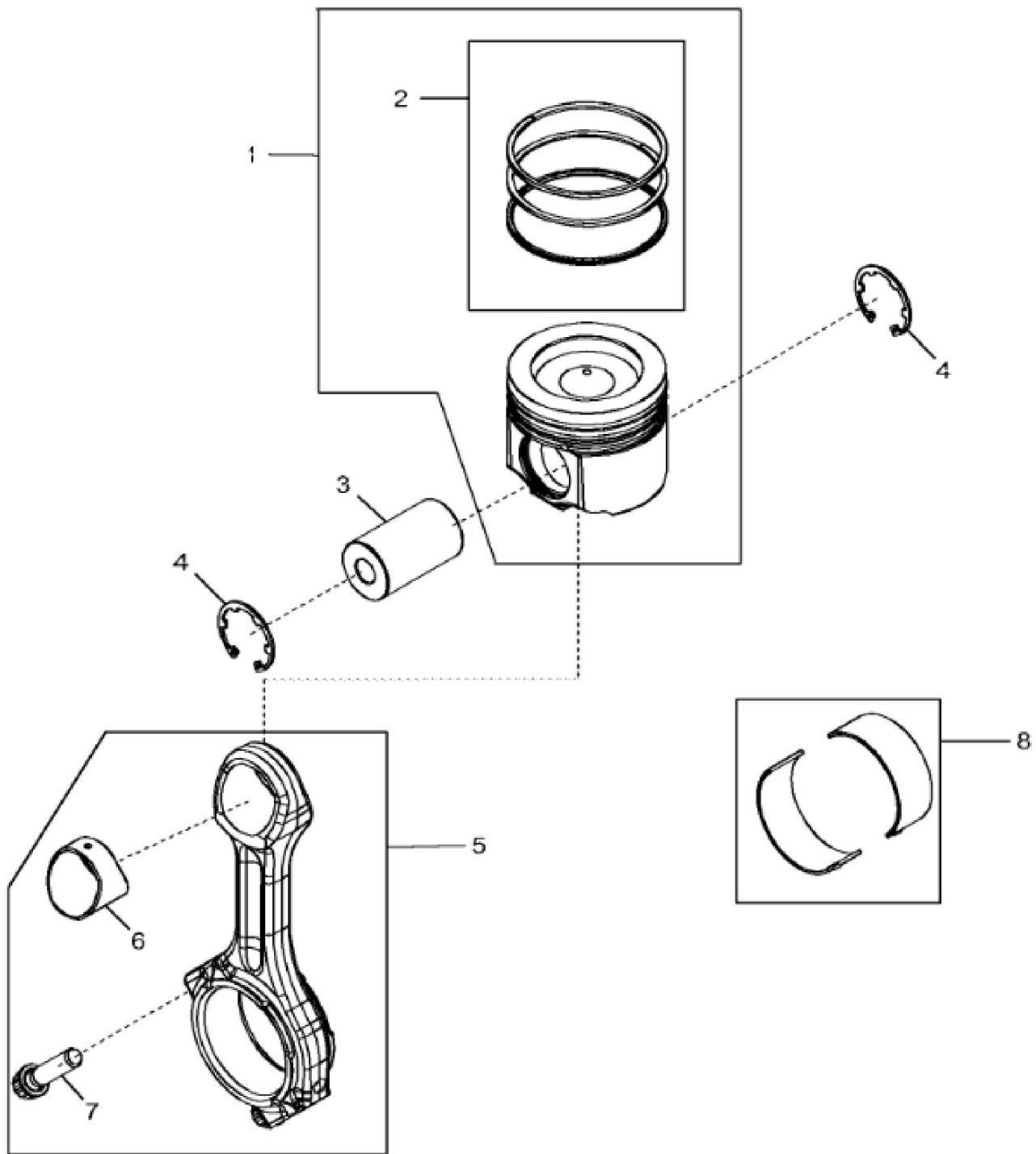
The full manual is available for immediate download.

**<https://www.ebooklibonline.com>**



John Deere > Construction And Forestry >DOZER, CRAWLER >950K - DOZER, CRAWLER >950K Crawler Dozer (PIN: 1T0950K\_\_F310401-) >04B ENGINE 6090HT013-RE553322 >0400B ENGINE 6090HT013-RE553322 6090HT013 >ST120905 - 4702 CRANKSHAFT AND BEARINGS

KEY	PART NO.	PART NAME	QTY	REMARKS	
1	RE565972	CRANKSHAFT	1	MARKED DZ100385; SUB FOR RE548603 OR RE533517	
1	SE502713	CRANKSHAFT REMAN	1	(With Bearings) REMAN FOR RE565972	
2	R543259	GEAR	1		
3	R120752	KEY	1		
4	AT107510	PLUG	6		
5	34M7089	DOWEL PIN	1	4 X 12 mm	
6	44M7036	DOWEL PIN	1		
7	RE529319	BEARING	6		
8	RE529320	THRUST BEARING	1		





**Suggest:**

**For more complete manuals. Please go to the home page.**

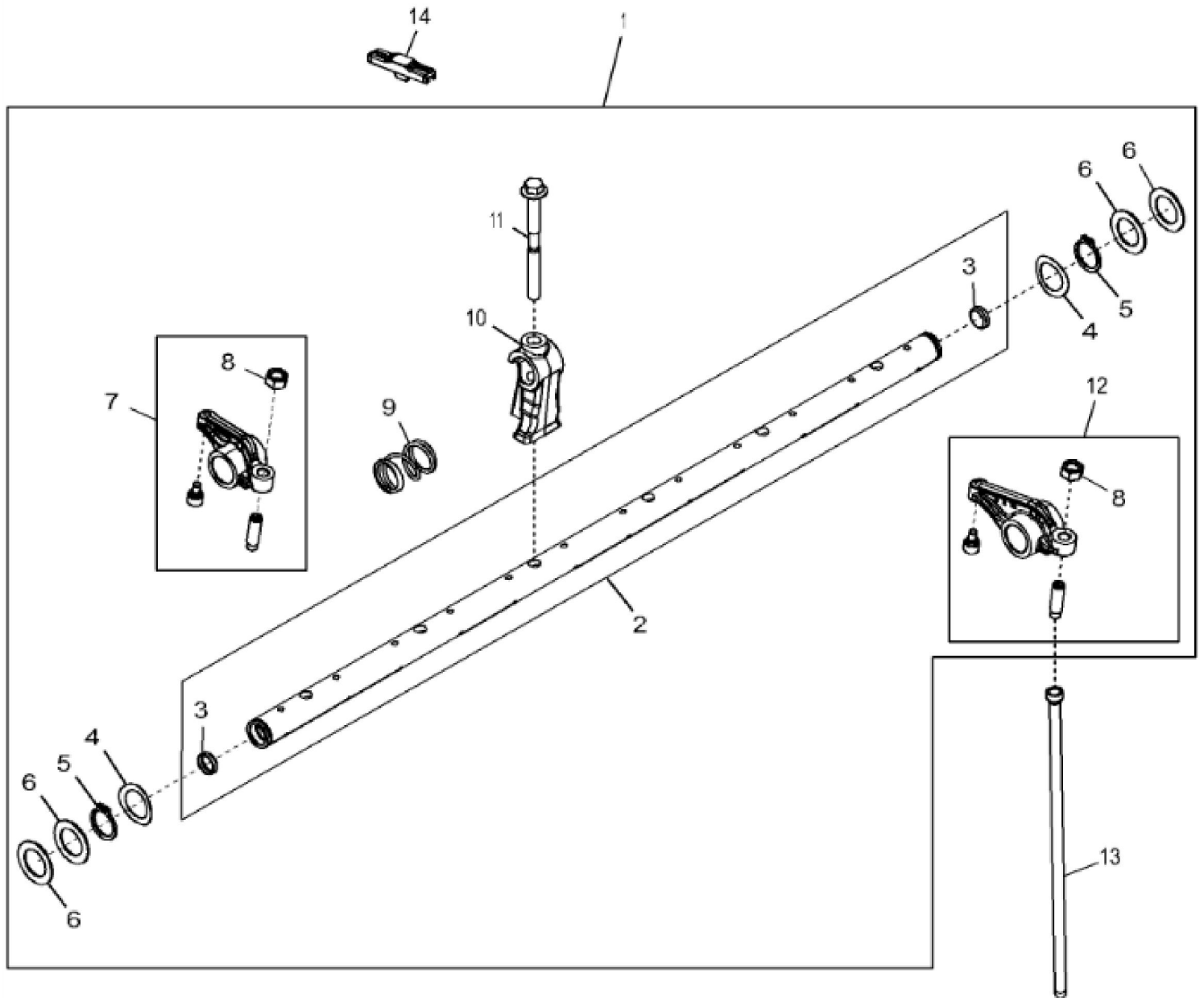
**<https://www.ebooklibonline.com>**

**If the above button click is invalid. Please download this document first, and then click the above link to download the complete manual.**

**Thank you so much for reading**

John Deere > Construction And Forestry >DOZER, CRAWLER >950K - DOZER, CRAWLER >950K Crawler Dozer (PIN: 1T0950K\_\_F310401-) >04B ENGINE 6090HT013-RE553322 >0400B ENGINE 6090HT013-RE553322 6090HT013 >ST746151 - 4805 CONNECTING RODS AND PISTONS

KEY	PART NO.	PART NAME	QTY	REMARKS
1	DZ10207	PISTON-LINER KIT	6	PISTON MARKED RE555132; SUB FOR RE542629
2	DZ10083	PISTON RING	1	SUB FOR RE539642
3	DZ101959	PISTON PIN	6	SUB FOR R517073
4	R519640	SNAP RING	12	
5	RE565318	CONNECTING ROD	6	MARKED DZ100420; SUB FOR RE537877
5	SE502544	CONNECTING ROD REMAN	6	REMAN FOR RE537877 AND RE565318
6	R74008	BUSHING	1	
7	R542878	CAP SCREW	2	SUB FOR R501035
8	RE538581	BEARING	6	



**<https://www.ebooklibonline.com>**

Hello dear friend!

Thank you very much for reading.

Enter the link into your browser.

The full manual is available for immediate download.

**<https://www.ebooklibonline.com>**