

TX1008624

John Deere > Construction And Forestry >DOZER, CRAWLER >950J - DOZER, CRAWLER >950J Crawler Dozer (Worldwide Edition) >04 ENGINE >0404 CYLINDER BLOCK >ST22274 - ENGINE CYLINDER BLOCK AND MAIN BEARING CAPS

KEY	PART NO.	PART NAME	QTY	REMARKS
1	LW10115778	SHORT BLOCK ASSEMBLY	1	SUB FOR LW9073749
2	AT276882	PLUG	5	
3	AT274036	PLUG	12	
4	AT314883	SELF-LOCKING SCREW	2	
5	LW7382203	PIPE PLUG	6	
6	AT266609	PLUG	2	
7	PMH3085	FITTING	2	SUB FOR AT274552 AND LW7362698
7	PMH3831	FITTING	1	
9	LW9074798	PIN FASTENER	12	
16	LW10011832	VALVE	1	
17	AT279935	SEALING RING	1	
20	LW9073745	BUSHING	7	
25	AT275334	BOLT	14	
26	AT275341	SPACER	14	
31	LW10147409	COVER	1	SUB FOR LW10147269, LW9078880 AND LW9076564
32	LW7381361	O-RING	2	
36	19M9448	SCREW	2	M10 X 20

**<https://www.ebooklibonline.com>**

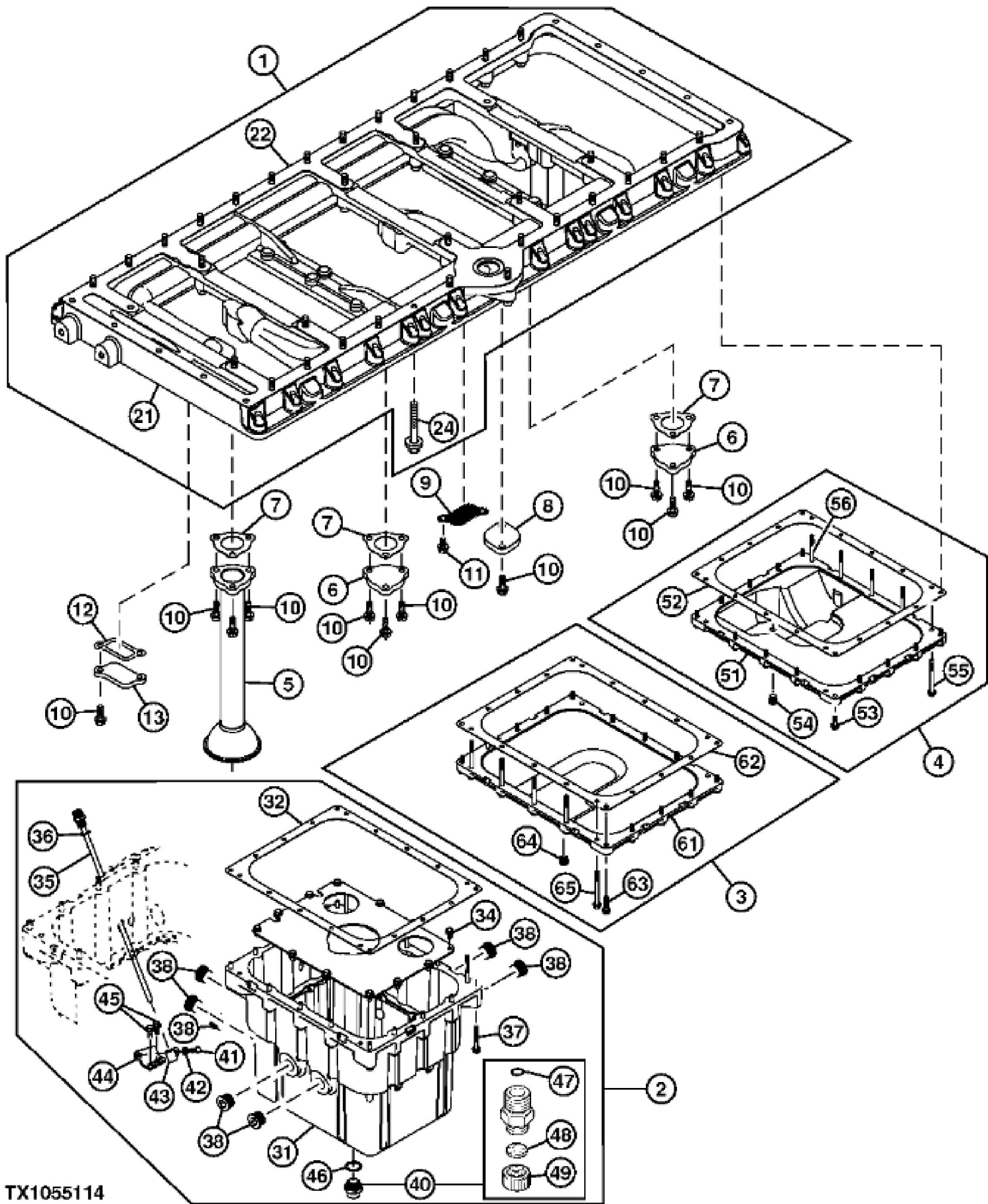
Hello dear friend!

Thank you very much for reading.

Enter the link into your browser.

The full manual is available for immediate download.

**<https://www.ebooklibonline.com>**



TX1055114



**Suggest:**

**For more complete manuals. Please go to the home page.**

**<https://www.ebooklibonline.com>**

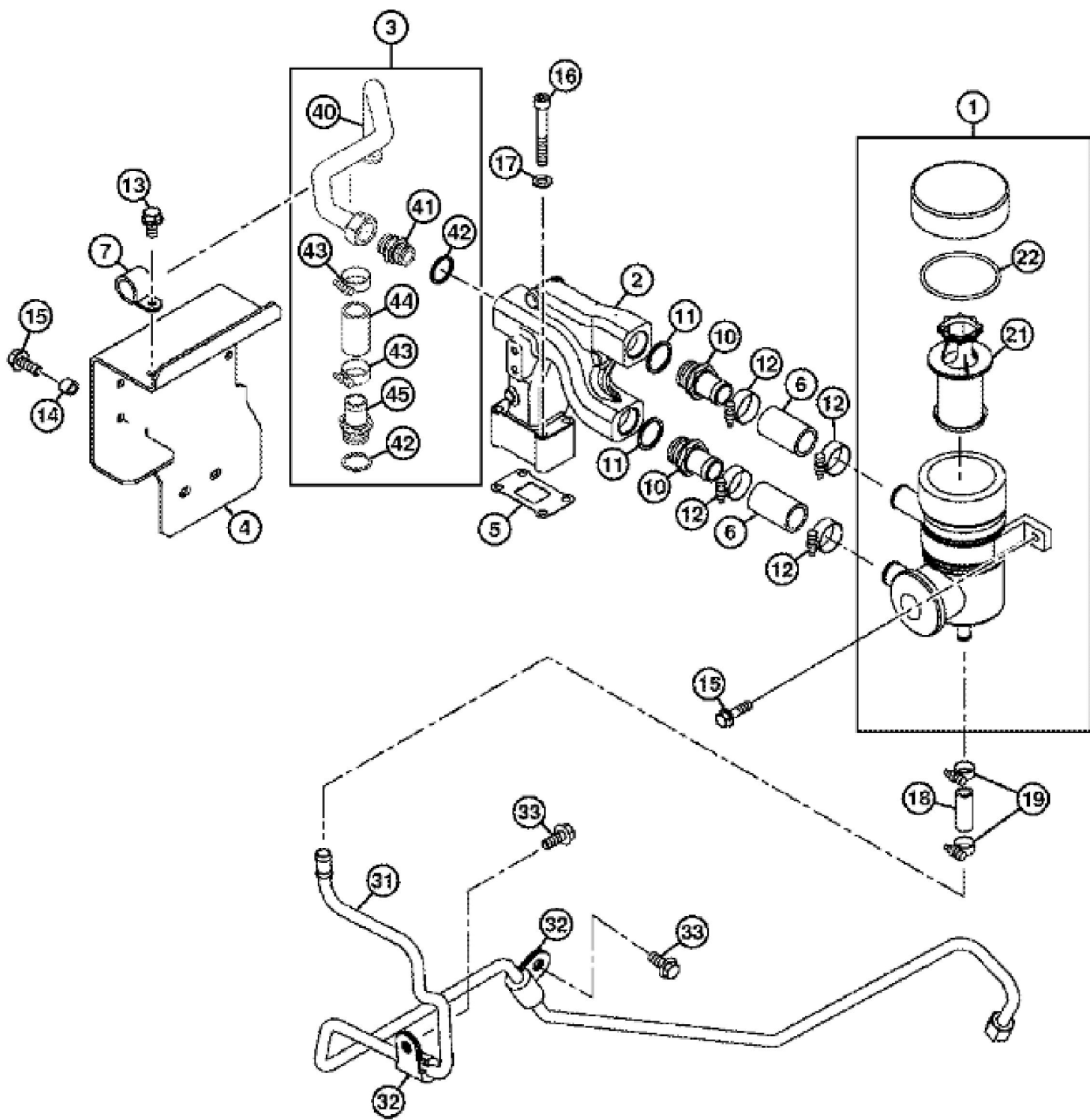
**If the above button click is invalid. Please download this document first, and then click the above link to download the complete manual.**

**Thank you so much for reading**

John Deere > Construction And Forestry >DOZER, CRAWLER >950J - DOZER, CRAWLER >950J Crawler Dozer (Worldwide Edition) >04 ENGINE >0407 ENGINE OILING SYSTEM >ST22275 - ENGINE OIL PAN, DIPSTICK AND TUBE, AND OIL PAN DRAIN VALVE

KEY	PART NO.	PART NAME	QTY	Serial No.	REMARKS
1	LW9079495	FRAME	1		
2	LW9079482	OIL PAN	1		
3	LW9079491	PLATE	1		
4	LW9079958	OIL PAN	1		
5	LW10145779	OIL TUBE	1		NLA, SUB FOR LW9079128
6	LW9079122	COVER	2		
7	LW9079124	GASKET	3		
8	AT311904	COVER	1		
9	LW9079126	STRAINER	1		
10	19M9569	SCREW	13		M8 X 25
11	19M9446	SCREW	2		M8 X 12
12	LW9079125	GASKET	1		
13	LW9079123	COVER	1		
21	LW9079621	FRAME	1	____-XXXXXX	
21	LW10118656	FRAME	1	XXXXXX-____	
22	LW10123734	GASKET	1		SUB FOR LW10118549 AND LW9079557
24	19M8658	SCREW	34	____-XXXXXX	M8 X 60
24	LW10333554	SCREW	34	XXXXXX-____	
25	12M5442	WASHER	34	____-XXXXXX	8.400 X 15 X 0.800 mm
31	LW10123868	OIL PAN	1		SUB FOR LW9079481
32	LW10123735	GASKET	1		SUB FOR LW9079556 AND LW10118551
33	LW9079494	PLATE	1		
34	19M9567	SCREW	12		M8 X 16, SUB FOR LW10005511
35	LW9079845	FITTING	1		
36	AT260902	RING	1		
37	19M10239	SCREW	13		M8 X 65, SUB FOR LW10100304
38	AT320741	DRAIN PLUG	7		
39	LW10017158	SCREW	5		
40	AT218506	DRAIN VALVE	1		
41	19M7923	CAP SCREW	1		M6 X 12
42	24M7088	WASHER	1		6.600 X 12 X 1.600 mm
43	AT274709	CLIP	1		
44	LW9079844	BRACKET	1		
45	19M9443	SCREW	1		M6 X 16, SUB FOR LW407350208

KEY	PART NO.	PART NAME	QTY	Serial No.	REMARKS
46	AT218825	SEALING WASHER	1		
47	R104558	O-RING	1		
48	AT218659	SEALING WASHER	1		
49	AT218722	CAP	1		
51	LW10123873	PLATE	1		SUB FOR LW9079959
52	LW10123735	GASKET	1		SUB FOR LW9079556 AND LW10118551
53	19M7897	SCREW	13		M8 X 35, SUB FOR LW10037518
54	AT266609	PLUG	1		
55	LW10100303	CAP SCREW	5		
56	LW10017158	SCREW	1		SUB FOR LW10011260
61	LW9079555	PLATE	1		
62	LW10123735	GASKET	1		SUB FOR LW9079556 AND LW10118551
63	LW10037518	CAP SCREW	13		
64	AT266609	PLUG	1		
65	..	CAP SCREW	5		



TX1025442

**<https://www.ebooklibonline.com>**

Hello dear friend!

Thank you very much for reading.

Enter the link into your browser.

The full manual is available for immediate download.

**<https://www.ebooklibonline.com>**